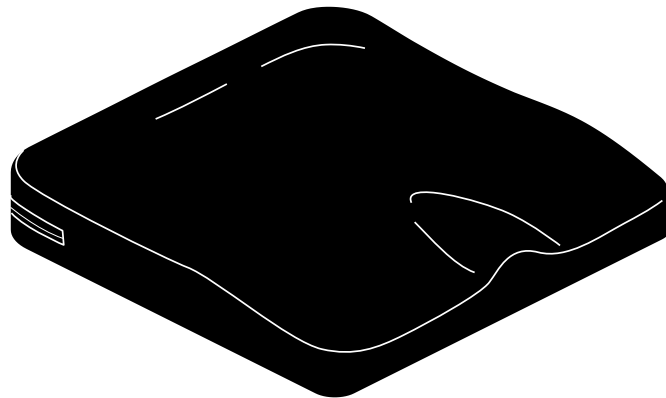


Synergy Structure™

Basic Operation Instructions

ACN# 088 609 661



QUANTUM®
REHAB
INNOVATIVE REHAB SOLUTIONS

A Division of Pride Mobility Products® Corp.

INFORMATION LABELING

The symbols below are used throughout this owner's manual and on the product to identify warnings and important information. It is very important for you to read them and understand them completely.



WARNING! Failure to follow designated procedures can cause either personal injury, component damage, or malfunction (black symbol on yellow triangle with black border).



Read and follow the information in the owner's manual.

TABLE OF CONTENTS

| | |
|--|-----------|
| INTRODUCTION | 4 |
| USE | 6 |
| CLEANING | 7 |
| ASSEMBLING AND ADJUSTING THE POSITIONING COMPONENTS | 8 |
| STORAGE | 10 |
| WARRANTY | 10 |

INTRODUCTION

WELCOME to Quantum Rehab, a division of Pride Mobility Products Corporation (Pride). The product you have purchased combines state-of-the-art components with **safety**, comfort, and styling in mind. We are confident that the design features will provide you with the conveniences you expect during your daily activities. Understanding how to **safely** use and care for this product should bring you years of trouble free operations and service.

Read and follow all instructions, warnings, and notes in this manual and all other accompanying literature before attempting to use this product for the first time. In addition, your **safety** depends upon you, as well as your provider, caretaker, or healthcare professional in using good judgement.

This manual is to be used in addition to the owner's manual that came with your chair. If there is any information in this manual which you do not understand, or if you require additional assistance for setup or operation, please contact your Quantum Rehab Specialist. **Failure to follow the instructions, warnings, and notes in this manual and those located on your Pride product can result in personal injury and/or product damage and will void Pride's product warranty.**

PURCHASER'S AGREEMENT

By accepting delivery of this product, you promise that you will not change, alter, or modify this product or remove or render unusable or unsafe any guards, shields, or other safety features of this product; fail, refuse, or neglect to install any retrofits kits from time to time provided by Pride to enhance or preserve the safe use of this product.

INFORMATION EXCHANGE

We want to hear your questions, comments, and suggestions about this manual. We would also like to hear about the safety and reliability of your new Pride product, and about the service you received from your Quantum Rehab Specialist. Please notify us of any change of address, so we can keep you apprised of important information about safety, new products, and new options that can increase your ability to use and enjoy your Pride product.

Please feel free to contact us at the address below:

Pride Mobility Products Corporation
Attn: Customer Care Department
182 Susquehanna Avenue
Exeter, PA 18643-2694

NOTE: If you ever lose or misplace your product registration card or your copy of this manual, contact us and we will be glad to send you a new one immediately.

My Quantum Rehab Specialist Is:

Name: _____

Address: _____

Phone Number: _____

Purchase Date: _____

USE

The Synergy Structure is labeled to assure proper placement on the chair.



WARNING! Altering the fitting position set by your healthcare professional can lead to pinching, skin abrasions, or bedsores/decubitus ulcers. Maintain the cushion in the prescribed position to ensure safe, comfortable use.

***NOTE:** The Synergy Structure comes with large and small side positioning pieces and soft and firm leg pads. These components are to be arranged by a medical professional before using your cushion. If at any time during use the positioning pieces need to be adjusted, please notify your healthcare provider.*

To place the Synergy Structure on the chair:

1. Locate the “Front Bottom” label on the underside of the cushion.
2. Place the cushion on the seat so that the “Front Bottom” label is located on the front of the seat, label side facing down. The zipper on the cushion will face the rear side of the seat. See figure 1.

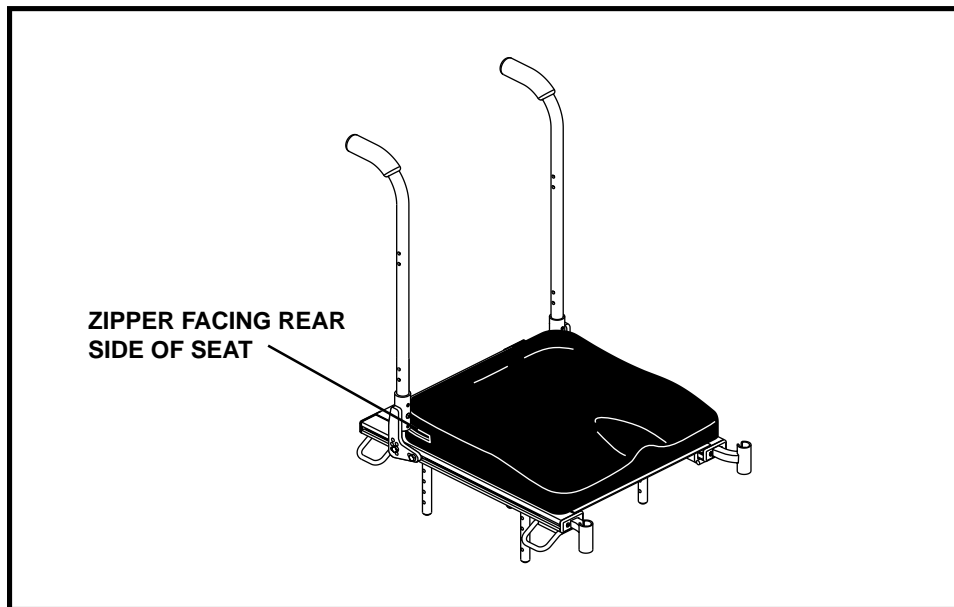


Figure 1. Cushion Placement

CLEANING

The Synergy Structure can be easily cleaned.

To clean the Synergy Structure:

1. Locate the zipper on the rear side of the outer cover. See figure 2.
2. Unzip the outer cover and pull out the inner cushion, which is wrapped in a fluid-resistant cover.
3. Wash the outer cover in a washing machine on the COLD setting.



WARNING! To prevent damage to the seat cover, do not use bleach when cleaning the outer cover.

4. Spray the inner cover with a disinfectant, then wipe it clean.



WARNING! To prevent damage to the inner cushion, do not submerge it in water.

5. Allow both the outer and inner covers to air dry.



WARNING! To prevent shrinking of the outer cover, do not dry it in a clothes dryer.

6. Once both covers are dry, put the inner cushion back inside the outer cover. Zip the outer cover closed, and place the Synergy Structure back onto the seat of your chair.

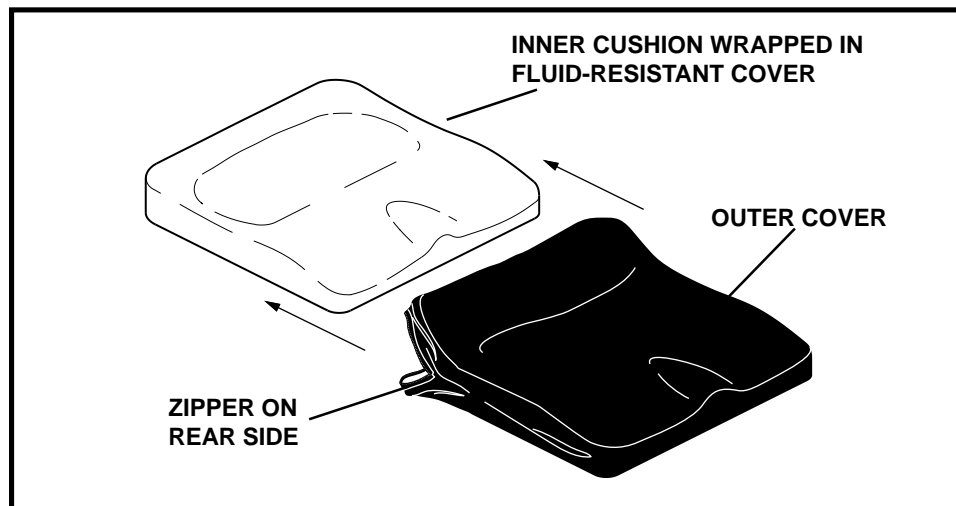


Figure 2. Synergy Structure

ASSEMBLING AND ADJUSTING THE POSITIONING COMPONENTS

NOTE: Pride highly recommends that the Synergy Structure's positioning components be assembled and adjusted by your healthcare professional only. These components are to be arranged by your healthcare professional before using your cushion. Do not attempt to adjust the positioning pieces while sitting on the cushion.

The Synergy Structure arrives unassembled and comes with large and small side positioning pieces and soft and firm leg pads that “stick” to the base with reusable hook and loop fasteners. These can be used in any combination to maximize the user's comfort and can be adjusted as needed.

To assemble the Synergy Structure:

1. Place the positioning pieces and leg pads on the base as needed for maximum therapeutic advantage. See figure 3.
2. Attach the top foam piece in the fabric sleeve to the front of the base, then to the rear of the base. See figure 3.
3. Secure the sides of the top foam piece with the tabs on the fabric sleeve. See figure 3.
4. Place the entire cushion into the inner liner and zip the inner liner closed.
5. Place the cushion into the outer cover and zip the outer cover closed.

To adjust the positioning pieces:

1. Remove the outer and inner covers.
2. Remove the top foam piece from the base.
3. Adjust the positioning pieces as needed.
4. Reassemble the cushion as described above.



WARNING! Should the fabric sleeve encasing the top foam piece need laundering, remove the foam piece and machine wash the fabric sleeve only in cold water. Allow it to air dry before reassembling the cushion. Do not wash the foam piece.

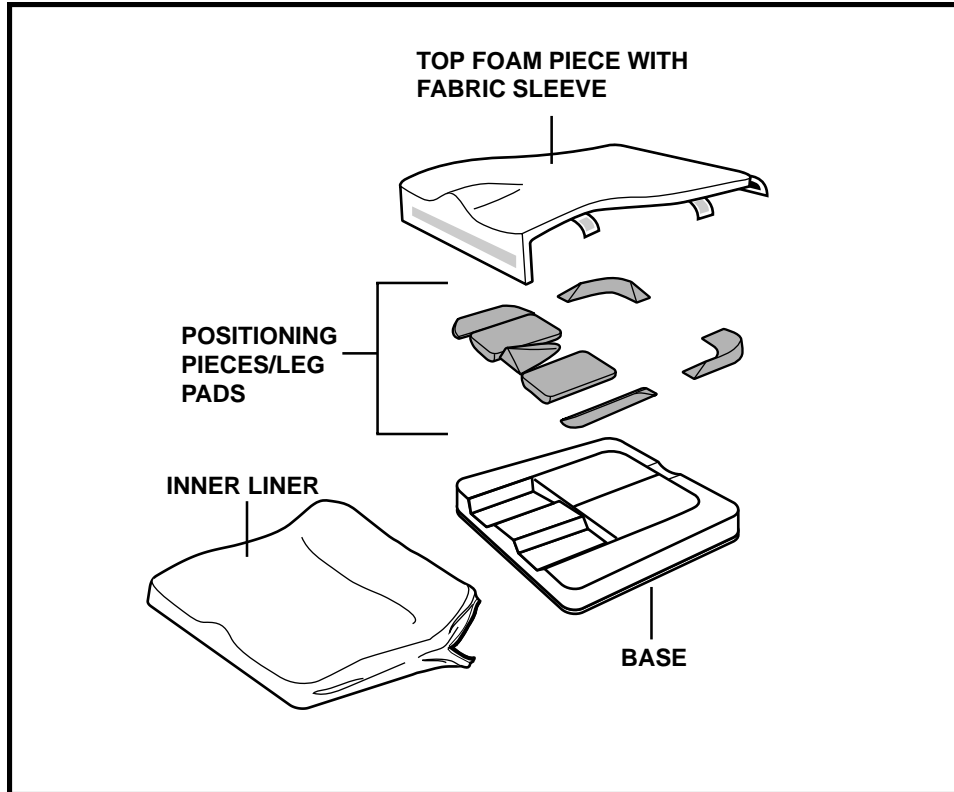


Figure 3. The Structure Cushion, Disassembled (Outer Cover Not Shown)

STORAGE

The Synergy Structure should not be stored in extreme heat or cold temperatures.

WARRANTY

The Synergy Structure cushion is designed and produced to the highest of standards. Our Synergy cushion is guaranteed to be free of defects in material and workmanship for a period of 24 months. If any defect in material or workmanship is found, Pride Mobility Products will repair or replace, at our discretion, the Synergy cushion. This warranty does not apply to cushions abused or misused by the user and deemed such by Pride Mobility Products.

Claims and repairs should be processed through the nearest Quantum Rehab Specialist.

NOTES

QUANTUM[®]

REHAB

INNOVATIVE REHAB SOLUTIONS

A Division of Pride Mobility Products[®] Corp.

www.quantumrehab.com
www.pridemobility.com

Pride Mobility Products Corporation
182 Susquehanna Avenue
Exeter, PA 18643
USA

Pride Mobility Products Company
380 Vansickle Road Unit 350
St. Catharines, Ontario L2R 6P7
Canada

Pride Mobility Products Ltd.
Unit 106, Heyford Park Camp Road
Upper Heyford, Oxfordshire OX25 5HA

Pride Mobility Products Australia Pty. Ltd.
21 Healey Road
Dandenong, 3175
Victoria, Australia

Pride Mobility Products Italia s.r.l.
Via del Progresso-ang. Via del Lavoro
Loc. Prato della Corte
00065 Fiano Romano (RM)

Pride Mobility Products Europe B.V.
Tijnmuiden 28
1046 AL Amsterdam
The Netherlands

Pride