

# SPARKY



OWNER'S MANUAL

**Pride**<sup>®</sup>  
Mobility Products Ltd.  
[www.pridemobility.com](http://www.pridemobility.com)

32 Wedgwood Road Bicester, Oxon OX26 4UL

# SAFETY GUIDELINES



**WARNING! A Quantum Rehab Dealer or a qualified technician must perform the initial setup of this power chair and must perform all of the procedures in this manual.**

The symbols below are used throughout this owner's manual and on the power chair to identify warnings and important information. It is very important for you to read them and understand them completely.



**WARNING! Indicates a potentially hazardous condition/situation. Failure to follow designated procedures can cause either personal injury, component damage or malfunction. On the product, this icon is represented as a black symbol on a yellow triangle with a black border.**



**MANDATORY! These actions should be performed as specified. Failure to perform mandatory actions can cause personal injury and/or equipment damage. On the product, this icon is represented as a white symbol on a blue dot with a white border.**



**PROHIBITED! These actions are prohibited. These actions should not be performed at any time or in any circumstances. Performing a prohibited action can cause personal injury and/or equipment damage. On the product, this icon is represented as a black symbol with a red circle and red slash.**

## Quick Reference Information:

Quantum Rehab Dealer: _____
Address: _____
Phone Number: _____
Purchase Date: _____

*NOTE: This owner's manual is compiled from the latest specifications and product information available at the time of publication. We reserve the right to make changes as they become necessary. Any changes to our products may cause slight variations between the illustrations and explanations in this manual and the product you have purchased. The latest/current version of this manual is available on our website.*



# TABLE OF CONTENTS

<b>I. INTRODUCTION</b> .....	4
<b>II. SAFETY</b> .....	5
<b>III. YOUR POWER CHAIR</b> .....	18
<b>IV. COMFORT ADJUSTMENTS</b> .....	22
<b>V. BATTERIES AND CHARGING</b> .....	30
<b>VI. CARE AND MAINTENANCE</b> .....	34
<b>VII. WARRANTY</b> .....	41

# I. INTRODUCTION

## **SAFETY**

WELCOME to Pride Mobility Products (Pride). The power chair you have purchased combines state-of-the-art components with **safety**, comfort and styling in mind. We are confident that these design features will provide you with the conveniences you expect during your daily activities. Once you understand how to **safely** operate and care for your power chair, it should give you years of trouble-free operation and service.

**Read and follow** all instructions, warnings and notes in this manual before attempting to operate your power chair for the first time. You must also read all instructions, warnings and notes contained in any supplemental instructional booklets for the controller, front riggings and/or seating system that accompanied your power chair before initial operation. Your **safety** depends upon you, as well as your dealer, carer or healthcare professional in using good judgement.

If there is any information in this manual which you do not understand, or if you require additional assistance for setup or operation, please contact your Quantum Rehab Dealer. **Failure to follow the instructions in this manual and those located on your power chair can lead to personal injury and/or damage to the power chair, and may void the warranty.**

## **PURCHASER'S AGREEMENT**

By accepting delivery of this product, you promise that you will not change, alter or modify this product or remove or render inoperable or unsafe any guards, shields or other safety features of this product; fail, refuse or neglect to install any retrofit kits from time to time provided by Pride to enhance or preserve the safe use of this product.

## **SHIPPING AND DELIVERY**

Before using your power chair, make sure your delivery is complete as some components may be individually packaged. If you do not receive a complete delivery, please contact your Quantum Rehab Dealer immediately. Where damage has occurred during transport, either to the packaging or content, please contact the delivery company responsible.

## **INFORMATION EXCHANGE**

We want to hear your questions, comments and suggestions about this manual. We would also like to hear about the safety and reliability of your new power chair, and about the service you received from your Quantum Rehab Dealer.

Please notify us of any change of address, so we can keep you apprised of important information about safety, new products and new options that can increase your ability to use and enjoy your power chair. Please feel free to contact us at the address below:

Pride Mobility Products Ltd.  
32 Wedgwood Road  
Bicester, Oxon OX26 4UL

***NOTE: If you ever lose or misplace your product registration card or your copy of this manual, contact us and we will be glad to send you a new one immediately.***

## II. SAFETY

### PRODUCT SAFETY SYMBOLS

The symbols below are used on the power chair to identify warnings, mandatory actions and prohibited actions. It is very important for you to read and understand them completely.



**Read and follow the information in the owner's manual.**



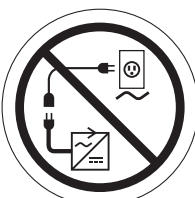
**Do not allow unsupervised children to play near the power chair while the batteries are charging.**



**Maximum seating weight.**



**Keep your hands away from the tyres when driving. Be aware that loose fitting clothing can become caught in drive tyres.**



**Do not connect an extension lead to the AC/DC converter or the battery charger.**



**Avoid exposure to rain, snow, ice, salt or standing water whenever possible. Maintain and store in a clean and dry condition.**



**Removal of grounding prong can create electrical hazard. If necessary, properly install an approved 3-pronged adapter to an electrical outlet having 2-pronged plug access.**

## II. SAFETY



**Battery posts, terminals and related accessories contain lead and lead compounds. Wear goggles and gloves when handling batteries and wash hands after handling.**



**Do not use a cell phone, walkie/talkie, laptop or other radio transmitter while operating.**



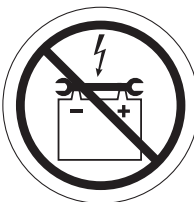
**EMI/RFI—This product has been tested and passed at an immunity level of 20 V/m.**



**Explosive conditions exist!**

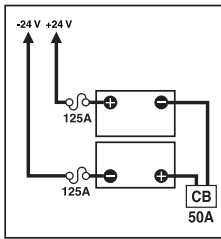


**Use only AGM or Gell-Cell batteries to reduce the risk of leakage or explosive conditions.**



**Keep tools and other metal objects away from battery terminals. Contact with tools can cause electrical shock.**

## II. SAFETY



### Battery Set Configuration:

**+ = Positive (Red) Terminal Post**

**- = Negative (Black) Terminal Post**

**Connect Red wire to Red Positive (+) Terminal Post.**

**Connect Black wire to Black Negative (-) Terminal Post.**



**Do not use batteries with different amp-hour (Ah) capacities. Do not mix old and new batteries. Always replace both batteries at the same time.**



**Pinch/Crush point created during assembly.**



**Do not place power chair in freewheel mode on a decline.**



**Do not place power chair in freewheel mode on an incline.**



**Do not remove anti-tip wheel.**



**No step. No standing. Keep off!**



**Battery charger for indoor use only.**

## II. SAFETY



**Disposal and recycling—Contact your Quantum Rehab Dealer for information on proper disposal and recycling of your Pride product and its packaging.**



**Locked and in drive mode, D = Drive**

**Place unit on level ground and stand to one side when changing from drive mode to freewheel mode or freewheel mode to drive mode.**

**Unlocked and in freewheel mode, N = Neutral**



**Corrosive chemicals contained in battery.**



**Indicates that tested and approved power chair, with similarly labeled tested and approved seating system, conforms to ISO 7176-19 for transport of an occupied power chair in a motor vehicle.**



**Indicates power chair securement points.**



**Indicates electrical shock hazard.**



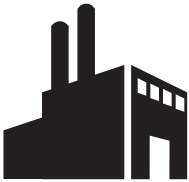
# II. SAFETY



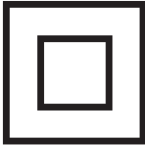
**Do not mix AGM or Gel-Cell batteries. Always use batteries of the same type and chemistry.**



**Indicates flammable material. Do not expose to heat sources such as open flame or sparks. Do not transport batteries with flammable or combustible items.**



**Manufactured in**



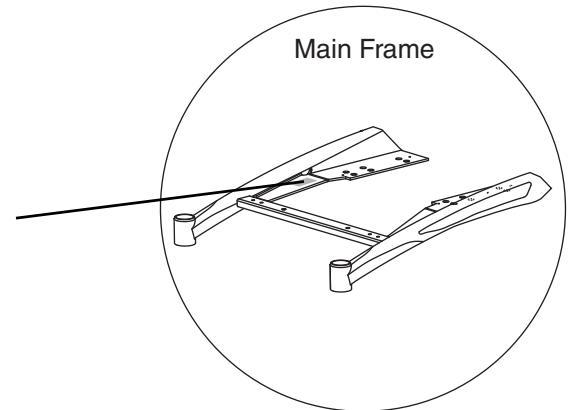
**Class II Equipment.**

PART NO.			
D R V A S M B X X X X			
SERIAL NO.			
S E R I A L N U M B E R			
VENDER NO XXXXXXXX	22.5VDC	WATTS CONTINUOUS 450 W	WATTS PEAK 800 W
INSULATION CLASS F	IP44 RoHS APPROVED	MOTOR TYPE (PMDC)	CE

**Motor rating information label**

Model:	Model XXXXXX
Manufacturer:	Pride Mobility Products Corp. www.pridemobility.com
Maximum Speed:	X.XX km/h (X.X mph)
Maximum User Weight:	XXX kg. (XXX lbs.)
Unit Weight (Unloaded):	XXX.XX kg. (XXX lbs.)
Maximum Angle Capacity:	XX.X% (XX°)
Maximum Allowable Incline:	XX.X% (X°)

**Power chair information label**



**Main Frame**

## II. SAFETY

### GENERAL GUIDELINES



**MANDATORY! Do not operate your new power chair for the first time without completely reading and understanding this owner's manual.**

Your power chair is a state-of-the-art life-enhancement device designed to increase mobility. Pride provides an extensive variety of products to best fit the individual needs of the power chair user. Please be aware that the final selection and purchasing decision regarding the type of power chair to be used is the responsibility of the power chair user, who is capable of making such a decision, and his/her healthcare professional (i.e., medical doctor, physical therapist, etc.).

The contents of this manual are based on the expectation that a mobility device expert has properly fitted the power chair to the user and has assisted the prescribing healthcare professional and/or the Quantum Rehab Dealer in the instruction process for the use of the product.

There are certain situations, including some medical conditions, where the power chair user will need to practice operating the power chair in the presence of a trained attendant. A trained attendant can be defined as a family member or care professional specially trained in assisting a power chair user in various daily living activities.

As you begin using your power chair during daily activities, you will probably encounter situations in which you will need some practice. Simply take your time and you will soon be in full and confident control as you manoeuvre through doorways, on and off of elevators, up and down ramps and over moderate terrain.

Below are some precautions, tips and other safety considerations that will help you become accustomed to operating your power chair safely.

### Modifications

Pride has designed and engineered your power chair to provide maximum mobility and utility. A wide range of accessories are available from your Quantum Rehab Dealer to further customise your power chair to better suit your needs and/or preferences. However, under no circumstances should you modify, add, remove or disable any feature, part or function of your power chair.



**WARNING! Do not modify your power chair in any way not authorised by Pride. Do not use accessories if they have not been tested or approved for Pride products.**

### Pre-Ride Safety Check

Get to know the feel of your power chair and its capabilities. Pride recommends that you perform a safety check before each use to make sure your power chair operates smoothly and safely.

### Perform the following inspections prior to using your power chair:

- Check for proper tyre inflation. Maintain but do not exceed the psi/bar/kPa air pressure rating indicated on each tyre if equipped with pneumatic tyres.
- Check all electrical connections. Make sure they are tight and not corroded.
- Check all controller connections to the power base. Make sure they are secured properly.
- Check the brakes. See VI. "Care and Maintenance."
- Check battery charge. See V. "Batteries and Charging."

**NOTE: If you discover a problem, contact your Quantum Rehab Dealer for assistance.**

## II. SAFETY

### Weight Limitations

Your power chair is rated for a maximum weight capacity. Please refer to the specifications table for this limit. Keep in mind that the maximum weight capacity includes the combined weight of the user and any accessories mounted to the power chair.



**MANDATORY!** Stay within the specified weight capacity of your power chair. Exceeding the weight capacity voids your warranty. Pride will not be held responsible for injuries and/or property damage resulting from failure to observe weight limitations.



**WARNING!** Do not carry passengers on your power chair. Carrying passengers on your power chair may affect the centre of gravity, resulting in a tip or a fall.

### Tyre Inflation

If your power chair is equipped with pneumatic tyres, you should check or have the air pressure checked regularly. Proper inflation pressures will prolong the life of your tyres and help ensure the smooth operation of your power chair.



**WARNING!** It is important that the psi/bar/kPa air pressure rating indicated on each tyre be maintained in pneumatic tyres at all times. Do not underinflate or overinflate your tyres. Low pressure may result in loss of control, and overinflated tyres may burst. Failure to maintain the psi/bar/kPa air pressure rating indicated on pneumatic tyres at all times may result in tyre and/or wheel failure.

**WARNING!** Inflate your power chair drive tyres from a regulated air source with an available pressure gauge. Inflating your tyres from an unregulated air source could overinflate them, resulting in a burst tyre.

**NOTE:** If the tyre on your power chair lists the psi rating only, use the following conversion formulas to find the bar or kPa rating:  $\text{bar} = \text{psi} \times 0.06895$ ;  $\text{kPa} = \text{psi} \times 6.89476$ .

### Incline Information

More and more buildings have ramps with specified degrees of inclination, designed for easy and safe access. Some ramps may have turning switchbacks (180-degree turns) that require you to have good cornering skills on your power chair.

- Proceed with extreme caution as you approach the downgrade of a ramp or other incline.
- Take wide swings with your power chair's front wheels around any tight corners. If you do that, the power chair's rear wheels will follow a wide arc, not cut the corner short and not bump into or get hung up on any railing corners.
- When driving down a ramp, keep the power chair's speed adjustment set to the slowest speed setting to ensure a safely controlled descent.
- Avoid sudden stops and starts.

When climbing an incline, try to keep your power chair moving. If you must stop, start up again slowly and then accelerate cautiously. When driving down an incline, set your power chair to the slowest speed setting and drive in the forward direction only. If your power chair starts to move down the incline faster than you anticipated or desired, allow it to come to a complete stop by releasing the joystick, then push the joystick forward slightly to ensure a safely controlled descent.



**WARNING!** When on any sort of an incline or decline, never place the power chair in freewheel mode while seated on it or standing next to it.

**WARNING!** When climbing an incline, do not zigzag or drive at an angle up the face of the incline. Drive your power chair straight up the incline. This greatly reduces the possibility of a tip or a fall. Always exercise extreme caution when negotiating an incline.



**WARNING!** You should not travel up or down a potentially hazardous incline (i.e., areas covered with snow, ice, cut grass or wet leaves).

**WARNING!** Never travel down an incline rearward. Doing so may cause the power chair to tip. Always exercise extreme caution when negotiating an incline.

## II. SAFETY

**WARNING! If your power chair is equipped with a reclining seatback, do not attempt to negotiate inclines with the seat in a reclined position. Do not attempt to negotiate obstacles with the seat in a reclined position unless an attendant is present to help stabilise the chair. Failure to heed could result in the power chair tipping over.**



**WARNING! Even though your power chair is capable of climbing slopes greater than those illustrated in figure 1, do not, under any circumstances, exceed the incline guidelines or any other specifications presented in this manual. Doing so could cause instability in your power chair.**

Pride recommends that the maximum slope of an incline you attempt to safely ascend or descend on your power chair does not exceed 10.5% (6°). See figure 1.



**WARNING! Any attempt to climb or descend a slope steeper than 10.5% (6°) may put your power chair in an unstable position and cause it to tip.**

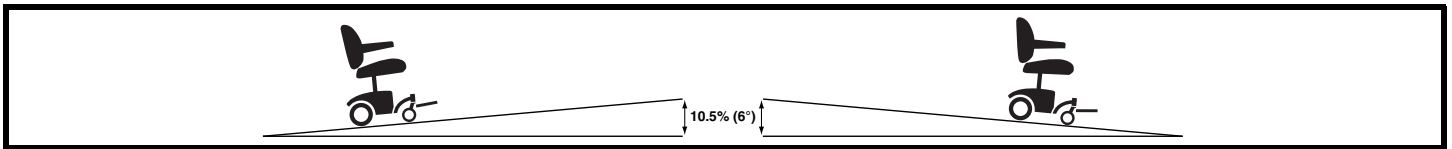


Figure 1. Maximum Recommended Safe Slope (Ascending and Descending)

### Freewheel Mode

Your power chair is equipped with two manual freewheel levers to allow for manual manoeuvrability by a trained attendant. For more information about how to place your power chair into and out of freewheel mode, see III. “Your Power Chair.”

**WARNING! Do not use your power chair in freewheel mode without an attendant present.**



**WARNING! Do not attempt to personally place your power chair in freewheel mode while seated on it. Ask an attendant for assistance if necessary.**

**WARNING! Pride recommends that you do not disconnect the batteries when the power chair is in freewheel mode as this may interfere with the function of the controller.**



**WARNING! Do not place your power chair in freewheel mode while on an incline or decline. This could cause the chair to roll uncontrollably on its own.**

### Braking Information

Your power chair is equipped with two powerful brake systems:

- Regenerative—uses electricity to rapidly slow the vehicle when the joystick returns to the centre/stop position.
- Disc Park Brake—activates mechanically after regenerative braking slows the vehicle to near stop, or when power is removed from the system for any reason.

### Cornering Information

While your power chair is equipped with front castor wheels and rear anti-tip wheels, excessively high cornering speeds can still create the possibility of tipping. Factors which affect the possibility of tipping include, but are not limited to: cornering speed, steering angle (how sharply you are turning), uneven road surfaces, inclined road surfaces, riding from an area of low traction to an area of high traction (such as passing from a grassy area to a paved area—especially at high speed while turning) and abrupt directional changes. High cornering speeds are not recommended. If you feel that you may tip over in a corner, reduce your speed and steering angle (i.e., lessen the sharpness of the turn) to prevent your power chair from tipping.



**WARNING! When cornering sharply, reduce your speed and maintain a stable centre of gravity. This greatly reduces the possibility of a tip or fall.**

## II. SAFETY

### Public Streets and Roadways



**WARNING!** You should not operate your power chair on public streets and roadways. Be aware that it may be difficult for traffic to see you when you are seated on your power chair. Obey all local pedestrian traffic rules. Wait until your path is clear of traffic, and then proceed with extreme caution.

### Outdoor Driving Surfaces

Your power chair is designed to provide optimum stability under normal driving conditions—dry, level surfaces composed of concrete, blacktop or tarmac. However, Pride recognises that there will be times when you will encounter other surface types. For this reason, your power chair is designed to perform admirably on packed soil, grass and gravel. Feel free to use your power chair safely on lawns and in park areas.

- Avoid driving on uneven terrain and/or soft surfaces.
- Avoid tall grass that can entangle the running gear.
- Avoid loosely packed gravel and sand.
- Do not use your power chair in fresh or salt water.
- Do not use your power chair at the edge of a stream, lake or ocean.
- If you feel unsure about a driving surface, avoid that surface.

### Inclement Weather Precautions

Exposure of your power chair to inclement weather conditions should be avoided whenever possible. If suddenly caught up in rain, snow, severe cold or heat while operating your power chair, proceed to shelter at the earliest opportunity. Thoroughly dry your power chair before storing, charging or operating your power chair.



**PROHIBITED!** Operating in rain, snow, salt, mist/spray conditions and on icy/slippery surfaces can have an adverse effect on the electrical system. Maintain and store your power chair in a dry and clean condition.



**WARNING!** Prolonged exposure to hot or cold conditions may affect the temperature of upholstered and non-upholstered items on the power chair, possibly resulting in skin irritation. Exercise caution when using the power chair in extremely hot or cold conditions or when exposing your power chair to direct sunlight for prolonged periods of time.

### Stationary Obstacles (Steps, Kerbs, etc.)

Proceed with extreme caution when driving near raised surfaces, unprotected ledges and/or drop-offs (kerbs, porches, stairs, etc.). Be sure your power chair is traveling perpendicular to any kerb you may be required to navigate. See figure 2.

#### To navigate up over a kerb or stationary obstacle:

1. Approach the kerb or obstacle slowly, and make sure the power chair is traveling perpendicular to the obstacle. See figure 2.
2. Increase the forward speed just before the front wheels come in contact with the obstacle.
3. Reduce the forward speed only after the rear wheels have cleared the obstacle.

#### To navigate down a kerb or stationary obstacle:

1. Approach the kerb or obstacle slowly, and make sure the power chair is traveling perpendicular to the obstacle. See figure 2.
2. Reduce the forward speed just before the front wheels come in contact with the obstacle.
3. Increase the forward speed only after the rear wheels have cleared the obstacle and you are once again on a level surface.



**WARNING!** Even though your power chair may be capable of handling greater obstacles, Pride recommends that you do not attempt to negotiate a kerb that has a height greater than 5 cm (2 in.). Doing so could cause instability in your power chair.

**WARNING!** Do not attempt to have your power chair proceed rearward down any step, kerb or other obstacle. This may cause the power chair to tip.

## II. SAFETY

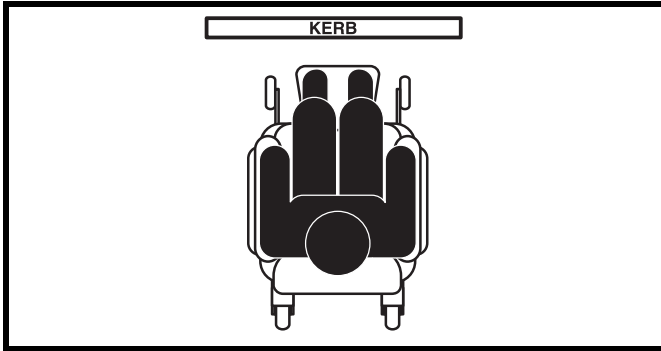


Figure 2. Correct Kerb Approach

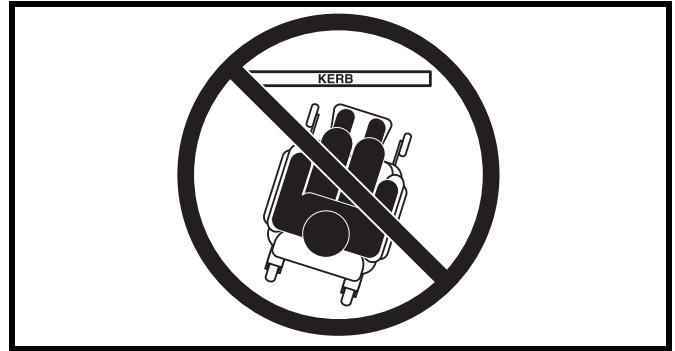


Figure 3. Incorrect Kerb Approach

### Stairs and Escalators

Power chairs are not designed to travel up or down stairs or escalators. Always use a lift.



**WARNING! Never use your power chair to negotiate steps or escalators.**

### Doors

- Determine if the door opens toward or away from you.
- Drive your power chair gently and slowly forward to push the door open. Or drive your power chair gently and slowly rearward to pull the door open.

### Lifts

Modern lifts have a door edge safety mechanism that, when pushed, reopens the lift door(s).

- If you are in the doorway of a lift when the door(s) begin to close, push on the rubber door edge or allow the rubber door edge to contact the power chair and the door will reopen.
- Use care that handbags, packages or power chair accessories do not become caught in lift doors.

### Lift Systems/Elevation Products

If you will be transporting your power chair during travel, you may find it necessary to use a vehicle-mounted lift system or elevation product to aid in transportation. Pride recommends that you closely review the warnings, instructions, specifications and safety information set forth by the manufacturer of the lift/elevation product before using that product.

**WARNING! Not all lift systems/elevation products are rated for use with an occupied mobility device. Pride recommends that you do not remain seated in your power chair when it is being used in connection with any type of lift system/elevation product unless:**

- That product is rated for occupied use by the manufacturer.
- You are able to occupy your mobility device in strict conformity with the warnings, instructions, specifications and safety guidelines set forth by the manufacturer.



**WARNING! Always turn off the power to the controller when you are being transferred via an elevation product. Failure to do so may result in accidental joystick contact, resulting in unintended movement and personal injury or product damage.**

### Motor Vehicle Transport

Pride recommends that you do not remain seated in your power chair while traveling in a motor vehicle. The power chair should be stowed in the boot of a car or in the back of a truck or van with the batteries removed and/or properly secured. In addition, all removable power chair parts, including the armrests, seat, front riggings, controller and shrouds should be removed and/or properly secured during motor vehicle transport. If your power chair is equipped with a transit securement system, refer to III. "Your Power Chair" and the supplement provided with your power chair for additional information regarding your power chair in a motor vehicle.

## II. SAFETY

**WARNING!** Pride does not recommend using the power chair as a seat in a motor vehicle. The power chair user should transfer into the vehicle seat and use the vehicle-installed belt restraint system if and whenever feasible. If the power chair is equipped with a manufacturer-installed transit securement system, please refer to the supplemental safety information provided with your power chair.



**WARNING:** Ensure power chairs equipped with a transit securement system are properly secured to the motor vehicle during transport. Power chairs that are not properly secured can become a hazard to the user and to other vehicle passengers in the event of a crash, sudden stopping or swerving, as the power chair could tip or slide out of place.

**WARNING!** Always be sure your power chair and its batteries are properly secured when it is being transported. Batteries should be secured in an upright position and protective caps should be installed on the battery terminals. Batteries should not be transported with any flammable or combustible items.

### Positioning Belts

Your Quantum Rehab Dealer, therapist(s) and other healthcare professionals are responsible for determining your requirement for a positioning belt in order to operate your power chair safely. The positioning belt is not designed for use as a restraining device in a motor vehicle. You should be properly belted into seats approved by the vehicle manufacturer with your power chair properly stowed for vehicle transport or secured using an optional transit securement system.

Positioning belts should be installed as detailed in this manual. See IV. “Comfort Adjustments.” Once installed, the belt should be placed across the pelvis as determined by your healthcare provider. Anchor points of the positioning belts should be located so that a projected side-view angle of the pelvis is between 45°-75° of horizontal depending on the user’s weight, posture and seat cushion thickness.

**WARNING!** If you require a positioning belt to safely operate your power chair, make sure it is fastened securely in order to reduce the possibility of a fall from the power chair.



**WARNING!** The positioning belt is not designed for use as a seat belt in a motor vehicle. Nor is your power chair suitable for use as a seat in any vehicle. Anyone traveling in a vehicle should be properly belted into seats approved by the vehicle manufacturer. If the power chair is equipped with a manufacturer-installed transit securement system, please refer to the supplemental safety information provided with your power chair.

### Batteries

In addition to following the warnings below, be sure to comply with all other battery handling information. For more information about your power chair’s batteries, see V. “Batteries and Charging.”



**MANDATORY!** Battery posts, terminals and related accessories contain lead and lead compounds. Wear goggles and gloves when handling batteries and wash hands after handling.

**WARNING!** Power chair batteries are heavy. See specifications table. If you are unable to lift that much weight, be sure to get help. Use proper lifting techniques and avoid lifting beyond your capacity.



**WARNING!** Always protect the batteries from freezing and never charge a frozen battery. Charging a frozen battery may result in damage to the battery.

**WARNING!** Connect the battery harnesses in the proper manner. RED (+) cables must be connected to positive (+) battery terminals/posts. BLACK (-) cables must be connected to negative (-) battery terminals/posts. Protective caps should be installed over all battery terminals. REPLACE cables immediately if damaged.

### Removable Parts



**WARNING!** Do not attempt to lift or move a power chair by any of its removable parts, including the armrests, seat, front riggings, controller and shrouds. Pride recommends use of only solid, non-removable frame components to lift or move your power chair.



## II. SAFETY

### Preventing Unintended Movement



**WARNING!** If you anticipate being seated in a stationary position for an extended period of time, turn off the power. This will prevent unexpected motion from inadvertent joystick contact. This will also eliminate the possibility of unintended chair movement from electromagnetic (EM) sources.

### Reaching and Bending

Never reach, lean or bend while driving your power chair. If it is absolutely necessary to reach, lean or bend while seated on your power chair, it is important to maintain a stable centre of gravity and keep the power chair from tipping. Pride recommends that the power chair user determine his/her personal limitations and practice bending and reaching in the presence of a qualified healthcare professional.



**WARNING!** Do not bend, lean or reach for objects if you have to pick them up from the floor by reaching down between your knees or if you have to reach over the back of the seat. Movements such as these may change your centre of gravity and the weight distribution of the power chair. This may cause your power chair to tip.



**PROHIBITED!** Keep your hands away from the tyres when driving. Be aware that loose fitting clothing can become caught in drive tyres.

### Transfers

Transferring onto and off of your power chair requires a good sense of balance. Always have an attendant or healthcare professional present while learning to properly transfer yourself.

To eliminate the possibility of injury, Pride recommends that you or a trained attendant perform the following tasks before attempting a transfer:

- Turn off the power to the controller.
- Ensure your power chair is not in freewheel mode. See III. “Your Power Chair.”
- Turn the castor wheels toward the transfer destination to improve power chair stability during transfer.
- Make sure both armrests are flipped up or removed from your power chair.
- Move the leg rests aside; this will help to keep your feet from getting caught on the front rigging during the transfer.
- Reduce the distance between your power chair and the object you are transferring onto.

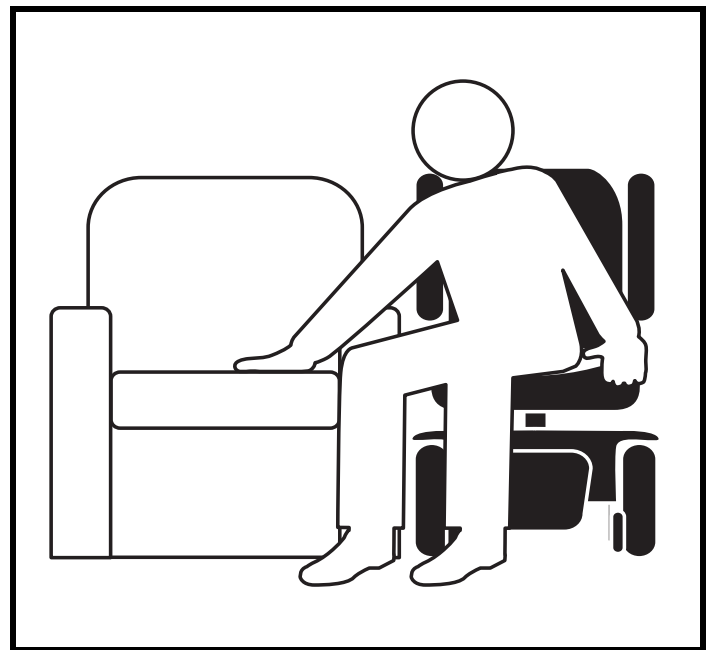


Figure 4. Ideal Transfer Position

**WARNING!** Before transferring, position yourself as far back as possible in the power chair seat to prevent the power chair from tipping forward during transfer.

**WARNING!** Avoid putting all of your weight on the power chair armrests and do not use the armrests for weight bearing purposes, such as transfers. Such use may cause the power chair to tip, resulting in a fall from the power chair.



**WARNING!** Avoid putting all of your weight on the front riggings. Such use may cause the power chair to tip.

**WARNING!** The controller and controller bracket are non-load bearing items on your power chair. Do not use the controller or controller bracket for weight bearing purposes, such as transfers. Such use may cause damage to these components, resulting in a fall from the power chair and personal injury.



## II. SAFETY

### Prescription Drugs/Physical Limitations

Users must exercise care and common sense when operating a power chair. This includes awareness of safety issues when taking prescribed or over-the-counter drugs or when the user has specific physical limitations.



**WARNING! Consult your physician if you are taking prescribed or over-the-counter medication or if you have certain physical limitations. Some medications and limitations may impair your ability to operate your power chair in a safe manner.**

### Alcohol/Smoking

The power chair user must exercise care and common sense when operating his/her power chair. This includes awareness of safety issues while under the influence of alcohol or while smoking.

**WARNING! Do not operate your power chair while you are under the influence of alcohol, as this may impair your ability to operate your power chair in a safe manner.**



**WARNING! Pride strongly recommends that you do not smoke cigarettes while seated in your power chair, although the power chair has passed the necessary testing requirements for cigarette smoking. You must adhere to the following safety guidelines if you decide to smoke cigarettes while seated in your power chair.**

- Do not leave lit cigarettes unattended.
- Keep ashtrays a safe distance from the seat cushions.
- Always make sure cigarettes are completely extinguished before disposal.

### Flammability Precautions

**WARNING! Even though the plastics on your power chair have passed the applicable flammability standards, Pride recommends that you do not expose your power chair to open flames.**



**WARNING! Replace worn or damaged upholstery immediately to reduce the risk of fire hazard.**

**WARNING! Be aware that washing of upholstered items may reduce the resistance to flammability of the fabric.**

### Electromagnetic and Radio Frequency Interference (EMI/RFI)



**WARNING! Laboratory tests have shown that electromagnetic and radio frequency waves can have an adverse effect on the performance of electrically-powered mobility vehicles.**

Electromagnetic and Radio Frequency Interference can come from sources such as cellular phones, mobile two-way radios (such as walkie-talkies), radio stations, TV stations, amateur radio (HAM) transmitters, wireless computer links, microwave signals, paging transmitters and medium-range mobile transceivers used by emergency vehicles. In some cases, these waves can cause unintended movement or damage to the control system. Every electrically-powered mobility vehicle has an immunity (or resistance) to EMI. The higher the immunity level, the greater the protection against EMI. This product has been tested and has passed at an immunity level of 20 V/m.



**WARNING! Be aware that cell phones, two-way radios, laptops and other types of radio transmitters may cause unintended movement of your electrically-powered mobility vehicle due to EMI. Exercise caution when using any of these items while operating your mobility vehicle and avoid coming into close proximity of radio and TV stations.**



**WARNING! The addition of accessories or components to the electrically-powered mobility vehicle can increase the susceptibility of the vehicle to EMI. Do not modify your power chair in any way not authorised by Pride.**

**WARNING! The electrically-powered mobility vehicle itself can disturb the performance of other electrical devices located nearby, such as alarm systems.**

**NOTE: For further information on EMI/RFI, go to the Resource Center on [www.pridemobility.com](http://www.pridemobility.com). If unintended motion or brake release occurs, turn your power chair off as soon as it is safe to do so. Contact your Quantum Rehab Dealer to report the incident.**

# III. YOUR POWER CHAIR

## THE SPARKY

Your power chair has two main assemblies: the seat and the power base. See figures 5 and 6. Typically, the seat assembly includes the armrests, seatback and seat base. The power base assembly includes two motor/brake assemblies, two drive wheels, two castor wheels, two anti-tip wheels, two batteries and wiring harnesses.

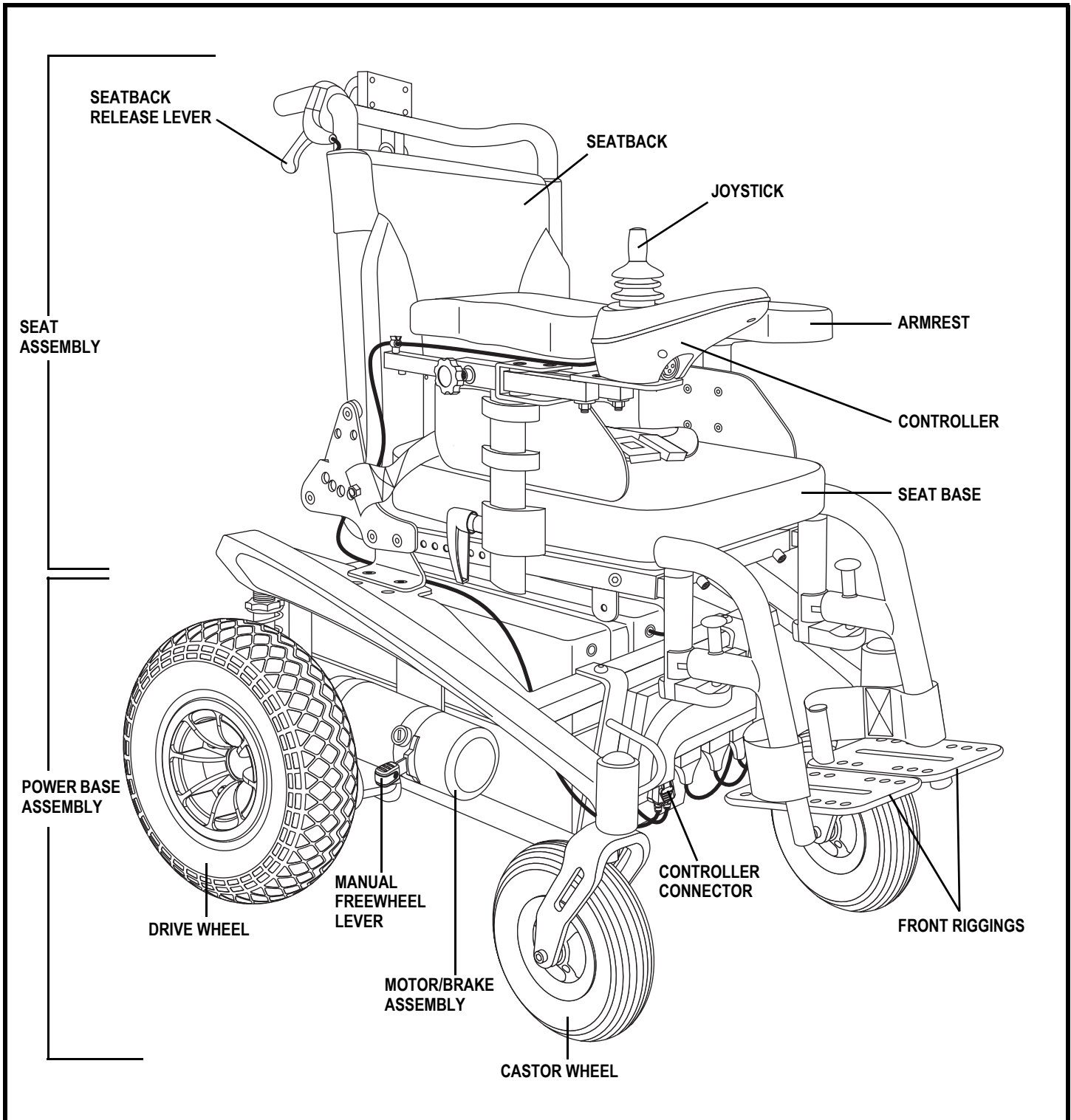


Figure 5. The Sparky

# III. YOUR POWER CHAIR

## Electrical Components

The electrical components are located on the front of the power base. See figure 6.

**Main Circuit Breaker:** The main circuit breaker is a safety feature built into your power chair. When the batteries and the motors are heavily strained (e.g., from excessive loads), the main circuit breaker trips to prevent damage to the motors and the electronics. If the circuit trips, allow your power chair to “rest” for approximately one minute. Next, push in the circuit breaker button, turn on the controller and continue normal operation. If the main circuit breaker continues to trip repeatedly, contact your Quantum Rehab Dealer. The main circuit breaker is located on the rear of your power chair. See figure 6.

**Controller Connector:** This is where the controller connects to the power base. The controller connector is located at the front of the power base. See figure 5.

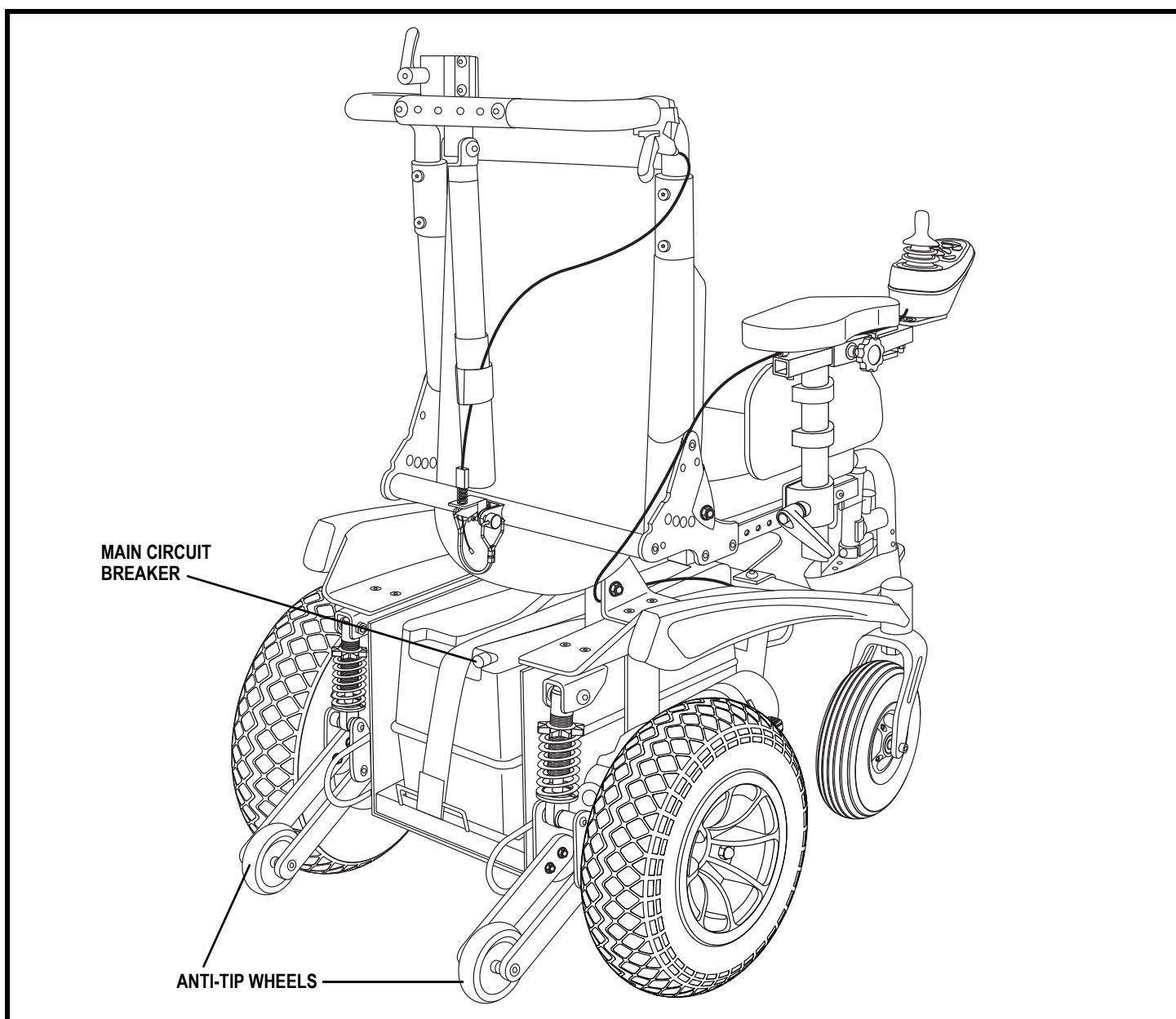


Figure 6. The Sparky Power Base

# III. YOUR POWER CHAIR

## Manual Freewheel Levers

For your convenience, your power chair is equipped with dual manual freewheel levers. The levers are located on each motor, and allow you to disengage the drive motors and manoeuvre the chair manually. You can manually push the power chair by the seatback.



**WARNING!** Do not use the power chair while the drive motors are disengaged! Do not disengage the drive motors when the power chair is on an incline or decline, as the unit could roll on its own. Only engage the freewheel mode when on a level surface.

**WARNING!** It is important to remember that when your power chair is in freewheel mode, the braking system is disengaged.

To operate the dual manual freewheel levers:

1. Push down both manual freewheel levers for freewheel mode (drive motor disengaged). See figure 7.
2. Pull up both manual freewheel levers for drive mode (drive motor engaged). See figure 8.

**NOTE:** If the lever is difficult to move in either direction, rock your power chair back and forth slightly. The lever should then move to the desired position.



**WARNING!** Do not use the freewheel lever handle as a tie-down point to secure this product.

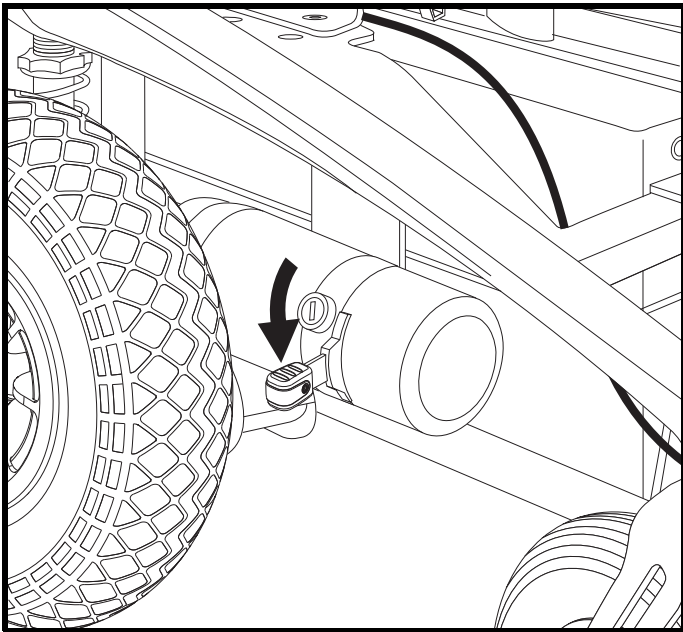


Figure 7. Freewheel Mode (Drive Disengaged)

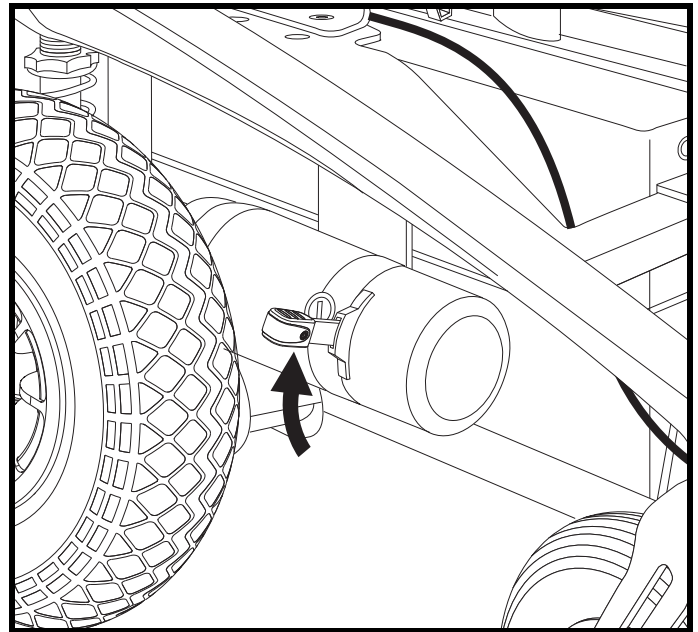


Figure 8. Drive Mode (Drive Engaged)

# III. YOUR POWER CHAIR

## Transit Securement System (Optional)

If your power chair is equipped with a transit securement system, it is equipped with manufacturer-installed front and rear securement brackets. If the transit securement system is rated for occupied use, it will also be equipped with positioning belt anchoring brackets. See **figure 9**. Refer to the supplement provided with your power chair for information on how to use the transit securement system.

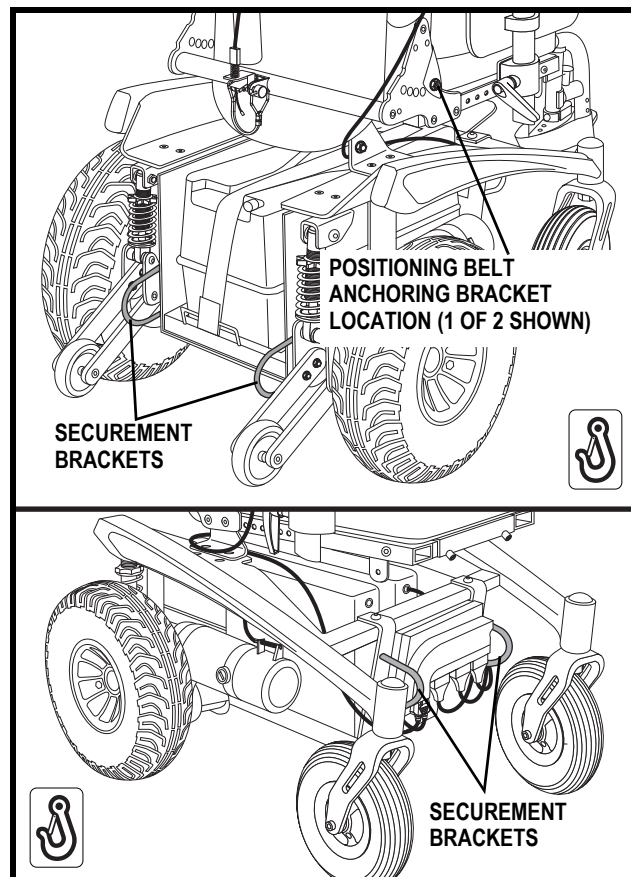


Figure 9. Transit System Securement Brackets

# IV. COMFORT ADJUSTMENTS

## COMFORT ADJUSTMENTS

After becoming familiar with your power chair's operation, you may find the need to make some adjustments to increase your comfort, such as seatback recline angle, armrest position and controller position. If your power chair is equipped with power seating options, refer to the information supplied in supplemental manuals or contact your Quantum Rehab Dealer.

**WARNING!** The centre of gravity of your power chair was factory set to a position that meets the needs of the demographic majority of users. Your Quantum Rehab Dealer has evaluated your power chair and made any necessary adjustments to suit your specific requirements. Do not change your seating configuration without first contacting Pride Mobility Products or your Quantum Rehab Dealer.



**WARNING!** Some power chair components are heavy. You may need assistance to lift or carry them. Please refer to the specifications table for specific component weights before you disassemble the power chair.

**WARNING!** Remove the occupant from the power chair before making any adjustments.

**NOTE:** Any nylon insert lock nut removed during the disassembly or adjustment of the power chair must be replaced with a new nut. Nylon insert lock nuts should not be reused as it may cause damage to the nylon insert, resulting in a less secure fit. Replacement nylon insert lock nuts are available at local hardware stores or through your Quantum Rehab Dealer.

You may need the following to make comfort adjustments:

- 4-mm hex key
- 5-mm hex key
- 6-mm hex key
- 10/13-mm box spanner

### Manual Recline Seatback Adjustment

You can adjust the angle of the seatback by using the seatback release lever.



**WARNING!** This procedure should be performed by a qualified attendant.

To adjust the seatback angle:

1. Squeeze the seatback release lever. See figure 10.
2. Set the seatback at the desired angle for operator comfort.
3. Release the seatback release lever.

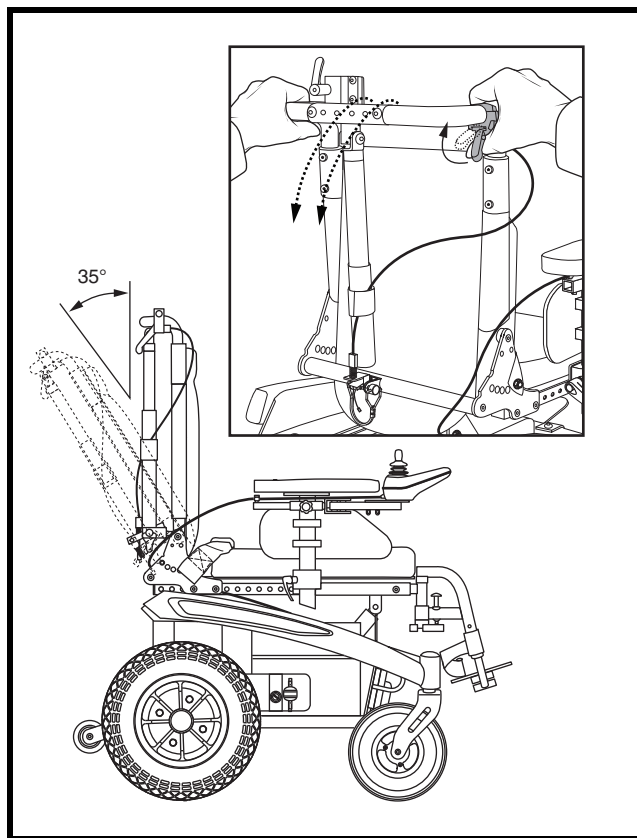


Figure 10. Manual Recline Seatback Adjustment



# IV. COMFORT ADJUSTMENTS

## Power Positioning System Adjustment

Your power chair may be equipped with a power tilt system. You can change the position of this option through the controller and a switch box.

### To adjust the power actuator:

1. Push the on/off key to power on the chair and the controller. See figure 11.
2. Push the actuator select key to select actuator mode. Both actuator lights will illuminate. See figure 11.
3. Pull the joystick rearward to tilt the seat to the desired position.
4. Push the joystick forward to return to your starting position.
5. Push the actuator select key to return to drive mode. See figure 11.



**WARNING! Do not allow the motor to run more than a few seconds after the mechanism reaches the top or bottom limit.**

**NOTE:** For more information on operating the power positioning system, refer to the information supplied in supplemental manuals or contact your Quantum Rehab Dealer.

**WARNING! The power positioning system is intended for use on a level surface only. Never operate your power chair while tilted on an inclined surface. Failure to heed this warning can result in the power chair tipping over.**



**WARNING! Never operate your power chair while tilted on bumpy or uneven surfaces. Failure to heed this warning can result in the power chair tipping over.**

**WARNING! Never operate the power positioning system while your power chair is in the freewheel mode.**

**WARNING! Always fasten the positioning belt when operating the power positioning system.**



**WARNING! Pinch Point Hazard! Keep area around actuator clear when operating the power positioning system or returning to your starting position.**

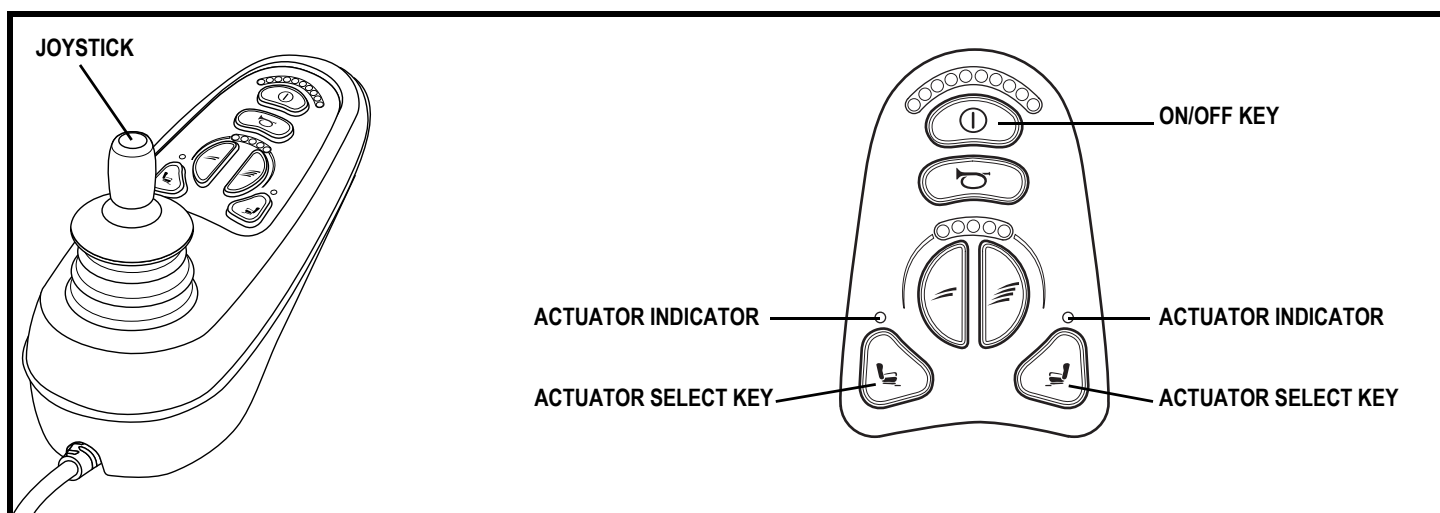


Figure 11. VR2 6-key Controller and Keypad

# IV. COMFORT ADJUSTMENTS



**WARNING!** Changing the depth and width of the seating system will affect the maximum weight capacity of the power chair. Refer to product specifications.

## Seat Depth Adjustment

You can adjust the seat depth from 25.4 to 35.56 cm (10 to 14 in.).

### To adjust the seat depth:

1. Remove the seat cushion.
2. Remove both seat depth adjustment screws from each side of the seat. See **figure 12**.
3. Reposition the seat to the desired seat depth.
4. Reinstall both seat depth adjustment screws to each side of the seat.
5. Replace the seat cushion.

## Seat Width Adjustment

You can adjust the seat width from 25.4 to 35.56 cm (10 to 14 in.).

### To adjust the seat width:

1. Remove the seat cushion and sling back cover.
2. Loosen the four setscrews on the seat base. See **figure 13**.
3. Remove the four bolts on the actuator mounting bars on the seatback.
4. Adjust the seat base and the reusable fastener straps on the sling back to the desired width.
5. Reinstall the four bolts on the actuator mounting bars.
6. Tighten the four setscrews on the seat base.
7. Reinstall the seat cushion and sling back cover.

## Leg Rest Depth Adjustment

You can adjust the leg rest depth from 25.4 to 35.56 cm (10 to 14 in.).

### To adjust the leg rest depth:

1. Loosen the leg rest receiver hardware. See **figure 14**.
2. Reposition the leg rest receiver to the desired seat depth.
3. Tighten the leg rest receiver hardware.
4. Adjust the depth of the other leg rest if necessary.

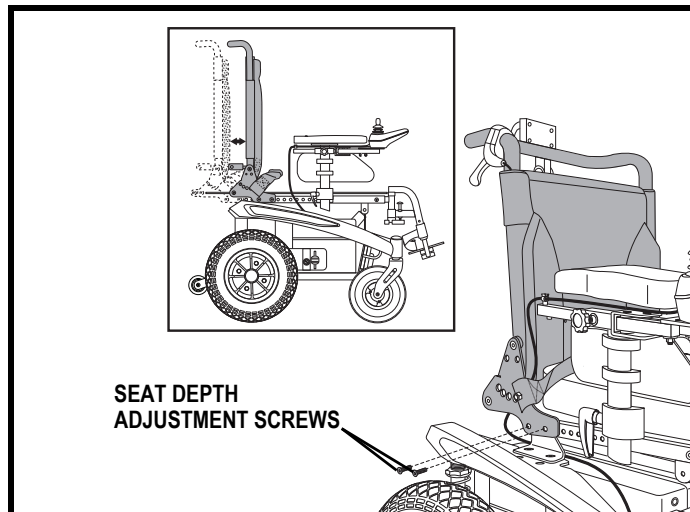


Figure 12. Seat Depth Adjustment

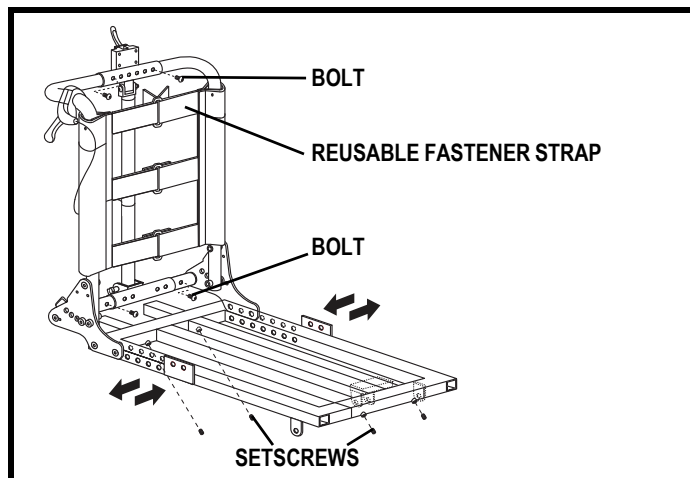


Figure 13. Seat Width Adjustment

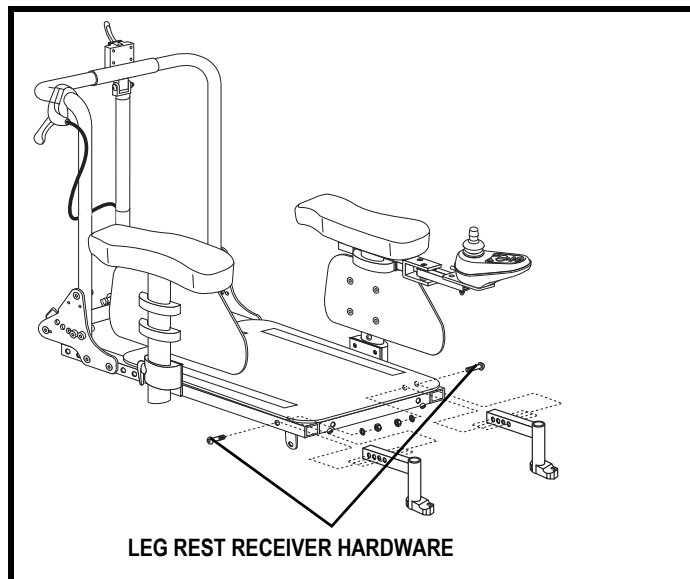


Figure 14. Leg Rest Depth Adjustment



## IV. COMFORT ADJUSTMENTS

### Armrest Height Adjustment

The armrest height adjustment range is 5 cm (2 in.). This range is measured from the seat pan to the top of the armrest pad.

#### To remove the armrest assembly:

1. Loosen the armrest lever by pushing the armrest lever in and rotating the lever simultaneously. See **figure 15**.
2. Lift up the armrest assembly.

#### To install the armrest assembly:

1. Place the armrest assembly into the armrest receiver. See **figure 15**.
2. Tighten the armrest lever.

#### To adjust the height:

1. Loosen the armrest lever. See **figure 15**.
2. Remove the armrest. See **figure 15**.
3. Reposition the height adjustment screw to the desired height. See **figure 16**.
4. Reinstall the armrest.
5. Tighten the armrest lever.
6. Repeat for the other armrest, if necessary.

### Armrest Depth Adjustment

You can adjust the depth of the armrests.

#### To adjust the armrest depth:

1. Loosen the two depth adjustment screws under the armrest receiver. See **figure 16**.
2. Adjust the armrest to the desired depth.
3. Tighten the two screws.
4. Repeat for the other side, if necessary.

### Armrest Pad Depth Adjustment

You can also adjust the depth of the armrest pads. See **figure 17**.

#### To adjust the depth of the armrest pads:

1. Remove the four screws and their four aluminum inserts from the bottom of the armrest pad. See **figure 17**.
2. Place the four aluminum inserts into the four holes on the bottom of the armrest pad to correspond to the desired depth of the armrest pad.
3. Position the armrest pad as desired.
4. Reinstall the four screws and tighten.
5. Repeat for the other side, if necessary.

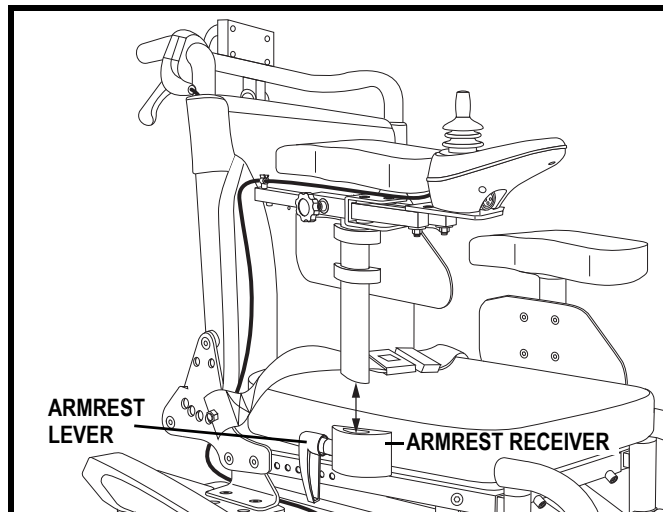


Figure 15. Armrest Removal/Installation

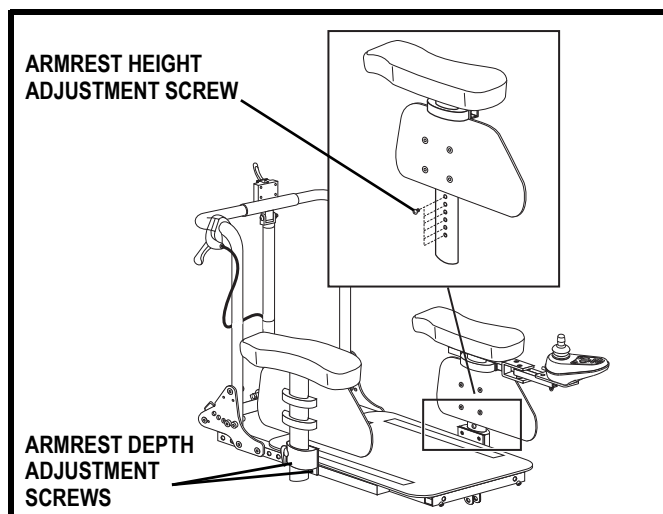


Figure 16. Armrest Height and Depth Adjustment

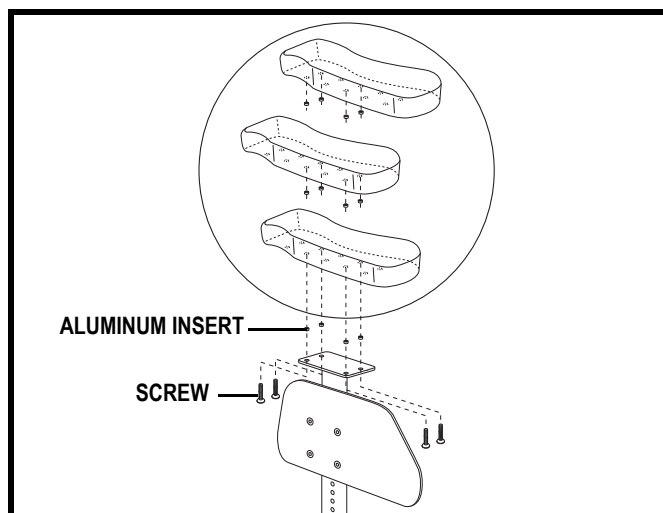


Figure 17. Armrest Pad Depth Adjustment

## IV. COMFORT ADJUSTMENTS

### Swing-Away Footrest (SFR) Removal

The swing-away footrests (SFR) can be moved or removed to aid in transfers or transporting your power chair.

#### To move the SFR to the side:

1. Pull the release lever. See **figure 18**.
2. Move the SFR aside.
3. Repeat for the other side, if necessary.

#### To remove the SFR:

1. Move the SFR to the side.
2. Pull the SFR up.
3. Repeat for the other side, if necessary.

### Swing-Away Footrest (SFR) Foot Plate Length

You can change the SFR foot plate length.

#### To change the SFR foot plate depth:

1. Loosen the nuts on the two screws on the underside of the foot plate. See **figure 19**.
2. Slide the foot plate to the desired depth.
3. Tighten the nuts.
4. Repeat for the other side, if necessary.

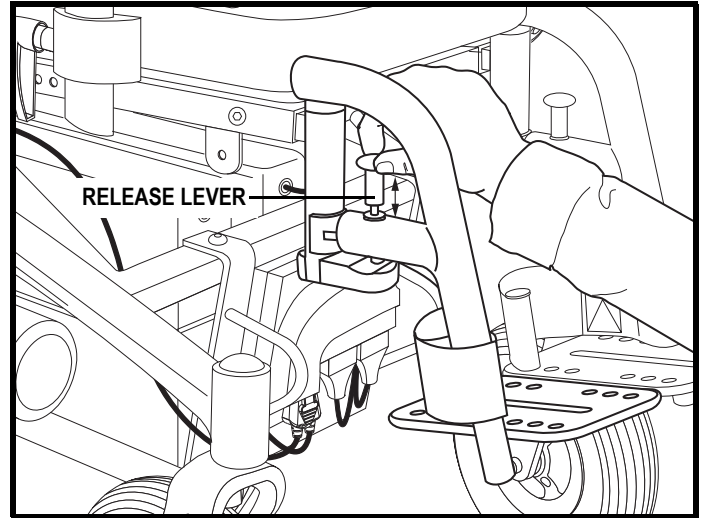


Figure 18. Swing-away Footrest

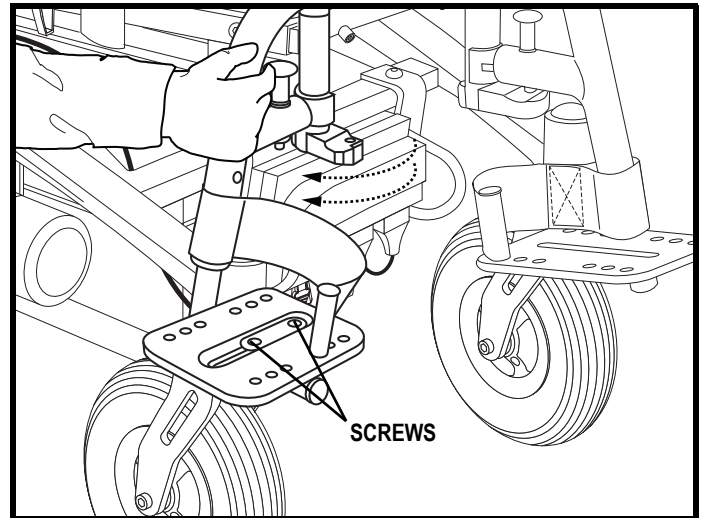


Figure 19. Swing-away Footrest Adjustment

## IV. COMFORT ADJUSTMENTS

### Elevating Leg Rest (ELR) Foot Plate Length

You can change the ELR foot plate length between 22.23-29.85 cm (8.75-11.75 in.). This length is measured from the ELR foot plate to the top of the ELR. See **figure 20**.

#### To change the ELR foot plate length:

1. Loosen the screw on the back of the ELR.
2. Adjust the foot plate to the desired length.
3. Tighten the screw on the back of the ELR.
4. Repeat the procedure for the other leg rest.

### Elevating Leg Rest (ELR) Angle

You can change the ELR angle. See **figure 20**.

#### To change the ELR angle:

1. To raise, pull the ELR up to the desired position.
2. To lower, pull the ELR release lever and lower the ELR to the desired position.

### Elevating Leg Rest (ELR) Calf Pad

You can change the height and depth of the ELR calf pad. See **figure 21**.

#### To change the ELR calf pad depth:

1. Remove the screw to unfasten the calf pad from the calf pad bracket.
2. Move the calf pad in or out to the desired position.
3. Replace the screw to refasten the calf pad to the calf pad bracket.
4. Repeat for the other side.

#### To change the ELR calf pad height:

1. Rotate the calf pad toward you to disengage the calf pad from the ELR.
2. Move the calf pad up or down to the desired position.
3. Rotate the calf pad away from you to secure the calf pad to the ELR.
4. Repeat for the other side, if necessary.

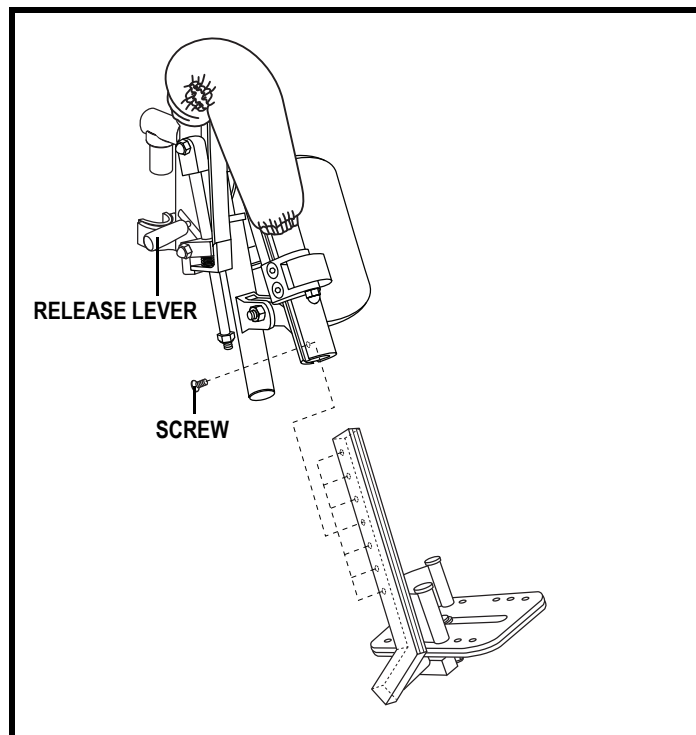


Figure 20. ELR Foot Plate Adjustment

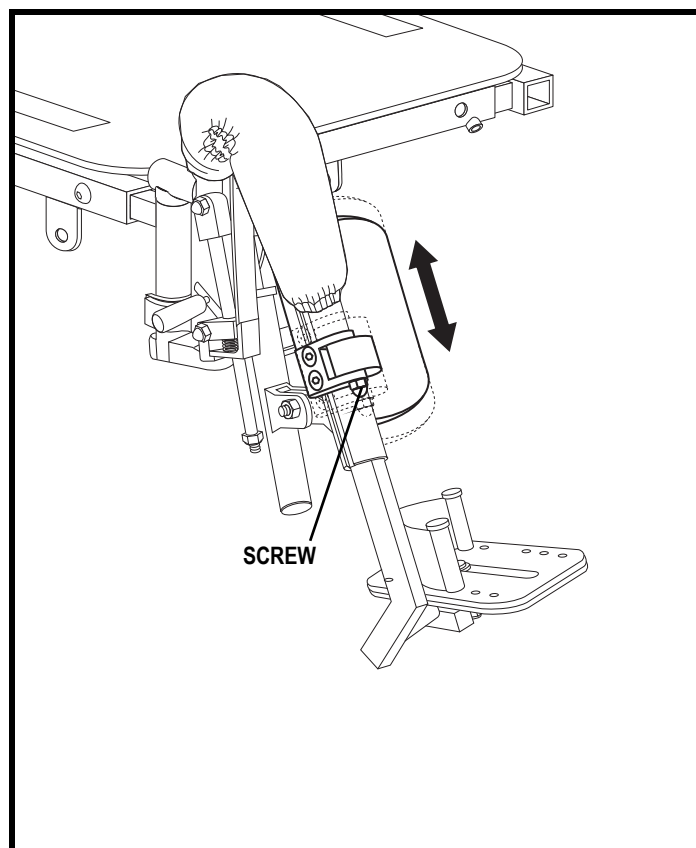


Figure 21. ELR Calf Pad Adjustment

# IV. COMFORT ADJUSTMENTS

## Controller Position

You can move the controller in toward or out away from the armrest.

**NOTE:** To change the position of the controller for either left-hand or right-hand use, contact your Quantum Rehab Dealer.



**WARNING!** Prevent controller harness damage! Avoid routing the controller harness on the outside of the armrest pad. Route the harness under the armrest or toward the inside of the armrest pad. Use correct tie-down points to prevent the harness from getting caught in the drive tyres, pinched in the seat frame or damaged when passing through doorways.

### To extend the controller:

1. Loosen the adjustment knob on the armrest. See **figure 22**.
2. Slide the controller into or out to the desired position.
3. Tighten the adjustment knob to secure the controller.

## Anti-Tip Wheels

The anti-tip wheels are an integral and important safety feature of your power chair. They are bolted to the frame at the rear of the power chair. See **figure 23**.



**PROHIBITED!** Do not remove the anti-tip wheels or modify your power chair in any way that is not authorised by Pride.

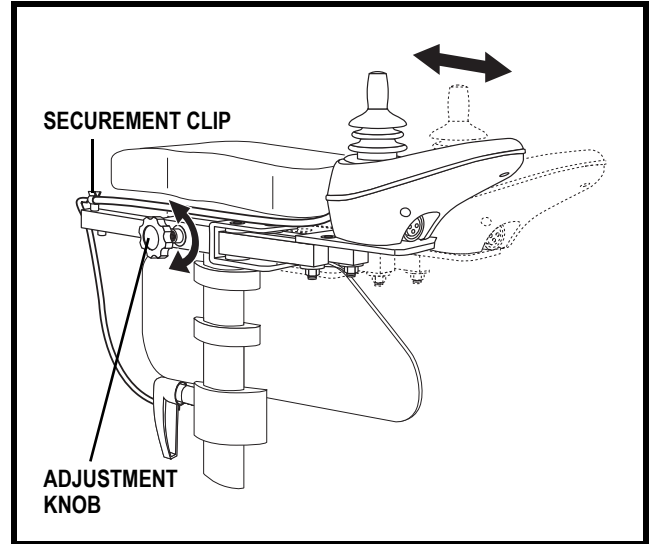


Figure 22. Controller Position

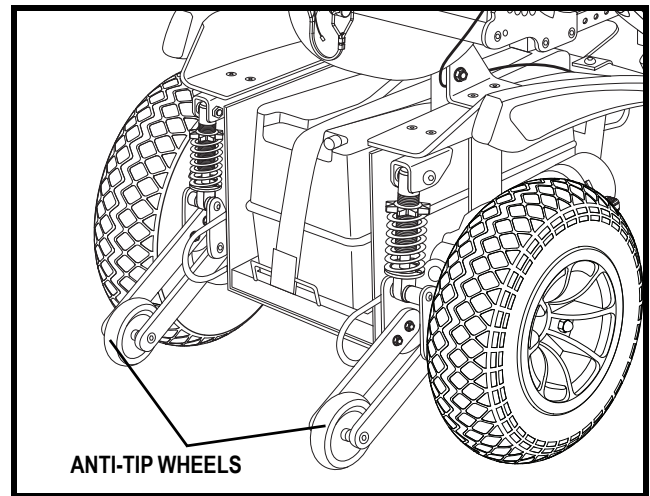


Figure 23. Anti-tip Wheels

# IV. COMFORT ADJUSTMENTS

## Positioning Belt

Your power chair may be equipped with a positioning belt that can be adjusted for operator comfort. See **figure 24**. The positioning belt is designed to support the operator so that he/she does not slide down or forward in the seat. The positioning belt is not designed for use as a restraining device.



**WARNING! The positioning belt is not designed for use as a seat belt in a motor vehicle. Nor is your power chair suitable for use as a seat in any vehicle. Anyone traveling in a vehicle should be properly belted into seats approved by the vehicle manufacturer.**

### To install the positioning belt:

1. Insert the screw through the mounting tab at the end of the positioning belt and then through the seatback. See **figure 24**.
2. Install the nut to the assembly, and then tighten the nut using two adjustable wrenches.
3. Repeat steps 1-2 for the other side.

### To adjust the positioning belt:

1. Once seated, insert the metal tab on one side of the belt into the plastic housing on the opposite side until you hear a click.
2. Pull the excess strap attached to the metal tab until it is secure, but not so tight as to cause discomfort.

### To release the positioning belt:

1. Press the push button mechanism on the plastic housing.

**MANDATORY! Make sure the positioning belt is properly secured to the power chair and is adjusted for operator comfort before each use.**



**MANDATORY! Inspect the positioning belt for loose or damaged parts before each use of the power chair. If you discover a problem, contact your Quantum Rehab Dealer for maintenance and repair.**

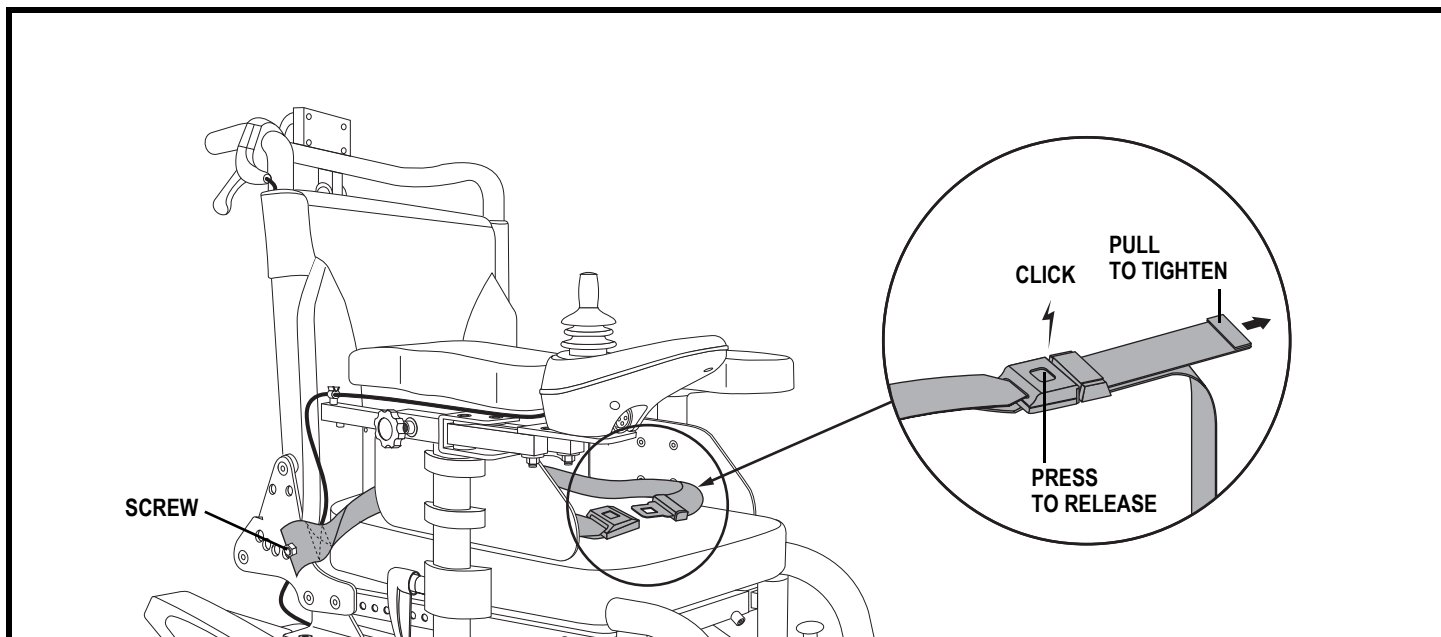


Figure 24. Positioning Belt Installation and Adjustment

# V. BATTERIES AND CHARGING

## BATTERIES AND CHARGING

The power chair uses two long-lasting, 12-volt, deep-cycle batteries. These batteries are sealed and maintenance free. Since they are sealed, there is no need to check the electrolyte (fluid) level. Deep-cycle batteries are designed to handle a longer and deeper discharge. Though they are similar in appearance to automotive batteries, they are not interchangeable. Automotive batteries are not designed to handle a long, deep discharge, and also are unsafe for use in power chairs.



**MANDATORY!** Battery posts, terminals and related accessories contain lead and lead compounds. Wear goggles and gloves when handling batteries and wash hands after handling.



**WARNING!** Contact your Quantum Rehab Dealer if you have any questions regarding the batteries in your power chair.



**PROHIBITED!** Always use two batteries of the exact same type, chemistry and amp-hour (Ah) capacity. Refer to specifications table in this manual and in the manual supplied with the battery charger for recommended type and capacities.

## Charging the Batteries

The battery charger is essential in providing long life for your power chair batteries. It is designed to optimise your power chair's performance by charging the batteries safely, quickly and easily.



**PROHIBITED!** Removal of grounding prong can create electrical hazard. If necessary, properly install an approved 3-pronged adapter to an electrical outlet having 2-pronged plug access.



**PROHIBITED!** Never use an extension cord to plug in your battery charger. Plug the charger directly into a properly wired standard electrical outlet.



**PROHIBITED!** Do not allow unsupervised children to play near the power chair while the batteries are charging. Pride recommends that you do not charge the batteries while the power chair is occupied.



**MANDATORY!** Read the battery charging instructions in this manual and in the manual supplied with the battery charger before charging the batteries.



**WARNING!** Explosive gases may be generated while charging the batteries. Keep the power chair and battery charger away from sources of ignition such as flames or sparks and provide adequate ventilation when charging the batteries.

**WARNING!** You must recharge your power chair's batteries with the supplied off-board battery charger. Do not use an automotive-type battery charger.

**WARNING!** Inspect the battery charger, wiring and connectors for damage before each use. Contact your Quantum Rehab Dealer if damage is found.



**WARNING!** Do not attempt to open the battery charger case. If the battery charger does not appear to be working correctly, contact your Quantum Rehab Dealer.

**WARNING!** Be aware that the battery charger case may become hot during charging. Avoid skin contact and do not place on surfaces that may be affected by heat.

**WARNING!** If the battery charger is equipped with cooling slots, then do not attempt to insert objects through these slots.

**WARNING!** If your battery charger has not been tested and approved for outdoor use, then do not expose it to adverse or extreme weather conditions. If the battery charger is exposed to adverse or extreme weather conditions, then it must be allowed to adjust to the difference in environmental conditions before use indoors. Refer to the manual supplied with the battery charger for more information.





# V. BATTERIES AND CHARGING

## To charge the batteries using the off-board charger:

1. Position the front of your power chair next to a standard electrical outlet.
2. Be certain the controller power is turned off and the freewheel levers are in the drive position. See III. “Your Power Chair.”
3. Plug the off-board charger into the off-board charger/programming socket on the controller. **See figure 25.**
4. Plug the off-board charger into the electrical outlet.

**NOTE:** *The LED lights on the charger indicate different charger conditions at various times: charger power on, charging in progress and charging complete. Refer to the manual supplied with the charger for a complete explanation of these indicators.*

5. When the batteries are fully charged, unplug the off-board charger from the electrical outlet and then from the controller.

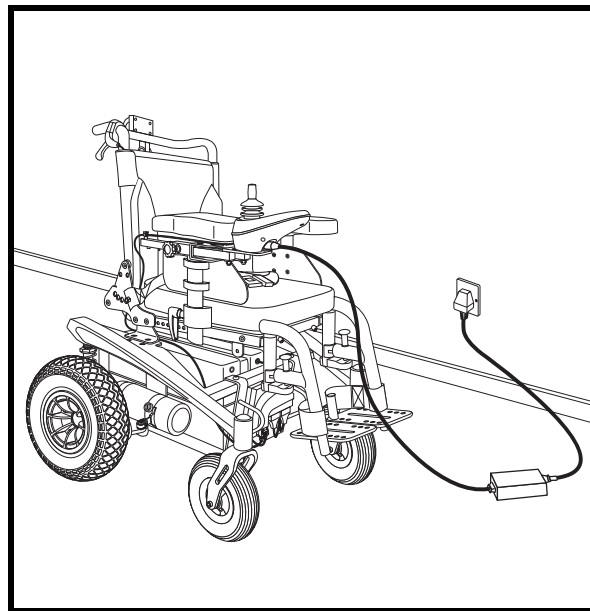


Figure 25. Battery Charging

## Battery Break-in

### To break in new batteries for maximum efficiency:

1. Fully recharge any new battery prior to its initial use. This brings the battery up to about 90% of its peak performance level.
2. Operate your power chair throughout the house and grounds. Move slowly at first, and do not travel too far until you become accustomed to the controls and break in the batteries.
3. Give the batteries another full charge of 8 to 14 hours and operate your power chair again. The batteries will now perform at over 90% of their potential.
4. After four or five charging cycles, the batteries will top off at 100% charge and last for an extended period.

## Frequently Asked Questions (FAQs)

### How does the charger work?

The battery charger takes the standard electrical outlet voltage (alternating current) and converts it to direct current. When the battery voltage is low, the charger works harder to charge the battery. As the battery voltage approaches full charge, the charger doesn't work as hard to complete the charging cycle. When the battery is fully charged, the amperage from the charger is nearly at zero. This is how the charger maintains a charge but does not overcharge the battery.

### Can I use a different battery charger?

You should use the charger supplied with the power chair. It is the safest, most efficient tool to charge the batteries. We do not recommend using other types of chargers (e.g., an automotive battery charger).

**NOTE:** *Your power chair's charger will not operate after the batteries have been discharged to nearly zero voltage. If this happens, call your Quantum Rehab Dealer for assistance.*

### How often must I charge the batteries?

Many factors come into play when deciding how often to charge the batteries. You may use your power chair all day on a daily basis or you may not use it for weeks at a time.

# V. BATTERIES AND CHARGING

## ■ Daily Use

If you use your power chair on a daily basis, charge the batteries as soon as you are finished using your power chair. Your power chair will be ready each morning to give you a full day's service. It is recommended that you charge the batteries 8 to 14 hours after daily use.

## ■ Infrequent Use

If you use your power chair infrequently (once a week or less), you should charge the batteries at least once per week for 12 to 14 hours.

**NOTE:** *Keep your batteries fully charged and avoid deeply discharging your batteries. Refer to the manual supplied with the battery charger for charging instructions.*

## How can I get maximum range or distance per charge?

Rarely do you have an ideal driving situation such as smooth, flat, hard terrain with no wind, hills or curves. More often you are presented with hills, pavement cracks, uneven and loosely packed surfaces, curves and wind. All of these factors will affect the distance or running time per battery charge. Below are a few suggestions for obtaining the maximum range per charge:

- Always charge the batteries fully prior to your trip.
- Plan your trip in advance to avoid inclines if possible.
- Limit baggage weight to essential items.
- Try to maintain an even speed and avoid stop-and-go driving.

## What type of batteries should I use?

We recommend deep-cycle batteries that are sealed and maintenance free. Both AGM and Gel-Cell are deep-cycle batteries that are similar in performance. Refer to the specifications table for more information regarding the batteries used with your power chair.



**WARNING! Corrosive chemicals contained in batteries. Use only AGM or Gel-Cell batteries to reduce the risk of leakage or explosive conditions.**

## Why do my new batteries seem weak?

Deep-cycle batteries employ a much different chemical technology than that used in car batteries, nickel-cadmium (includes) or in other common battery types. Deep-cycle batteries are specifically designed to provide power, drain down their charge and then accept a relatively quick recharge. AGM and Gel-Cell batteries should be charged as often as possible. They do not have a “memory” like nickel-cadmium batteries.

We work closely with our battery manufacturer to provide a battery that best suits your power chair's specific demands. Fresh batteries arrive regularly at Pride and are promptly shipped with a full charge. During shipping, the batteries encounter temperature extremes that may influence initial performance. Heat robs the charge from the battery, and cold slows the power available and extends the time needed to recharge the battery (just as with a car battery).

It might take a few days for the temperature of the battery to stabilise and adjust to its new ambient temperature. More importantly, it will take a few “charging cycles” (a partial drain—then a full recharge) to establish the critical chemical balance that is essential to the battery's peak performance and long life. It will be well worth it to take the time to break in your battery properly.



## V. BATTERIES AND CHARGING

### **How can I ensure maximum battery life?**

A fully charged deep-cycle battery will provide reliable performance and extended battery life. Keep your power chair's batteries fully charged whenever possible. Batteries that are regularly and deeply discharged, infrequently charged or stored without a full charge may be permanently damaged, causing unreliable power chair operation and limited battery life.

*NOTE: The useful life of a battery is quite often a reflection of the care it receives.*

### **How should I store my power chair and its batteries?**

If you do not use your power chair regularly, we recommend maintaining battery vitality by charging the batteries at least once per week.

If you do not plan on using your power chair for an extended period, fully charge the batteries prior to storage. Disconnect the battery harnesses and store the power chair in a warm, dry environment. Avoid temperature extremes, such as freezing and excessively hot conditions, and never attempt to charge a frozen battery. A cold or frozen battery should be warmed for several days prior to recharging.

### **What about public transport?**

AGM and Gel-Cell batteries are designed for application in power chairs and other mobility vehicles, allowing safe transport on aircraft, buses and trains, as there is no danger of spillage or leakage. We suggest you contact the carrier's ticket counter in advance to determine that carrier's specific requirements.

### **What about shipping?**

If you wish to use a freight company to ship your power chair to your final destination, repack your power chair in the original shipping container, and ship the batteries in separate boxes.

# VI. CARE AND MAINTENANCE

## CARE AND MAINTENANCE

Your Sparky is a sophisticated power chair. Like any motorised vehicle, it requires routine maintenance checks. You can perform some of these checks, but others require assistance from your Quantum Rehab Dealer. Preventive maintenance is very important. If you follow the maintenance checks in this section as scheduled, you can help ensure that your power chair gives you years of trouble-free operation. If you have any doubt as to your power chair's care or operation, contact your Quantum Rehab Dealer.



**WARNING! Do not service the power chair when the seat is occupied.**

Your power chair, like most electrical equipment, is susceptible to damage from the elements. Avoid damp areas of any kind.



**WARNING! Direct or prolonged exposure to water or dampness could cause the power chair to malfunction electronically and mechanically. Water can cause electrical components to corrode and the chair's frame to rust. Power chairs should be examined periodically for signs of corrosion caused by water exposure, bodily fluids exposure or incontinence. Damaged components should be replaced or treated immediately.**

### Should your power chair come in contact with water:

1. Dry your power chair as thoroughly as possible with a towel.
2. Allow your power chair to sit in a warm, dry place for 12 hours to allow unseen water to evaporate.
3. Check the joystick operation and the brakes before using your power chair again.
4. If any inconsistencies are found, take your power chair to your Quantum Rehab Dealer. Power chairs that are frequently exposed to sources of water, such as incontinence, should be inspected often for corrosion and electronic components may need to be replaced frequently.

### Temperature

- Some of the parts of your power chair are susceptible to extreme changes in temperature. Always keep your power chair between the temperatures of -8°C/18°F and 50°C/122°F.
- In extremely cold temperatures the batteries may freeze. The specific temperature at which they freeze depends on a number of factors, such as battery charge, usage and composition of the batteries (e.g., AGM or Gel-Cell).
- Temperatures above 50°C/122°F may cause your power chair to operate at a reduced speed. This reduced speed is a safety feature built into the controller that helps prevent damage to the motor and other electrical components.

### General Guidelines

- Avoid knocking or bumping the controller, especially the joystick.
- Do not remove the controller guard, if equipped. Contact your Quantum Rehab Dealer if any maintenance is required.
- Avoid prolonged exposure of your power chair to extreme conditions, such as heat, cold or moisture.
- Keep the controller clean.
- Check all connectors to ensure that they are all tight and secured properly.
- Make sure pneumatic tyres are inflated to the psi/bar/kPa air pressure rating indicated on each tyre.



**WARNING! Make sure pneumatic tyres are inflated to the psi/bar/kPa air pressure rating indicated on each tyre. Do not underinflate or overinflate your tyres. Low pressure may result in loss of control, and overinflated tyres may burst. Overinflating tyres can cause them to explode.**

**WARNING! Do not use a high pressure hose to inflate your tyres.**

- Use a rubber conditioner on the tyre sidewalls to help preserve them.



**WARNING! Never use a rubber conditioner on the tread area of the tyres; doing so may make the tyres slippery and cause your power chair to skid.**

# VI. CARE AND MAINTENANCE

- All wheel bearings are prelubricated and sealed. They require no subsequent lubrication.
- The body shroud has been sprayed with a clear sealant coating. You can apply a light coat of car wax to help it retain its high-gloss appearance.
- Check all electrical connections. Make sure they are tight and are not corroded. Batteries must sit flat within battery boxes, with protective covers over the battery terminals. Refer to the battery wiring label for the correct wiring layout.



**WARNING! Even though the power chair has passed the necessary testing requirements for ingress of liquids, you should keep electrical connections away from sources of dampness, including direct exposure to water or bodily fluids and incontinence. Check electrical components frequently for signs of corrosion and replace as necessary.**

## Daily Checks

- With the controller turned off, check the joystick. Make sure it is not bent or damaged and that it returns to the neutral position when you release it. Check the rubber boot around the base of the joystick for damage. Visually inspect the boot. Do not handle or try to repair it. See your Quantum Rehab Dealer if there is a problem.
- Visually inspect the controller harness. Make sure that it is not frayed, cut or has any wires exposed. See your Quantum Rehab Dealer if there is a problem.
- Check for flat spots on solid tyres. Flat spots could adversely affect stability.
- Inspect the seating system, armrests and front riggings for loose hardware, stress points or damage. See your Quantum Rehab Dealer if there is a problem.

## Weekly Checks

- Disconnect and inspect the controller from the power base. Look for corrosion. Contact your Quantum Rehab Dealer if necessary.
- Ensure that all parts of the controller system are securely fastened to your power chair. Do not overtighten any screws.
- Check for proper tyre inflation. Each tyre should be inflated to the psi/bar/kPa air pressure rating indicated on the tyre. If a tyre does not hold air, see your Quantum Rehab Dealer for replacement of the tube.
- Check the brakes. This test should be carried out on a level surface with at least 1 metre (3 feet) of clearance around your power chair.

### To check the brakes:

1. Turn on the controller and turn down the speed level of your power chair.
2. After one second, check the battery condition meter. Make sure that it remains on.
3. Slowly push the joystick forward until you hear the electric brakes click. Immediately release the joystick. You must be able to hear each electrical brake operating within a few seconds of joystick movement. Repeat this test three times, pushing the joystick rearward, then left and then right.

## Monthly Checks

- Check that the anti-tip wheels do not rub the ground when you operate the power chair. Adjust them as necessary.
- Check for extreme wear on the anti-tip wheels. Replace them as necessary.
- Check for drive tyre wear. See your Quantum Rehab Dealer for repair.
- Check the castor wheels for wear. Replace them as necessary.
- Check the castor forks for damage or fluttering which indicates that they may need to be adjusted or have the bearings replaced. See your Quantum Rehab Dealer for repair.
- Check the entire power chair for loose hardware and changes in the function or performance of the power chair. See your Quantum Rehab Dealer for service or repair.
- Keep your power chair clean and free of foreign material, such as mud, dirt, hair, food, drink, etc.

# VI. CARE AND MAINTENANCE

## Yearly Checks

Take your power chair to your Quantum Rehab Dealer for yearly maintenance, especially if you use your power chair on a regular basis. This helps ensure that your power chair is functioning properly and helps prevent future complications.

## Storage

Your power chair should be stored in a dry place, free from temperature extremes. When storing, disconnect the batteries from the power chair. See V. “Batteries and Charging.”



**WARNING! If you fail to store the unit properly, the frame can rust and the electronics can be damaged.**

Batteries that are regularly and deeply discharged, infrequently charged, stored in extreme temperatures or stored without a full charge may be permanently damaged, causing unreliable performance and limited service life. It is recommended that you charge the batteries periodically throughout periods of prolonged storage to ensure proper performance.

You may wish to place several boards under the frame of your power chair to raise it off of the ground during periods of prolonged storage. This takes the weight off the tyres and reduces the possibility of flat spots developing on the areas of the tyres contacting the ground.

## Disposal of Your Power Chair

Your power chair must be disposed of according to applicable local and national statutory regulations. Contact your local waste disposal agency or Quantum Rehab Dealer for information on proper disposal of power chair packaging, metal frame components, plastic components, electronics, batteries, neoprene, silicone and polyurethane materials.

## Cleaning and Disinfection

- Use a damp cloth and mild, non-abrasive cleanser to clean the plastic and metal parts of your power chair. Avoid using products that may scratch the surface of your power chair.
- If necessary, clean your product with an approved disinfectant. Make sure the disinfectant is safe for use on your product before application.

**WARNING! Follow all safety instructions for the proper use of the disinfectant and/or cleaning agent before applying it to your product. Failure to comply may result in skin irritation or premature deterioration of upholstery and/or power chair finishes.**



**WARNING! Never hose off your power chair or place it in direct contact with water. Your power chair has a painted, ABS plastic body shroud that allows it to be easily wiped clean with a damp cloth.**

**WARNING! Never use any chemicals to clean a vinyl seat, as they may cause the seat to become slippery or dry out and crack. Use soapy water and dry the seat thoroughly.**

## Wheel Replacement

If you have pneumatic tyres and you have a flat tyre, you can replace the tube. If your chair is equipped with a solid tyre insert, then you must replace the whole wheel assembly. Replacement tyres, tubes and wheel assemblies are readily available through your Quantum Rehab Dealer.

**WARNING! The wheels on your power chair should only be serviced or replaced by a Quantum Rehab Dealer or a qualified technician.**



**WARNING! Be sure that the power to the controller is turned off and the power chair is not in freewheel mode before performing this procedure.**

**WARNING! When changing a tyre, remove only the axle nut, then remove the wheel. If any further disassembly is required, deflate the tyre completely or it may explode.**

# VI. CARE AND MAINTENANCE

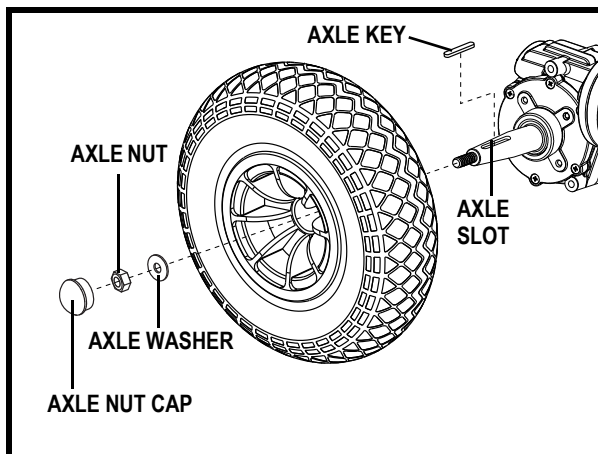


Figure 26. Sparky Drive Wheel

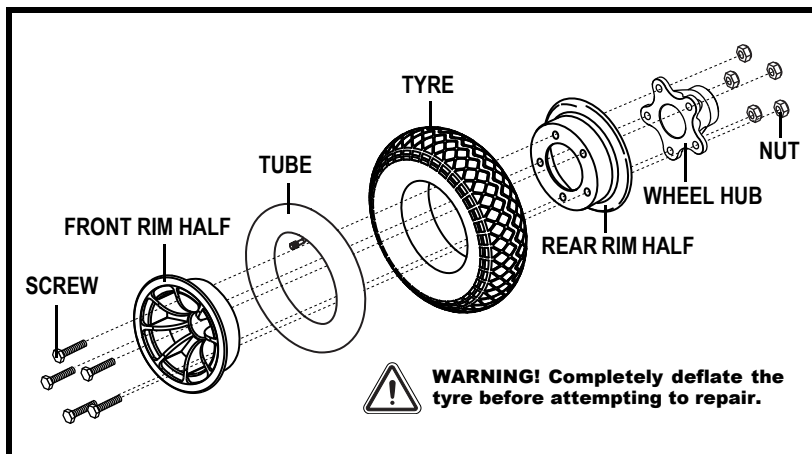


Figure 27. Sparky Drive Wheel Disassembled

Follow these easy steps for a quick and safe repair for both pneumatic and solid tyres:

1. Turn off the power to the controller.
2. Set the power chair up on blocks.
3. If you are changing a pneumatic tyre, completely deflate it before removing the wheel.
4. Remove the axle nut cap, axle nut and axle washer from the wheel hub. See figure 26.
5. Remove the wheel from the axle.
6. Remove the five (5) Nylock nuts from the inside of the wheel hub.
7. Remove the screws and separate the front and rear rim. See figure 27.
8. Remove the old tube from the pneumatic tyre and replace it with a new tube or replace the entire assembly if it is a solid tyre.
9. Reinstall the screws through the two rim halves and hub. Tighten the five (5) Nylock nuts on the inside of the wheel hub.
10. Slide the wheel back onto the axle. Make sure the axle key is in the axle slot.



**WARNING! Failure to ensure that the axle key is properly installed into the axle slot when mounting the wheel can result in electronic brake failure, personal injury and/or product damage.**

11. Reinstall the axle washer, axle nut and axle nut cap and tighten.



**WARNING! Make sure the centre lug nut is reinstalled and tightened properly.**

12. Inflate pneumatic tyres to the psi/bar/kPa air pressure rating indicated on each tyre.
13. Remove the power chair from the blocks.

## Battery Replacement

A battery wiring diagram is printed on a decal located on the battery door. See figure 28. Refer to the specifications table for correct battery specifications.



**MANDATORY! Battery posts, terminals and related accessories contain lead and lead compounds. Wear goggles and gloves when handling batteries and wash hands after handling.**

**WARNING! Do not replace battery when seat is occupied.**

**WARNING! The batteries on your power chair should only be serviced or replaced by a Quantum Rehab Dealer or a qualified technician.**



**WARNING! Power chair batteries are heavy. See specifications table. If you are unable to lift that much weight, be sure to get help. Use proper lifting techniques and avoid lifting beyond your capacity.**

## VI. CARE AND MAINTENANCE



**WARNING!** Do not mix old and new batteries. Always replace both batteries at the same time.



**PROHIBITED!** Keep tools and other metal objects away from the battery terminals. Contact with tools can cause electrical shock.

You may need the following to change your batteries:

- metric/standard socket set and ratchet
- adjustable spanner

**To replace the batteries:**

1. Turn off the power to the controller.
2. Ensure the power chair is in drive mode.
3. Remove the battery securement hardware using a spanner and hex key.
4. Slide the battery tray back. **See figure 28.**
5. Disconnect the battery harness.
6. Unfasten the battery strap.
7. Lift the battery box out of the power base.
8. Install the new batteries into the battery box. **See figure 28.**
9. Reinstall the battery box into the battery tray.
10. Reconnect the battery harness.
11. Slide the battery tray back into place and reinstall the battery securement hardware. **See figure 28.**



**WARNING!** Make sure you tighten the fasteners so that the connections are secure.

12. Charge the batteries. See V. "Batteries and Charging."



# VI. CARE AND MAINTENANCE

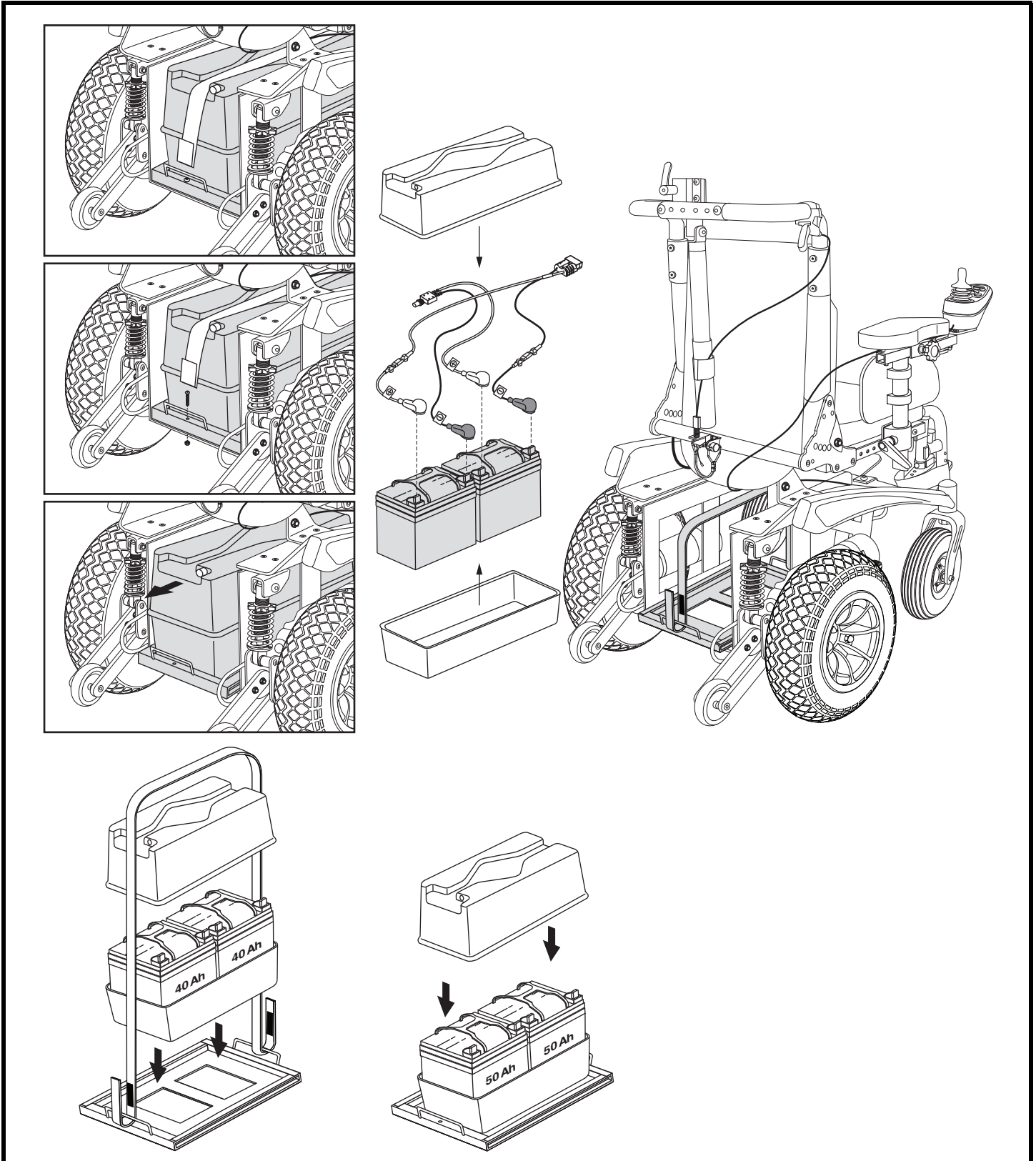


Figure 28. Battery Replacement

## VI. CARE AND MAINTENANCE

### When to See Your Quantum Rehab Dealer for Service

The following symptoms could indicate a serious problem with your power chair. If necessary, contact your Quantum Rehab Dealer. When calling, have the model number, serial number, nature of the problem and the trouble code if available.

- Motor noise
- Frayed harnesses
- Cracked or broken connectors
- Uneven wear on any of the tyres
- Jerky motion
- Pulling to one side
- Bent or broken wheel assemblies
- Does not power up
- Powers up, but does not move
- Loose seat or seating components

### Corrective Maintenance

**If the battery condition meter does not light up when you turn on the power:**

- Check the harness connections. Make sure they are tight.
- Check the circuit breaker. Reset it if necessary.
- Check the battery connections.

If the above conditions prove normal, you can load test the batteries with a battery load tester. These testers are available at automotive parts stores. Disconnect both batteries before load testing and follow the directions that come with the load tester. If either one of the batteries fails the load test, replace both of them. If your power chair still does not power up, contact your Quantum Rehab Dealer.



# VII. WARRANTY

## **LIFETIME LIMITED WARRANTY**

Structural frame components, including: platform, fork, seat post and frame welds.

## **TWO-YEAR LIMITED WARRANTY**

Drivetrain, including: differential, motor and brake.

## **EIGHTEEN-MONTH LIMITED WARRANTY**

Controllers: Any attempt to open or dismantle these parts will lead to this warranty being void.

## **ONE-YEAR LIMITED WARRANTY**

All electrical parts, including battery chargers, are covered for one year under warranty. Any attempt to open or dismantle these items will lead to this warranty being void.

## **BATTERIES**

Batteries are covered by a twelve-month warranty from the original manufacturer.

## **NOT COVERED UNDER WARRANTY**

The following parts are classed as wear items, which may, under normal wear and tear, require replacing. These items are not therefore covered under warranty: tyres, positioning belts, bulbs, upholstery, plastic shrouds, motor brushes, fuses and batteries. Warranty will also be refused if damage is deemed to have been caused through misuse or accident for which Pride Mobility Products Ltd. cannot be deemed responsible.

*NOTE: Pride Mobility Products Ltd. provides parts only under warranty. Your Quantum Rehab Dealer is responsible for labour and service. Please contact your Quantum Rehab Dealer for information about these services and for any applicable charges.*

# NOTES



# Quality Control – Sparky

**Inclusion of all Parts**

\_\_\_\_\_  
**Joystick Serial Number**

\_\_\_\_\_  
**Controller Serial Number**

\_\_\_\_\_  
**Left Motor Serial Number**

\_\_\_\_\_  
**Right Motor Serial Number**

**Fit and Finish**

**Performance**



Pride keeps a more detailed report on file at the factory.

\_\_\_\_\_  
**Date Inspected**

\_\_\_\_\_  
**Inspector**

\* I NFMANU4200 \*

\_\_\_\_\_  
**Product Serial #**