

**kids  
UP**™

**Activity Base**



**OWNER'S MANUAL**

**Pride**®  
Mobility Products Corp.  
[www.pridemobility.com](http://www.pridemobility.com)

# SAFETY GUIDELINES



**WARNING! A Quantum Rehab Provider or a qualified technician must perform the initial setup of this activity base and must perform all of the procedures in this manual.**

The symbols below are used throughout this owner's manual and on the activity base to identify warnings and important information. It is very important for you to read them and understand them completely.



**WARNING! Indicates a potentially hazardous condition/situation. Failure to follow designated procedures can cause either personal injury, component damage, or malfunction. On the product, this icon is represented as a black symbol on a yellow triangle with a black border.**



**MANDATORY! These actions should be performed as specified. Failure to perform mandatory actions can cause personal injury and/or equipment damage. On the product, this icon is represented as a white symbol on a blue dot with a white border.**



**PROHIBITED! These actions are prohibited. These actions should not be performed at any time or in any circumstances. Performing a prohibited action can cause personal injury and/or equipment damage. On the product, this icon is represented as a black symbol with a red circle and red slash.**

## INTENDED USE

The intended use of the Pride Mobility Products device is to assist persons limited to a seated position in performing activities that the persons would otherwise find difficult to do or be unable to do.

## Quick Reference Information

Quantum Rehab Provider: _____
Address: _____
Phone Number: _____
Purchase Date: _____ Product Serial #: _____

**NOTE: This owner's manual is compiled from the latest specifications and product information available at the time of publication. We reserve the right to make changes as they become necessary. Any changes to our products may cause slight variations between the illustrations and explanations in this manual and the product you have purchased. The latest/current version of this manual is available on our website.**

**NOTE: This product is compliant with WEEE, RoHS, and REACH directives and requirements.**

**NOTE: The Kids UP Activity Base and its components are not made with natural rubber latex. Consult with the manufacturer regarding any after-market accessories.**



# CONTENTS

<b>SAFETY GUIDELINES</b> .....	2
<b>I. INTRODUCTION</b> .....	4
<b>II. SAFETY</b> .....	5
<b>III. YOUR ACTIVITY BASE</b> .....	7
<b>IV. CARE AND MAINTENANCE</b> .....	10
<b>V. SPECIFICATIONS</b> .....	11

## LANGUAGE USAGE

This owner's manual is intended for distribution in all English-speaking countries where Pride Power Chairs are sold. We have chosen to compose this manual using language and spelling common to the USA. Since we recognize that not all English-speaking countries use the same words or spellings, please refer to the following chart for some common word variations that may be encountered throughout this manual.

USA	Variation		USA	Variation		USA	Variation
asphalt	tarmac		backward(s)	rearward(s)		center	centre
color	colour		cord	lead		curb	kerb
elevator	lift		meter	metre		provider	dealer; agent
sidewalk	pavement		tire	tyre		trunk	boot
turn signal	turn indicator		yard	grounds		wrench	spanner
caster	castor		pocketbook	handbag		counterclockwise	anticlockwise
authorized	authorised		path	footpath		path	bridleway

**Table 1. Word Variations**

# I. INTRODUCTION

## SAFETY

WELCOME to Pride Mobility Products (Pride). The activity base you have purchased combines state-of-the-art components with **safety**, comfort, and styling in mind. We are confident that these design features will provide you with the conveniences you expect during your daily activities. Once you understand how to **safely** operate and care for your activity base, it should give you years of trouble-free operation and service.

**Read and follow** all instructions, warnings, and notes in this manual before attempting to operate your activity base for the first time. You must also read all instructions, warnings, and notes contained in any supplemental instructional booklets that accompanied your wheelchair before initial operation. Your **safety** depends upon you, as well as your provider, caretaker, or healthcare professional in using good judgment.

If there is any information in this manual which you do not understand, or if you require additional assistance for setup or operation, please contact your Quantum Rehab Provider. **Failure to follow the instructions in this manual and those located on your activity base can lead to personal injury and/or damage to the activity base, including voiding the warranty.**

## PURCHASER'S AGREEMENT

By accepting delivery of this product, you promise that you will not change, alter, or modify this product or remove or render inoperable or unsafe any guards, shields, or other safety features of this product; fail, refuse, or neglect to install any retrofit kits from time to time provided by Pride to enhance or preserve the safe use of this product.

## SHIPPING AND DELIVERY

Before using your activity base, make sure your delivery is complete as some components may be individually packaged. If you do not receive a complete delivery, please contact your Quantum Rehab Provider immediately. Where damage has occurred during transport, either to the packaging or content, please contact the delivery company responsible.

## INFORMATION EXCHANGE

We want to hear your questions, comments, and suggestions about this manual. We would also like to hear about the safety and reliability of your new activity base, and about the service you received from your Quantum Rehab Provider. Please notify us of any change of address, so we can keep you apprised of important information about safety, new products, and new options that can increase your ability to use and enjoy your activity base. Please feel free to contact us at the following address:

### USA:

Pride Mobility Products Corporation  
Attn.: Customer Care Department  
182 Susquehanna Avenue  
Exeter, PA 18643-2694  
info@pridemobility.com

Quantum Montana  
312 B Andrea Drive  
Belgrade, MT 59714

### United Kingdom:

Pride Mobility Products Ltd.  
32 Wedgwood Road  
Bicester, Oxfordshire OX26 4UL

### Canada:

Pride Mobility Products Company  
380 Vansickle Road  
St. Catharines, Ontario L2R 6P7

### Australia:

Pride Mobility Products Australia Pty. Ltd.  
20-24 Apollo Drive  
Hallam, Victoria 3803

***NOTE: If you ever lose or misplace your copy of this manual, contact us and we will be glad to send you a new one immediately.***

# II. SAFETY

## PRODUCT SAFETY SYMBOLS

The symbols below are used on the activity base to identify warnings, mandatory actions, and prohibited actions. It is very important for you to read and understand them completely.



**Read and follow the information in the owner's manual.**



**Indicates maximum weight capacity. Stay within the specified weight capacity of your product.**



**Pinch/Crush points exist.**



**Indicates component is for indoor use only.**

# II. SAFETY

## GENERAL GUIDELINES



**MANDATORY! Do not operate your new activity base for the first time without completely reading and understanding this owner's manual.**

Your activity base is a state-of-the-art life-enhancement device designed to increase mobility. Pride provides an extensive variety of products to best fit the individual needs of the activity base user. Please be aware that the final selection and purchasing decision regarding the type of activity base to be used is the responsibility of the activity base user, who is capable of making such a decision, and his/her healthcare professional (i.e., medical doctor, physical therapist, etc.).

The contents of this manual are based on the expectation that a mobility device expert has properly fitted the activity base to the user and has assisted the prescribing healthcare professional and/or the Quantum Rehab Provider in the instruction process for the use of the product.

There are certain situations, including some medical conditions, where the activity base user will need to practice operating the activity base in the presence of a trained attendant. A trained attendant can be defined as a family member or care professional specially trained in assisting a activity base user in various daily living activities.

Below are some precautions, tips, and other safety considerations that will help you become accustomed to operating your activity base safely.

### Safety Check

Pride recommends that you perform a safety check before each use to make sure your activity base operates smoothly and safely. You should be trained in the safe use of this activity base by your Quantum Rehab Provider.

### Perform the following inspections prior to using your activity base:

- Check that all fasteners are tight.
- Check that tilt rod is properly engaged in lock holes.
- Check gas spring cable for damage.
- Check gas spring for leaks and/or wear.
- Check casters for damage.
- Check Reaction Dynamic Seating System, if equipped with that seating option. Make sure it functions smoothly and all fasteners are tightened securely.
- Check frame and side plates for damage.



**WARNING! Never leave your child unattended in the activity base even when the child is strapped in and the manual wheel locks are engaged.**

**WARNING! The activity base is intended to seat only one child at a time. Do not seat more than one child at a time.**

**NOTE: Your Kids UP Activity Base accessorizes your Kids UP Wheelchair. For more information on operating the Kids UP Wheelchair, refer to the owner's manual supplied with your wheelchair.**

**NOTE: The Kids UP Activity Base is designed for only indoor use. Do not use it on rough surfaces. When using your Kids UP Activity Base, an attendant must be present .**

**NOTE: If you discover a problem, contact your Quantum Rehab Provider for assistance.**

# III. YOUR ACTIVITY BASE

## THE KIDS UP ACTIVITY BASE

Your Kids UP Activity Base is only for indoor use and works in conjunction with the shell assembly from your Kids UP wheelchair. The activity base cannot be used without the shell assembly. See figure 1.

**NOTE:** For instructions on operating the shell assembly, refer to the owner's manual supplied with your Kids UP Wheelchair.

**WARNING!** Adjustments made to the activity base may change its center of gravity and may increase the risk of the activity base tipping over. Contact your Quantum Rehab Provider before making adjustments.

**WARNING!** Any modifications changing the structure of the activity base that are done without authorization will void the warranty.



**WARNING!** The activity base should be used only on solid, level surfaces.

**WARNING!** Do not attempt to lift or move the activity base by any of its removable parts. The activity base should be lifted by the side frame members whenever possible. If folded, hold the activity base by the lower side frame tubes. If the shell assembly is in the frame, do not tip the unit to the side or upside down because the shell assembly could release from the frame and cause injury. Always have two people lift to prevent injury and/or damage to the activity base.

**WARNING!** Never attempt to lift the activity base when it is occupied.

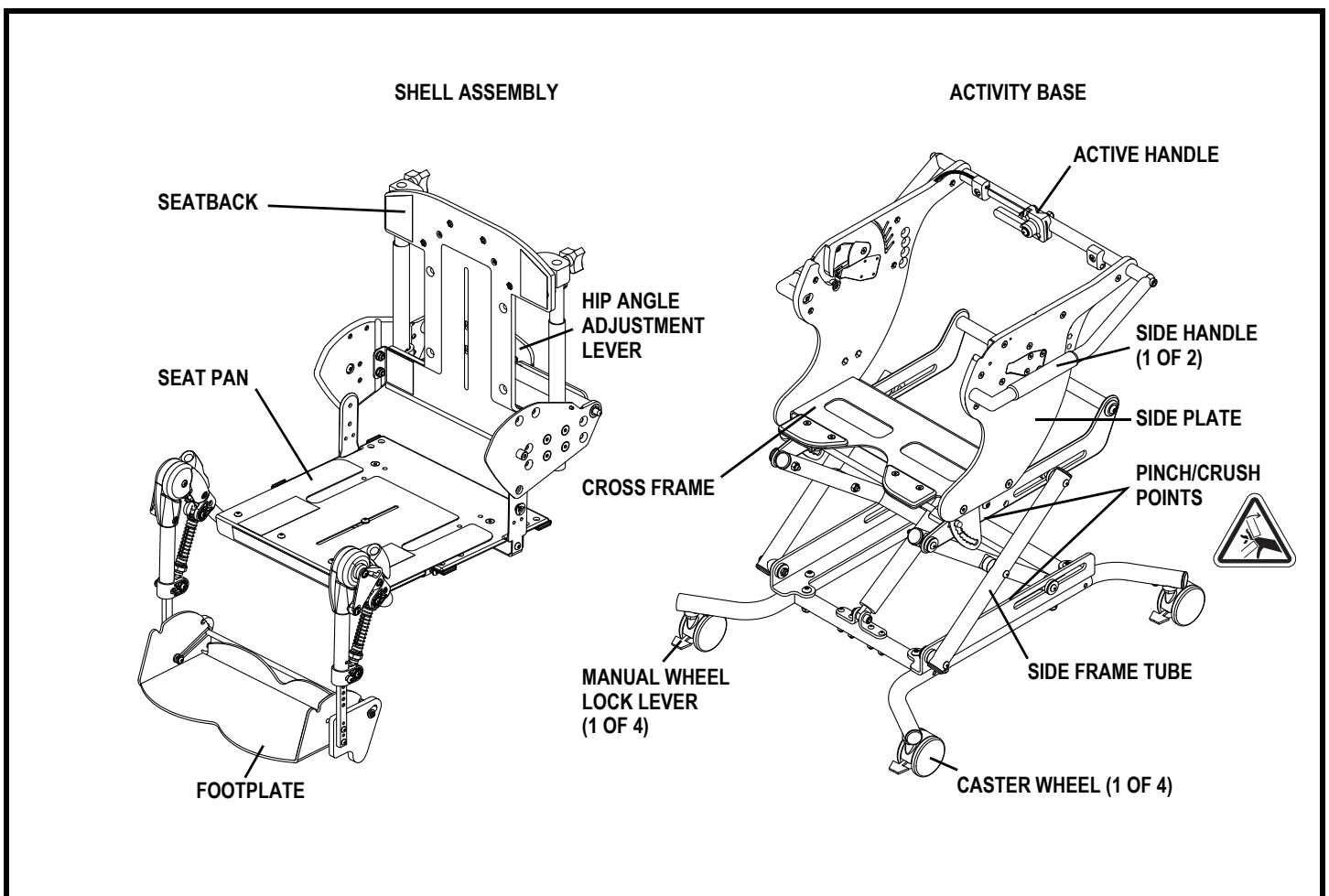


Figure 1. Kids UP Shell Assembly and Activity Base

# III. YOUR ACTIVITY BASE

## Using the Kids UP Activity Base



**WARNING!** Always engage the manual wheel lock levers before transferring the child to and from the shell assembly.

### Using the manual wheel lock levers (see figure 1):

1. To latch the caster wheels, push downward on the four manual wheel lock levers.
2. To unlatch the caster wheels, pull up the four manual wheel lock levers.

## Installing and removing the shell assembly



**WARNING!** Always remove the child from the shell assembly before installing or removing the shell assembly from the activity base. The child should never be seated in the shell assembly if it is not properly attached to the activity base. The activity base should not be used without the shell assembly properly installed.

**NOTE:** For instructions on operating the shell assembly, refer to the owner's manual supplied with your Kids UP Wheelchair.

### To install the shell assembly:

1. Engage the four manual wheel lock levers.
2. Lower the folded shell assembly into the activity base so that the pivot bushings enter the slot above the cross frame of the activity base.
3. Pull up the hip angle adjustment lever and adjust the shell to the desired hip angle position. See figure 2.
4. Ensure the pins of the hip angle lever and the hip angle lever are properly engaged.
5. Turn the ACTIVE handle lever to the “on/unlocked” position and cycle through ACTIVE motion to ensure shell assembly is properly installed. See figure 3.
6. Turn the ACTIVE lever to the “off/locked” position.
7. Disengage the manual wheel lock levers.

### To remove the shell assembly:

1. Engage the four manual wheel lock levers.
2. Turn the ACTIVE lever to the “off/locked” position. See figure 3.
3. Lift up the front of the shell assembly seat pan.
4. Pull up the hip angle lever. See figure 2.
5. Lift the shell assembly up and out of the activity base.
6. Disengage the manual wheel lock levers.

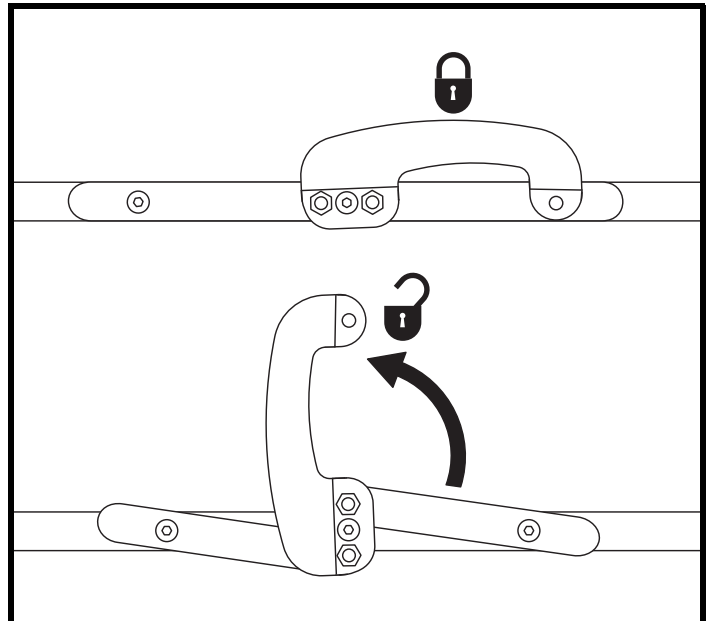


Figure 2. Hip Angle Adjustment Lever on the Shell Assembly

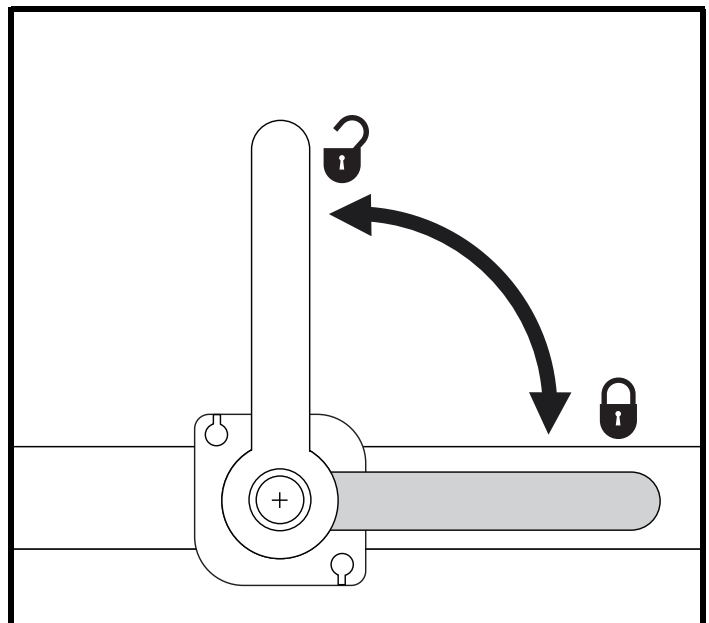


Figure 3. ACTIVE Handle Lock on the Activity Base



# III. YOUR ACTIVITY BASE

## Operating the tilt on the activity base

The activity base has a tilt-in-space mechanism, which allows the shell assembly to be tilted from 0° to 40°.

**WARNING!** Ensure the child's arms, legs, and feet do not extend beyond the shell assembly and foot plate before using the tilt lever on the activity base.



**WARNING!** When changing the tilt of the activity base, make sure to support the rear crossbar of the shell assembly so that the shell assembly doesn't fall rearward.

### To tilt the shell assembly:

1. Engage the four manual wheel lock levers.
2. Pull the tilt lever. See figure 4.
3. Place the shell assembly at the desired angle.
4. Release the tilt lever and ensure the lever engages the lock holes.
5. Disengage the manual wheel lock levers.

## Adjusting the height of the activity base

The height of the activity base can be adjusted to provide a seat-to-floor height of 13 in. to 21 in. (33 cm to 53.3 cm).



**WARNING!** Always ensure the shell assembly is properly attached to the activity base and the child is properly secured in the shell assembly before each use. Always make sure the activity base does not tip forward.

### To lower the activity base:

1. Engage the four manual wheel lock levers.
2. Pull up on the height adjustment handle (see figure 5) and, at the same time, push down on the both side handles of the activity base to set the activity base at the desired height.
3. Disengage the manual wheel lock levers.

### To raise the activity base:

1. Engage the four manual wheel lock levers.
2. Pull up on the height adjustment handle (see figure 5) and, at the same time, pull up on the both side handles of the activity base to set the activity base to the desired height.
3. Disengage the manual wheel lock levers.

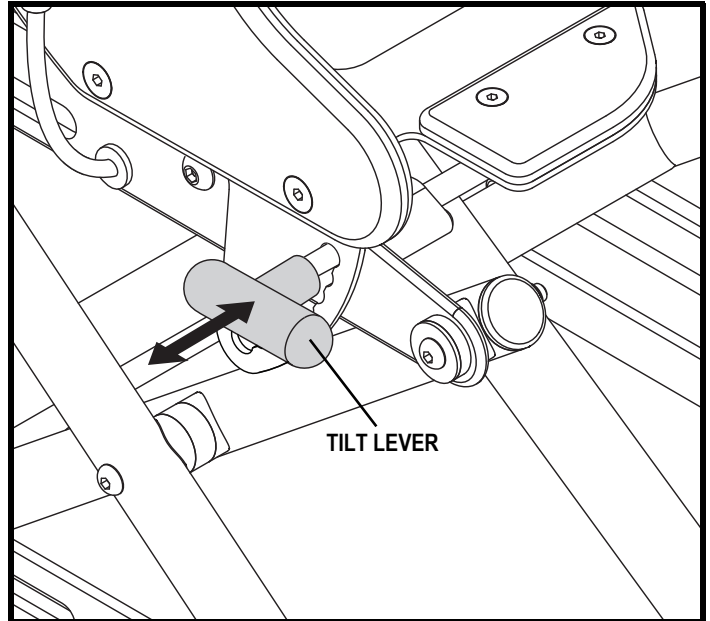


Figure 4. Tilt Lever on the Activity Base

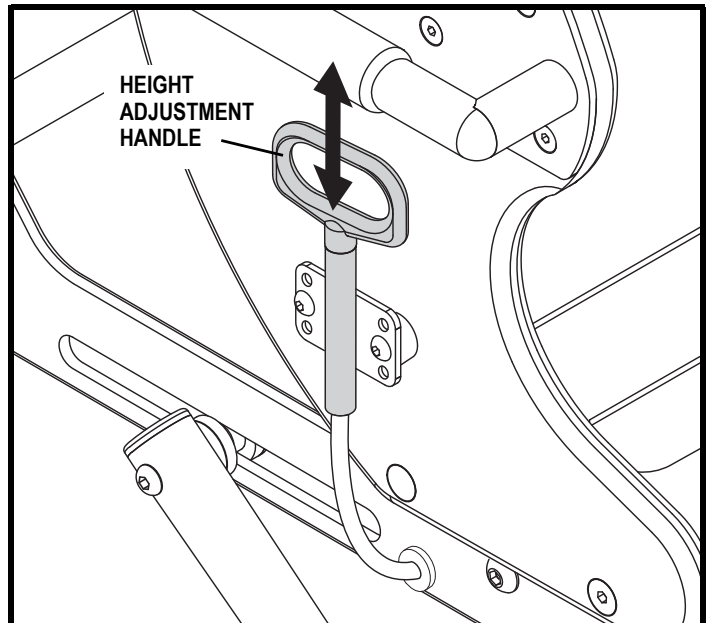


Figure 5. Height Adjustment Handle on the Activity Base

# IV. CARE AND MAINTENANCE

Kids UP Activity Base Maintenance Chart	Weekly	Every 3 months	Every 6 months
Verify all fasteners are tight		X	X
Check tilt rod for proper engagement into lock holes	X	X	X
Check gas spring cable for damage		X	X
Check gas spring for leaks/wear*	X	X	X
Check caster wheels for damage		X	X
Check manual wheel lock function	X	X	X
[Reaction Seating] Verify smooth function, tight fasteners	X	X	X
[Reaction Seating] Check function of active lock system		X	X
[Reaction Seating] Check function of active tension		X	X
Check frame for damage		X	X
Check side plates for damage			X

\*Do not lubricate the gas spring shaft. Doing so will cause damage and void the warranty.

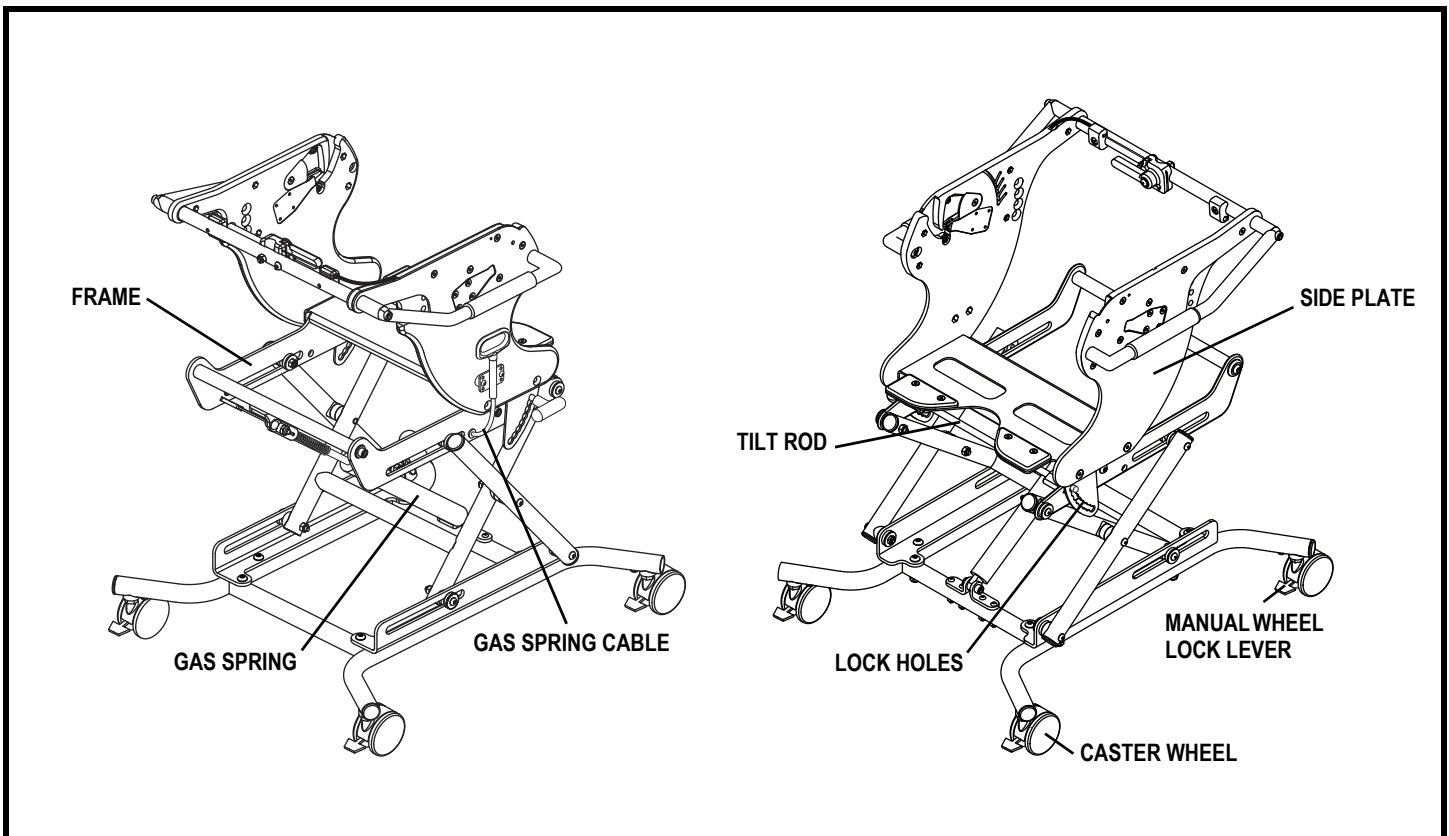


Figure 6. Components of Kids UP Activity Base

## V. SPECIFICATIONS

Weight Limit:	80 lbs. (36.3 kg)
Hip Angle Adjustment:	83°, 90°, 97°, or 104°
Tilt-in-Space Range:	0° to 40°
Base Weight:	21 lbs. (9.5 kg)
Seat-to-Back Active Range:	32°
(Lowered) Dimensions:	Width: 26 in. (66 cm) Height: 20 in. (51 cm) Length: 32.7 in. (83 cm)
Seat-to-Floor Height:	13 in. to 21 in. (33 cm to 53.3 cm)

# NOTES

# NOTES

# NOTES



**kids  
UP** Activity Base



\* I NFMANU4504 \*