



Stealth Premiere P Cushion Order Form

401 York Ave., Duryea, PA 18642 | Phone: 866-800-2002 | Fax: 866-707-3422 | Email: quantumorders@pridemobility.com

Account Number: _____ Date: _____
 Provider Name: _____
 Contact: _____
 Phone: _____ Fax: _____
 Email: _____
 PO Number: _____
 Marked for: _____
 Ship to Address: _____
 City: _____ State: _____ Zip: _____



This form is interactive when viewed with Adobe Acrobat Reader and may not function correctly if opened with applications other than Acrobat. HCPCS codes provided should not be considered as legal advice and do not guarantee reimbursement. DME providers are responsible for determining appropriate billing codes when submitting for insurance reimbursement. All prices are on-chair MSRP. Prices, specifications, part numbers, and availability are subject to change without notice.

PREMIERE P CUSHION

This cushion offers positioning with 4-way stretch, breathable cover. Weight capacity at 14"W is 175 lbs, 15"W to 20"W is 350 lbs, 22"W is 500 lbs. The XXYY portion of all part numbers on this page directly relate to the dimensions of the cushion, where XX represents the width and YY represents the depth. For example, a 16" wide and 18" deep cushion would be ST-PREMP1618. Available sizes are shown on the chart to the right.

1. Cushion Selection

- Premiere P Cushion, 14"-20" Wide, E2605 \$341
 - Premiere P Cushion, 22" Wide, E2606 \$499
- Cushion Part: **ST-PREMPXXYY**
- Cushion Width: _____
- Cushion Depth: _____

		Width							
		14"	15"	16"	17"	18"	19"	20"	22"
Depth	13"								
	14"								
	15"								
	16"								
	17"								
	18"								
	19"								
	20"								
22"									

2. Add Fluid Proof Liner

The Premiere P Cushion is available with optional Fluid Proof Urethane or Fluid Proof Polyurethane Liners.

2.1a. Install Fluid Proof Urethane Liner

- Credit for Urethane Liner (for 21"W and less) -\$53
Part: PTOINDV3927
- Credit for Urethane Liner (22"W and greater) -\$63
Part: PTOINDV3928

2.1b Fluid Proof Urethane Liner

Cushion Size	Part	MSRP	Cushion Size	Part	MSRP	Cushion Size	Part	MSRP
14"W x 13"D ...	URL1709070-1413	\$53	16"W x 19"D ...	URL1709070-1619	\$53	19"W x 17"D ...	URL1709070-1917	\$53
14"W x 14"D ...	URL1709070-1414	\$53	16"W x 20"D ...	URL1709070-1620	\$53	19"W x 18"D ...	URL1709070-1918	\$53
14"W x 15"D ...	URL1709070-1415	\$53	17"W x 16"D ...	URL1709070-1716	\$53	19"W x 19"D ...	URL1709070-1919	\$53
14"W x 16"D ...	URL1709070-1416	\$53	17"W x 17"D ...	URL1709070-1717	\$53	20"W x 16"D ...	URL1709070-2016	\$53
15"W x 14"D ...	URL1709070-1514	\$53	17"W x 18"D ...	URL1709070-1718	\$53	20"W x 17"D ...	URL1709070-2017	\$53
15"W x 15"D ...	URL1709070-1515	\$53	17"W x 19"D ...	URL1709070-1719	\$53	20"W x 18"D ...	URL1709070-2018	\$53
15"W x 16"D ...	URL1709070-1516	\$53	18"W x 16"D ...	URL1709070-1816	\$53	20"W x 19"D ...	URL1709070-2019	\$53
15"W x 17"D ...	URL1709070-1517	\$53	18"W x 17"D ...	URL1709070-1817	\$53	20"W x 20"D ...	URL1709070-2020	\$53
16"W x 16"D ...	URL1709070-1616	\$53	18"W x 18"D ...	URL1709070-1818	\$53	22"W x 18"D ...	URL1709070-2218	\$63
16"W x 17"D ...	URL1709070-1617	\$53	18"W x 19"D ...	URL1709070-1819	\$53	22"W x 20"D ...	URL1709070-2220	\$63
16"W x 18"D ...	URL1709070-1618	\$53	18"W x 20"D ...	URL1709070-1820	\$53	22"W x 22"D ...	URL1709070-2222	\$63

2.2a. Install Fluid Proof Polyurethane Liner

- Install Polyurethane Liner \$0
Part: PTOINDV3918

2.2b. Fluid Proof Polyurethane Liner

Cushion Size	Part	MSRP	Cushion Size	Part	MSRP	Cushion Size	Part	MSRP
14"W x 13"D ...	PUL1709030-1413	\$58	14"W x 14"D ...	PUL1709030-1414	\$58	14"W x 15"D ...	PUL1709030-1415	\$58

Fluid Proof Polyurethane Liner section is continued on the following page.

2.2b Add Fluid Proof Liner continued

Cushion Size	Part	MSRP	Cushion Size	Part	MSRP	Cushion Size	Part	MSRP
14"W x 16"D ...	PUL1709030-1416	\$58	17"W x 16"D ...	PUL1709030-1716	\$58	19"W x 18"D ...	PUL1709030-1918	\$58
15"W x 14"D ...	PUL1709030-1614	\$58	17"W x 17"D ...	PUL1709030-1717	\$58	19"W x 19"D ...	PUL1709030-1919	\$58
15"W x 15"D ...	PUL1709030-1615	\$58	17"W x 18"D ...	PUL1709030-1718	\$58	20"W x 16"D ...	PUL1709030-2016	\$58
15"W x 16"D ...	PUL1709030-1616	\$58	17"W x 19"D ...	PUL1709030-1719	\$58	20"W x 17"D ...	PUL1709030-2017	\$58
15"W x 17"D ...	PUL1709030-1617	\$58	18"W x 16"D ...	PUL1709030-1816	\$58	20"W x 18"D ...	PUL1709030-2018	\$58
16"W x 16"D ...	PUL1709030-1616	\$58	18"W x 17"D ...	PUL1709030-1817	\$58	20"W x 19"D ...	PUL1709030-2019	\$58
16"W x 17"D ...	PUL1709030-1617	\$58	18"W x 18"D ...	PUL1709030-1818	\$58	20"W x 20"D ...	PUL1709030-2020	\$58
16"W x 18"D ...	PUL1709030-1618	\$58	18"W x 19"D ...	PUL1709030-1819	\$58	22"W x 18"D ...	PUL1709030-2218	\$58
16"W x 19"D ...	PUL1709030-1619	\$58	18"W x 20"D ...	PUL1709030-1820	\$58	22"W x 20"D ...	PUL1709030-2220	\$79
16"W x 20"D ...	PUL1709030-1620	\$58	19"W x 17"D ...	PUL1709030-1917	\$58	22"W x 22"D ...	PUL1709030-2222	\$79

3. Alternate Cushion Cover

The The Premiere P cushion is standard with a Coolcore cover which can be substituted with a Mesh Cover. A credit will be applied.

3.1a. Install Mesh Cover

Credit for Mesh as Alternate Cover-\$105
 Part: PTOINDV3885

3.1b. Alternate Mesh Cover

Cushion Size	Part	MSRP	Cushion Size	Part	MSRP	Cushion Size	Part	MSRP
16"W x 16"D	PREMP-MBLK1616	\$105	18"W x 18"D	PREMP-MBLK1818	\$105	20"W x 20"D	PREMP-MBLK2020	\$105
16"W x 18"D	PREMP-MBLK1618	\$105	18"W x 20"D	PREMP-MBLK1820	\$105	22"W x 18"D	PREMP-MBLK1818	\$105
16"W x 20"D	PREMP-MBLK1620	\$105	20"W x 16"D	PREMP-MBLK2016	\$105	22"W x 20"D	PREMP-MBLK2220	\$105
18"W x 16"D	PREMP-MBLK1816	\$105	20"W x 18"D	PREMP-MBLK2018	\$105	22"W x 22"D	PREMP-MBLK2222	\$105

4. Add Solid Base

The Premiere P Cushion is available with optional ABS Flat Rigidizer or ACM Rigidizer.

4.1. ABS Flat Rigidizer

Cushion Size	Part	MSRP	Cushion Size	Part	MSRP	Cushion Size	Part	MSRP
14"W x 13"D ...	DWR1010E190C	\$48	16"W x 19"D ...	DWR1010E191I	\$48	19"W x 17"D ...	MEC1804152-1917	\$48
14"W x 14"D ...	DWR1010E190E	\$48	16"W x 20"D ...	DWR1010E191K	\$48	19"W x 18"D ...	MEC1804152-1917	\$48
14"W x 15"D ...	DWR1010E190E	\$48	17"W x 16"D ...	MEC1804152-1715	\$48	19"W x 19"D ...	MEC1804152-1919	\$48
14"W x 16"D ...	DWR1010E190G	\$48	17"W x 17"D ...	DWR1010E234H	\$48	20"W x 16"D ...	DWR1010E193G	\$58
15"W x 14"D ...	DWR1010E190G	\$48	17"W x 18"D ...	DWR1010E234H	\$48	20"W x 17"D ...	DWR1010E193G	\$58
15"W x 15"D ...	MEC1804152-1515	\$48	17"W x 19"D ...	DWR1010E234J	\$48	20"W x 18"D ...	DWR1010E193I	\$58
15"W x 16"D ...	MEC1804152-1515	\$48	18"W x 16"D ...	DWR1010E192G	\$48	20"W x 19"D ...	DWR1010E193I	\$58
15"W x 17"D ...	DWR1010E232H	\$48	18"W x 17"D ...	DWR1010E192G	\$48	20"W x 20"D ...	DWR1010E193K	\$58
16"W x 16"D ...	DWR1010E191G	\$48	18"W x 18"D ...	DWR1010E192I	\$48	22"W x 18"D ...	DWR1010E193I	\$58
16"W x 17"D ...	DWR1010E191G	\$48	18"W x 19"D ...	DWR1010E192I	\$48	22"W x 20"D ...	DWR1010E194K	\$58
16"W x 18"D ...	DWR1010E191I	\$48	18"W x 20"D ...	DWR1010E192K	\$48	22"W x 22"D ...	DWR1010E194M	\$58

4.2. ACM Rigidizer

Cushion Size	Part	MSRP	Cushion Size	Part	MSRP	Cushion Size	Part	MSRP
15"W x 16"D ...	CUS142467-1616	\$100	17"W x 16"D ...	CUS142467-1816	\$100	18"W x 19"D ...	CUS142466-1818	\$100
15"W x 17"D ...	CUS142467-1616	\$100	17"W x 17"D ...	CUS142467-1816	\$100	18"W x 20"D ...	CUS142466	\$100
16"W x 16"D ...	CUS142467-1616	\$100	17"W x 18"D ...	CUS142467-1818	\$100	19"W x 18"D ...	CUS142466-2018	\$100
16"W x 17"D ...	CUS142467-1616	\$100	17"W x 19"D ...	CUS142467-1818	\$100	19"W x 19"D ...	CUS142466-2018	\$100
16"W x 18"D ...	CUS142467	\$100	18"W x 16"D ...	CUS142466-1816	\$100	20"W x 18"D ...	CUS142465-2018	\$100
16"W x 19"D ...	CUS142467	\$100	18"W x 17"D ...	CUS142466-1816	\$100	20"W x 19"D ...	CUS142465-2018	\$100
16"W x 20"D ...	CUS142467	\$100	18"W x 18"D ...	CUS142466-1818	\$100	20"W x 20"D ...	CUS142465	\$100

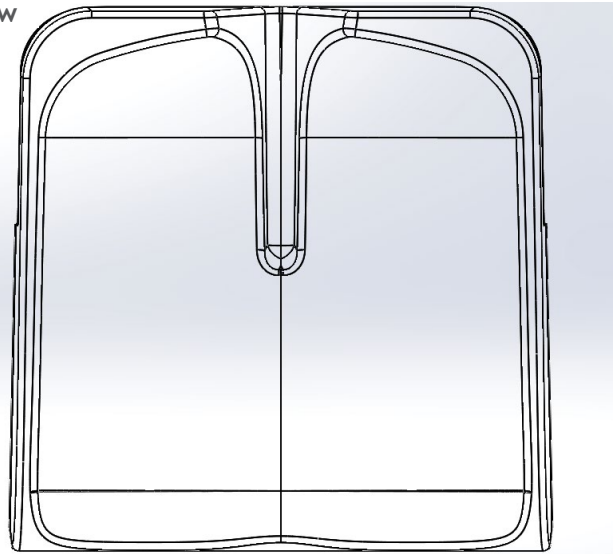
SPECIAL ORDER STEALTH PREMIERE P CUSHION

Please detail your special order cushion request. All special order cushion requests must be approved with the Quantum Custom Department. Please contact Quantum Inside Sales or Custom Department with questions. Extended lead time will apply. Cushion part numbers involved will be the cushion part number listed in previous sections modified to meet special order request stated in details below. Drawings are available below for sketch details.

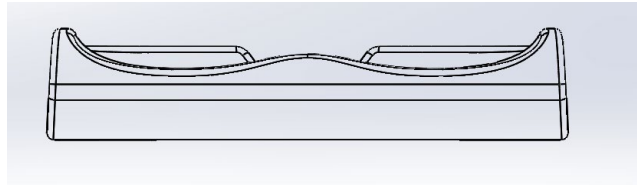
Special Order Stealth Premiere P Cushion. E2605/E2606 \$614 to \$777

Details

Top View



Front View



Right Side View

