

Jazzy 600

Order Form

Group 2
300lb wt capacity



Pride Mobility Products Corporation
182 Susquehanna Ave., Exeter, PA 18643
Phone: (866)800-2002 • Fax: (866) 707-3422



Discount: _____
Terms: _____
Freight: _____
Taken By: _____


Account Number: _____
Provider Name: _____
Contact: _____
Phone: _____
Fax: _____
Date: _____
PO#: _____
Marked For: _____
Ship To Address: _____
City: _____ State: _____ Zip: _____

DME providers are responsible for determining appropriate billing codes when submitting for insurance reimbursement. HCPCS codes should not be considered as legal advice. All prices are MSRP.

BASE MODEL

Description	Price	HCPCS Code
<input type="checkbox"/> Jazzy 600 2S-C	\$5363	K0823
<input type="checkbox"/> Jazzy 600 2S-SS	\$5363	K0822







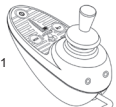
NON-EXPANDABLE CONTROLS (CONT'D)

Description	Price
<input type="checkbox"/> P&G 4-Key VR2, 60 Amp	Standard
<input type="checkbox"/> P&G 6-Key VR2, 60 Amp 	\$200

COLOR

Description	Price
Metallic Colors:	
<input type="checkbox"/> Candy Apple Red	\$52
<input type="checkbox"/> Viper Blue	\$52
<input type="checkbox"/> Onyx Black	\$52
<input type="checkbox"/> Silver	\$52
<input type="checkbox"/> Emerald Green	\$52
<input type="checkbox"/> Sapphire Blue	\$52

EXPANDABLE CONTROLS

Description	Price	HCPCS Code
<i>All Joysticks or Omni Plus must be used in conjunction with PG Controller and Harness for Expandable Controller</i>		
<input type="checkbox"/> PG Controller	\$700	E2377
<input type="checkbox"/> Harness for Expandable Controller	\$350	E2313
<input type="checkbox"/> Remote Plus 3-Key  <input type="checkbox"/> 1 Profile <input type="checkbox"/> Multiple Profile	\$700	
<input type="checkbox"/> Remote Plus 3-Key ¹  With Switch Jacks	\$700	
<input type="checkbox"/> Remote Plus 3-Key ¹  With Speed Dial	\$700	
<input type="checkbox"/> Remote Plus 3-Key ¹  With Toggles	\$700	
<input type="checkbox"/> Remote Plus 3-Key, With Environmental Controls <input type="checkbox"/> 1 Profile <input type="checkbox"/> Multiple Profile 	\$700	
<input type="checkbox"/> Remote Plus 3-Key, With Toggles And Environmental Controls ¹ 	\$700	
<input type="checkbox"/> Remote Plus 3-Key, With Switch Jacks And Environmental Controls ¹ 	\$700	
<input type="checkbox"/> Microdrive Joystick ¹ 	\$700	

BATTERY CHARGER

Description	Price
<input type="checkbox"/> 5 Amp Off-board Charger	Standard

DRIVE WHEEL

Description	Price
<input type="checkbox"/> 14" Pneumatic	No Charge
<input type="checkbox"/> 14" Flat Free	\$213

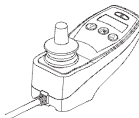


BASE MOUNTED FOOT PLATFORM

Description	Price
<input type="checkbox"/> Base Mounted Foot Platform Installed	Standard
<input type="checkbox"/> No Base Mounted Foot Platform	No Charge

BATTERIES (INSTALLED)



Description	Price	HCPCS Code
<input type="checkbox"/> NF-22, 50 AGM	\$255	E2361
<input type="checkbox"/> NF-22, 50Gel Cell	\$295	E2361

NON-EXPANDABLE CONTROLS

Description	Price
<input type="checkbox"/> 75 Amp NE 	Standard
<input type="checkbox"/> 75 Amp NE+ 6-Key For Up To 2 Actuators Thru Joystick 	\$200
<input type="checkbox"/> 75 Amp NE+ 8-Key For Lights 	\$400

1. Standard with 5 individual drive profiles.

PROGRAMMER

Description	Price
<input type="checkbox"/> Q-Logic Handheld Programmer 	\$545
<input type="checkbox"/> Q-Logic Programming Cable w/ Disk ¹	\$750
<input type="checkbox"/> P&G Programmer 	\$423

1. Works with Q-Logic EX and NE+ 6-Key only.

JOYSTICK MOUNTS

Description	Price	HCPCS Code
<i>Comes Standard with a Quick Release, Adjustable-Height Joystick Block</i>		
<input type="checkbox"/> Fixed Inline Side: <input type="checkbox"/> Left <input type="checkbox"/> Right	Standard	
<input type="checkbox"/> Swing-away Side: <input type="checkbox"/> Left <input type="checkbox"/> Right Style: <input type="checkbox"/> Inline <input type="checkbox"/> Offset Length: <input type="checkbox"/> 4" Ext. <input type="checkbox"/> 7" Ext. ¹	\$210	E1028
<input type="checkbox"/> Multi-axis Fixed Side: <input type="checkbox"/> Left <input type="checkbox"/> Right	\$100	K0108

1. In iQuantum choose in addition to Swing-Away 4" mount.

JOYSTICK HANDLES

Description	Price	HCPCS Code
<input type="checkbox"/> Standard Carrot Handle	Standard	
<input type="checkbox"/> Mushroom Handle	\$71	E2323
<input type="checkbox"/> T-Bar	\$107	E2323
<input type="checkbox"/> Chin Cup	\$71	E2324 ¹
<input type="checkbox"/> Extended I-Handle	\$71	E2323
<input type="checkbox"/> Soft Ball Handle	\$50	E2323
<input type="checkbox"/> Medium Ball Handle	\$50	E2323
<input type="checkbox"/> Bodypoint 3" Goal Post Handle	\$66	E2323
<input type="checkbox"/> Bodypoint 4" Goal Post Handle	\$66	E2323

1. Use HCPCS code E2323 when not used in conjunction with a chin control.

CONTOURED SEATING

Description	Price
Depth Adjustable High Back: <input type="checkbox"/> Limited Recline Depth Adjustable High Back w/ Headrest ¹ Color: <input type="checkbox"/> Black Vinyl Size: <input type="checkbox"/> 18"W x 18-20"D <input type="checkbox"/> 20"W x 18-20"D	No Charge
High Back with Solid Seat Pan: <input type="checkbox"/> Limited Recline High-Back with Headrest & Solid Seat Pan Color: <input type="checkbox"/> Black Vinyl Size: <input type="checkbox"/> 16"W x 16"D <input type="checkbox"/> 16"W x 18"D <input type="checkbox"/> 16"W x 20"D <input type="checkbox"/> 18"W x 16"D <input type="checkbox"/> 18"W x 18"D <input type="checkbox"/> 18"W x 20"D <input type="checkbox"/> 20"W x 16"D <input type="checkbox"/> 20"W x 18"D <input type="checkbox"/> 20"W x 20"D	No Charge

Armrests:

<input type="checkbox"/> Flip-Up, Removable	No Charge
<input type="checkbox"/> Flip-Up, Height-Adjustable, Removable	\$85 ea. E0973

Armpads:
Left: Full Length Desk Length
Right: Full Length Desk Length

1. Seat comes automatically with a 60" belt. Requires Full Length Arms.

CONTOURED SEATING (CONT'D)

Special Order Seat

_____ "W x _____" D

Seat size can not exceed 22"W x 20"D

Contact your inside sales specialist for pricing

SPECIALTY SEATING

Description	Price	HCPCS Code
<input type="checkbox"/> Specialty Seating Kit	No Charge	
Seat Width: <input type="checkbox"/> 16" <input type="checkbox"/> 18" <input type="checkbox"/> 20"		
Seat Depth: <input type="checkbox"/> 16" <input type="checkbox"/> 17" <input type="checkbox"/> 18" <input type="checkbox"/> 19" <input type="checkbox"/> 20"		
Back Cane Height: <input type="checkbox"/> 18" <input type="checkbox"/> 20" <input type="checkbox"/> 22"		
Back Rest Height: <input type="checkbox"/> 18" <input type="checkbox"/> 20" <input type="checkbox"/> 22"		
Armrests: <input type="checkbox"/> 2-Post, Fixed, Flip Back ¹ <input type="checkbox"/> Flip-Back, Cane Mounted ¹ <input type="checkbox"/> Removable, Adjustable, Quick Height ² <input type="checkbox"/> Removable, Single-Post, Fixed Height Adjustable Heavy Duty <input type="checkbox"/> 8-12" Adjustment <input type="checkbox"/> 10-14" Adjustment	No Charge \$95 ea. \$275 ea. \$150 ea.	 E0973 E0973
Armpads: Left: <input type="checkbox"/> Full Length <input type="checkbox"/> Desk Length Right: <input type="checkbox"/> Full Length <input type="checkbox"/> Desk Length		
Backs: <input type="checkbox"/> Synergy [®] Shape Back Positioning Back <i>See Synergy Shape Back Order Form For Detailed Pricing, Sizes and Codes</i> <input type="checkbox"/> Omit Back <input type="checkbox"/> Sling Back <input type="checkbox"/> Synergy [®] Back with 1.5" Thick Back Cushion Overall Back: <input type="checkbox"/> 18" H <input type="checkbox"/> 19" H <input type="checkbox"/> 20" H <input type="checkbox"/> 21" H Height: <input type="checkbox"/> 22" H <input type="checkbox"/> 23" H <input type="checkbox"/> 24" H <input type="checkbox"/> 25" H Choose Lateral Extensions: <input type="checkbox"/> 6" for 13"-16" H Back \$25 <input type="checkbox"/> 10" for 17"-18" H Back \$25 <input type="checkbox"/> 12" For 19"-22" H Back \$25	Various No Charge \$98 \$275	E2613/E2614

1. Swing-away Laterals Interfere with flip-back arms. Call for configuration with Shape back.
2. Adjustable from 11" to 17"H in 1/2" increments.

SYNERGY[®] SEATING SYSTEMS

Description	Price	HCPCS Code
<input type="checkbox"/> Synergy Seating Frame <input type="checkbox"/> Standard Stem Mounts <input type="checkbox"/> 2" Extended Vertical Stem Mounts ¹ <input type="checkbox"/> Synergy Manual Recline Package ² <input type="checkbox"/> Synergy Manual Tilt Package ³ <i>Max. Seat Size 14"W x 14"D, 75 lbs Weight Capacity</i>	\$434 \$700 \$550	 E1226 K0108

1. Increases seat to floor height by 2". Lowest seat-to-floor height not available.
2. Not available with Flip Back Arms, Cantilever Arms or Shape Back. Requires 22"H canes. Pivot point 2.5" above seat pan.
3. In i-Quantum this option is chosen under "Width Package Type"

SEATING SPECIFICATIONS

Seat Width:

- 10" 11" 12" 13" 14"
 15" 16" 17" 18" 19"
 20"

Seat Width Package:

- 10"W-14"W 14"W-18"W 16"W-20"W

Seat Depth:

- 10" 11" 12" 13" 14"
 15" 16" 17" 18" 19"
 20"

Seat Depth Package:

- 10"D-14"D 14"D-18"D 15"D-20"D

Back Cane Height:

- 14" 15" 16" 17" 18"
 19" 20" 21" 22" 23"
 24" 25"

BACK OPTIONS

Description	Price	HCPCS Code
-------------	-------	------------

Synergy Backs:

- Synergy® Shape Back *Positioning Back* Various E2613/E2614
See Synergy Shape Back Order Form For Detailed Pricing, Sizes and Codes
- Omit Back No Charge
- Sling Back \$98
- Synergy® Back with 1.5" Thick Back Cushion \$275
- Overall Back* 18" H 19" H 20" H 21" H
Height: 22" H 23" H 24" H 25" H
- Choose Lateral Extensions¹:*
- 6" for 13"-16"H Back \$25
 10" for 17"-18"H Back \$25
 12" For 19"-22"H Back \$25
 16" For 23"-25"H Back \$25

- New Design!** TRU-Comfort™ Back *4-way Stretch Material Cover* \$595 E2620
- Width:* 16"W 18" W 20"W

- Overall Back* 20" H 21" H 22" H 23" H
Height²: 24" H 25" H 27" H 28" H

- Width:* 17"W 19"W \$595 E2620

- Overall Back* 22" H 23" H 24" H 25" H
Height²: 27" H 28" H

- Width:* 22"W³ 24"W³ \$695 E2621

- Overall Back* 24" H 25" H 27" H 28" H
Height²:

Tru Comfort Color Shroud Option:

- Black *(Standard color option)*

Metallic Colors:\$100

- Candy Apple Red Silver
 Viper Blue Emerald Green
 Sapphire Blue

Back Options:

- Standard Back Canes Standard
 Omit Push Handles \$125
 Flip Forward Back Canes⁴ \$150
 Omit Push Handles \$125
 Offset (Meso)⁵ \$195
 2" (1" Per Side) 4" (2" Per Side)
 Inset (Endo) \$195
 2" (1" Per Side) 4" (2" Per Side)

1. Lateral extensions are required to mount lateral thoracic supports.
2. Overall Back height measurement is measured from the seat pan to the top of the back, +/- 1/2".
3. Available with offset (meso) brackets.
4. Not available with O2 Holder. May interfere with Lateral Supports and Waterfall Armpads.
5. Dual Post Flip-back Armrests interfere with offset canes.

SYNERGY® ARMRESTS

Description	Price	HCPCS Code
<input type="checkbox"/> Flip Back, Cane Mounted Armrests ¹	No Charge	
<input type="checkbox"/> 2-Post, Flip-back, Height Adjustable, Removable ²	\$150 ea.	E0973
<input type="checkbox"/> Single Post Height Adjustable Removable ³	\$75 ea.	E0973
<input type="checkbox"/> Quad Release Lever		
<input type="checkbox"/> Removable, Single Post, Height Adjustable, Heavy Duty	\$75 ea.	E0973
<i>Height:</i> <input type="checkbox"/> 8"H - 12"H <input type="checkbox"/> 10"H - 14"H		
<input type="checkbox"/> Pediatric, Removable ⁴	\$75 ea.	E0973
<input type="checkbox"/> Quad Release Lever		
<input type="checkbox"/> Height Adjustable Cantilever Armrests ⁵	\$195	K0020
<i>Angle Adjustable: -30° through +30°</i>		

1. Interferes with Swing-Away laterals.
2. Height adjustment from 9"-13" in 1" increments. Interferes with swing-away laterals. Not available with a depth less than 16".
3. Height adjustable from 11" - 17" in 1/2" increments.
4. Height adjustment from 7.75" - 9.75" in 1/2" increments. Not available with full length armpads.
5. Height adjustment from 11"-17" depends on cane height. Not available with Flip Forward Back Canes, Cane Clamp Pushbar, or Shape Back. Call for details when selecting after market arm troughs.

ARMPADS

Description	Price
<input type="checkbox"/> Straight, Full Length (2"x14")	Standard
<input type="checkbox"/> Left <input type="checkbox"/> Right	
<input type="checkbox"/> Straight, Desk Length (2"x10")	No Charge
<input type="checkbox"/> Left <input type="checkbox"/> Right	
<input type="checkbox"/> Waterfall, Full Length (2"x14")	No Charge
<input type="checkbox"/> Left <input type="checkbox"/> Right	
<input type="checkbox"/> Waterfall, Desk Length (2"x10")	No Charge
<input type="checkbox"/> Left <input type="checkbox"/> Right	
<input type="checkbox"/> Falcon Gel, Full Length, (3.5"x14")*	\$160 pr.
<input type="checkbox"/> Left <input type="checkbox"/> Right	
<input type="checkbox"/> Full Length Gel Armpad Mounting Plate <i>(Required)*</i>	\$56.69 ea.
<input type="checkbox"/> Falcon Gel, Desk Length, (3.5"x10")*	\$125 pr.
<input type="checkbox"/> Left <input type="checkbox"/> Right	
<input type="checkbox"/> Desk Length Gel Armpad Mounting Plate <i>(Required)*</i>	\$53.52 ea.

LED LIGHT PACKAGE

Description	Price
<input type="checkbox"/> Through Remote Plus or NE+ 8-Key w/ Lights	\$995

LAP BELTS

Description	Price
<input type="checkbox"/> 38" Lap Belt	Standard
<input type="checkbox"/> 50" Lap Belt	Standard
<input type="checkbox"/> 70" Lap Belt	Standard
<input type="checkbox"/> 80" Lap Belt	Standard
<input type="checkbox"/> 90" Lap Belt	Standard

Items marked with a (*) should be chosen in the Positioning Components screen in iQuantum

HEADRESTS

Description	Price	HCPCS Code
<input type="checkbox"/> No Headrest Required		
TRU-Comfort™ Headrest¹:		
<input type="checkbox"/> 8" W Leatherette	\$205	E0955
<input type="checkbox"/> 8"W TRU-Comfort Plus	\$205	E0955
<input type="checkbox"/> 10" W Leatherette	\$205	E0955
<input type="checkbox"/> 10"W TRU-Comfort Plus	\$205	E0955
<input type="checkbox"/> Removable Headrest Bracket	\$210	E1028
Stealth:		
<input type="checkbox"/> Small (9.75"W x 3"H) (STL-OTSM250)	\$205	E0955
<input type="checkbox"/> Large (11"W x 6"H) (STL-OTLG150)	\$205	E0955
<input type="checkbox"/> Pediatric Comfort Plus (6"W) (CPN350)	\$142	E0955
<input type="checkbox"/> Small Comfort Plus (10"W) (CP250)	\$142	E0955
<input type="checkbox"/> Large Comfort Plus (14"W) (CP150)	\$142	E0955
<input type="checkbox"/> Removable Headrest Bracket ² (HMO475P)	\$210	E1028
<input type="checkbox"/> Swing-away (Flip-down) Headrest Bracket (FDM350)	\$210	
Used in Addition to Removable Headrest Bracket		
Aftermarket Bracket:		
<input type="checkbox"/> Stealth's World's Best Removable Headrest Hardware (TWB485)	\$210	E1028

1. Measurement is taken from the inside of the headrest.

NON-POWERED LEGRESTS

Description	Price	HCPCS Code
<input type="checkbox"/> 60-90° Swing-away Legrests¹	\$162	
<i>(Adjustable in 5° increments)</i>		
<input type="checkbox"/> Standard Extruded Footplates	No Charge	
<i>Standard Extruded Extensions:</i>		
<input type="checkbox"/> 13"-16.5"		<input type="checkbox"/> 15.5"-19.5"
<i>Standard Extruded Footplate Size:</i>		
<input type="checkbox"/> 7.25" x 6"		<input type="checkbox"/> 8.5" x 6"
<input type="checkbox"/> Angle-Adjustable Footplates ²	\$150	
<i>Angle Adjustable Extensions:</i>		
<input type="checkbox"/> 13"-16.5"		<input type="checkbox"/> 15.5"-19.5"
<i>Angle-Adjustable Footplate Size:</i>		
<input type="checkbox"/> 4" x 6"		<input type="checkbox"/> 5" x 6"
<input type="checkbox"/> 5" x 6"		<input type="checkbox"/> 5" x 8"
<input type="checkbox"/> 6" x 8" ³		<input type="checkbox"/> 6" x 11" ⁴
<input type="checkbox"/> 8" x 11" ⁴		
<input type="checkbox"/> Multi-Axis Footplates	\$495	
<i>Multi-Axis Extensions:</i>		
<input type="checkbox"/> 11"-16.5"		<input type="checkbox"/> 15.5"-19.5"
<i>Multi-Axis Footplate Size:</i>		
<input type="checkbox"/> 4" x 6"		<input type="checkbox"/> 5" x 6"
<input type="checkbox"/> 5" x 6"		<input type="checkbox"/> 5" x 8"
<input type="checkbox"/> 6" x 8" ⁴		<input type="checkbox"/> 6" x 11" ⁴
<input type="checkbox"/> 8" x 11" ⁵		
<input type="checkbox"/> High Mount, Clamp-On Footrest*		
<input type="checkbox"/> Angle Adjustable		K0040
<input type="checkbox"/> Small, 4" x 7.75"	\$356	
<input type="checkbox"/> Large, 4.25" x 9.25"	\$356	
<input type="checkbox"/> Multi-Axis		K0040
<input type="checkbox"/> Small, 4" x 7.75"	\$456	
<input type="checkbox"/> Large, 4.25" x 9.25"	\$460	
<input type="checkbox"/> Heavy Duty Drop-In Legrests⁵	\$420	
<input type="checkbox"/> Angle Adjustable Footplates ²	\$150	
<i>Angle Adjustable Extension Length:</i>		
<input type="checkbox"/> 12"-14.5"		<input type="checkbox"/> 14.5" -18"
<i>Angle Adjustable Footplate Size:</i>		
<input type="checkbox"/> 4" x 6"		<input type="checkbox"/> 5" x 6"
<input type="checkbox"/> 5" x 6"		<input type="checkbox"/> 5" x 8"
<input type="checkbox"/> 6" x 8" ⁴		<input type="checkbox"/> 6" x 11" ⁴
<input type="checkbox"/> 8" x 11" ⁵		

1. Possible caster wheel interference when adjusted to less than 70 degrees.
 2. Includes Heel Loops
 3. Causes interference on seat widths less than 18".
 4. Causes interference on seat widths less than 20".
 5. Only available on Synergy Seating.

NON-POWERED LEGRESTS (CONT'D)

Description	Price	HCPCS Code
<input type="checkbox"/> Elevating Legrests⁶	\$325	K0195/E0990
<input type="checkbox"/> Standard Footplates		
<i>Standard Extruded Extension Length:</i>		
<input type="checkbox"/> 11"-14"		<input type="checkbox"/> 14"-17"
<i>Standard Extruded Footplate Size:</i>		
<input type="checkbox"/> 7.25" x 6"		<input type="checkbox"/> 8.5" x 6"
<input type="checkbox"/> Angle Adjustable Footplates ⁷	\$150	
<i>Angle Adjustable Extension Length:</i>		
<input type="checkbox"/> 12"-14.5"		<input type="checkbox"/> 14.5" -18"
<i>Angle Adjustable Footplate Size:</i>		
<input type="checkbox"/> 4" x 6"		<input type="checkbox"/> 5" x 6"
<input type="checkbox"/> 5" x 6"		<input type="checkbox"/> 5" x 8"
<input type="checkbox"/> 6" x 8" ⁸		<input type="checkbox"/> 6" x 11" ⁸
<input type="checkbox"/> 8" x 11" ⁹		
<input type="checkbox"/> Calf Pad Adjustment		
<input type="checkbox"/> 1 Hole		<input type="checkbox"/> 3 Hole
		<input type="checkbox"/> 6 Hole
<input type="checkbox"/> 90° Pediatric Swing-Away Legrests⁶	\$162	
<input type="checkbox"/> Angle Adjustable Footplate ⁷		
<i>Angle Adjustable Extension Length:</i>		
<input type="checkbox"/> 7"-10"		
<i>Angle Adjustable Footplate Size:</i>		
<input type="checkbox"/> 4" x 6"		<input type="checkbox"/> 5" x 6"

6. Legrest Extensions are measured from seatpan to footplate.
 7. Includes Heel Loops.
 8. Causes interference on seat widths less than 18".
 9. Causes interference on seat widths less than 20".

ADJUSTABLE CENTER MOUNT FOOT PLATFORM

Description	Price
<input type="checkbox"/> Adjustable Center Mount Foot Platform ¹	\$250
<i>Includes 10"W x 11"D Split Foot Platform</i>	
<i>Extensions:²</i>	<input type="checkbox"/> 8"-12" Ext. <input type="checkbox"/> 10"-14" Ext
<i>Calf Supports³:</i>	<input type="checkbox"/> Calf Pads (pair)
	<input type="checkbox"/> Small (6"H x 6"W)
<i>Optional Modular Footplate Extension Components/Kits:^{3,4}</i>	<input type="checkbox"/> 4" Width Extension Kit
	<input type="checkbox"/> 2" Bell Shaped, Length Extension Kit
	<input type="checkbox"/> 4" Width Extension with 2" Bell Shaped, Length Extension Kit
	<input type="checkbox"/> 6-Piece Extension Stock Kit
	<i>(Includes all above pieces)</i>
<i>Additional Optional Accessories³:</i>	<input type="checkbox"/> Footplate Connector

1. Only available on Synergy Seating.
 2. Extension length is measured from top of the seat pan to footplate.
 3. Choose in Rigging Accessory Section in iQuantum.
 4. Assembly required. May require seating configuration adjustments to avoid front caster interference.

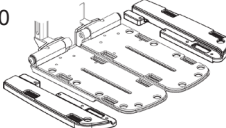
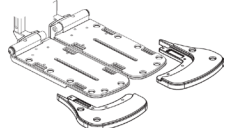
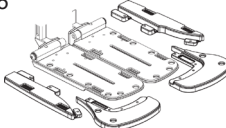
ELECTRONICS FOR POWER LEGRESTS

Description	Price	HCPCS Code
<i>Power Front Riggings Require NE+ or Remote+ Electronics</i>		
<input type="checkbox"/> AFP Through NE+ or Remote+	\$1,175	E2310
<input type="checkbox"/> Combined Legs Through NE+	\$2,375	E2311
<input type="checkbox"/> Independent Legs Through NE+ or Remote+	\$2,375	E2311

New!!!

CENTER MOUNT ARTICULATING FOOT PLATFORM

SYNERGY® CUSHIONS

Description	Price	HCPCS Code
<input type="checkbox"/> Center Mount Articulating Foot Platform ¹ <i>Includes 10"W x 11"D Split Foot Platform</i> Extensions ² : <input type="checkbox"/> 10"-16" Ext. <input type="checkbox"/> 13"-19" Ext. Calf Supports ³ : <input type="checkbox"/> Calf Pads (pair) <input type="checkbox"/> Small (6"H x 6"W) <input type="checkbox"/> Large (8"H x 8"W, Tapered to 6"W) Optional Modular Footplate Extension Components/Kits ^{3,4} <input type="checkbox"/> 4" Width Extension Kit	\$2895	K0108
	\$50	
<input type="checkbox"/> 2" Bell Shaped, Length Extension Kit	\$50	
		
<input type="checkbox"/> 4" Width Extension with 2" Bell Shaped, Length Extension Kit	\$75	
		
<input type="checkbox"/> 6-Piece Extension Stock Kit <i>(Includes all above pieces)</i>	\$95	
<i>Additional Optional Accessories:</i> <input type="checkbox"/> Footplate Connector ¹ <i>(Includes all above pieces)</i>	\$49	
<i>Additional Optional Accessories:</i> <input type="checkbox"/> Footplate Connector ¹	\$49	

1. Only available on Synergy Seating Systems.
2. Extensions measured from top of seatpan to footplate.
3. Choose in Rigging Accessory Section in iQuantum.
4. Assembly required. May require seating configuration adjustments to avoid front caster interference.

POWERED LEGRESTS

Description	Price	HCPCS Code
<input type="checkbox"/> 70° Articulating Swing-Away Legrests, 4" Articulation Range ¹ <input type="checkbox"/> Quad Release Lever Calf Pads ² : <input type="checkbox"/> 6" x 5.35" <input type="checkbox"/> 8" x 5.86" Angle Adjustable Extension Length ³ : <input type="checkbox"/> 11"-13" <input type="checkbox"/> 14.5"-18" Angle Adjustable Footplate Size: <input type="checkbox"/> 4" x 6" <input type="checkbox"/> 5" x 6" <input type="checkbox"/> 5" x 8" <input type="checkbox"/> 6" x 8" ⁴ <input type="checkbox"/> 6" x 11" ⁴ <input type="checkbox"/> 8" x 11" ⁵ Operational Method: <input type="checkbox"/> Independent <input type="checkbox"/> Combined	\$2,395	E1010
<input type="checkbox"/> 70° Articulating Drop-In Legrests ¹ Angle: <input type="checkbox"/> 70° <input type="checkbox"/> 80° Range: <input type="checkbox"/> 4" Range <input type="checkbox"/> 6" Range Calf Pads ² : <input type="checkbox"/> 6" x 5.35" <input type="checkbox"/> 8" x 5.86" Angle Adjustable Extension Length ³ : <input type="checkbox"/> 12"-14.5" <input type="checkbox"/> 14.5"-18" Angle Adjustable Footplate Size: <input type="checkbox"/> 4" x 6" <input type="checkbox"/> 5" x 6" <input type="checkbox"/> 5" x 8" <input type="checkbox"/> 6" x 8" ⁴ <input type="checkbox"/> 6" x 11" ⁴ <input type="checkbox"/> 8" x 11" ⁵ Operational Method: <input type="checkbox"/> Independent <input type="checkbox"/> Combined	\$2,395	E1010

1. Available only on Synergy seating.
2. Choose in Rigging Accessory Section in iQuantum.
3. Extension length is measured from top of the seat pan to footplate.
4. Causes interference on seat widths less than 18".
5. Causes interference on seat widths less than 20".

Description	Price	HCPCS Code
<input type="checkbox"/> No Cushion Required <i>Please refer to Synergy order forms for detailed pricing, sizes and codes.</i>		
Simplicity Cushion General Use <input type="checkbox"/> 16" x 16" - 20" x 20"	\$98	E2601
Solution® 1 Cushion Skin Protection: <input type="checkbox"/> 14" x 14" - 20" x 18" <input type="checkbox"/> 20" x 20"	\$380 \$430	E2603 E2603
Solution® Cushion Skin Protection & Positioning <input type="checkbox"/> 10" x 10" - 20" x 18" <input type="checkbox"/> 20" x 20"	\$380 \$430	E2607 E2607
Spectrum® Gel Cushion Positioning <input type="checkbox"/> 12" x 10" - 20" x 19" <input type="checkbox"/> 20" x 20"	\$480 \$530	E2605 E2605
Spectrum® Visco Cushion Skin Protection & Positioning <input type="checkbox"/> 10" x 10" - 20" x 18" <input type="checkbox"/> 20" x 20"	\$480 \$530	E2607 E2607
Spectrum® Air Cushion Adjustable Skin Protection <input type="checkbox"/> 14" x 12" - 20" x 20"	\$480	E2622
Spectrum® Air Contour Cushion Adjustable Skin Protection & Positioning <input type="checkbox"/> 14" x 12" - 20" x 20"	\$499	E2624
TRU-Comfort™ Seat Cushion General Use <i>Includes Allure leather-like cover</i> <input type="checkbox"/> 16" x 16" - 20" x 20"	\$380	E2601
TRU-Comfort™ Plus Seat Cushion Skin Protection <i>Includes 4-way stretch material cover</i> <input type="checkbox"/> 16" x 16" - 20" x 20"	\$380	E2603

FRONT RIGGING ACCESSORIES

Description	Price	HCPCS Code
<input type="checkbox"/> Wheel Bumpers	\$25	
<input type="checkbox"/> Heel Loops (pair) ¹	\$38	E0951
<input type="checkbox"/> Gel Neoprene Footrest Sleeve (pair) ²	\$65	K0108
<input type="checkbox"/> ELR/ALR Adductor Buttons (pair)	\$125	K0108
<input type="checkbox"/> POSAlinc Knee Adductor for Swing-Away Legrests (pair)*	\$256	K0108
<input type="checkbox"/> POSAlinc Rail Mounted Knee Adductor (pair) *	\$287	K0108
<input type="checkbox"/> Residual Limb Support <input type="checkbox"/> Left <input type="checkbox"/> Right	\$300	E1020
<input type="checkbox"/> Bodypoint Ankle Huggers (pair)* <input type="checkbox"/> Small <input type="checkbox"/> Medium	\$134	K0108

1. Standard with Angle Adjustable or Multi-Axis footplates.
2. Only available with Swing-Away legrests.

LATERALS (SYNERGY ONLY)

Description	Price	HCPCS Code
<input type="checkbox"/> Stealth Thoracic Laterals (pair)* Bracket: <input type="checkbox"/> Swing-Away Rail Mounted	\$450	E1028
<i>For Use on Synergy Back and Tru-Comfort</i> Pad: <input type="checkbox"/> Flat Pad, 3"x5", Leather-Like Cover <input type="checkbox"/> Flat Pad, 4"x6", Leather-Like Cover <input type="checkbox"/> Curved Pad, 2"x3", 4-Way Stretch Cover <input type="checkbox"/> Curved Pad, 3"x5", 4-Way Stretch Cover <input type="checkbox"/> Curved Pad, 4"x6", 4-Way Stretch Cover	\$200 \$200 \$200 \$200 \$200	E0956 E0956 E0956 E0956 E0956
<input type="checkbox"/> Stealth Pelvic/Thigh Laterals* Side: <input type="checkbox"/> Left Side <input type="checkbox"/> Right Side Bracket: <input type="checkbox"/> Removable Bracket (ea.) <input type="checkbox"/> Removable Bracket w/ 1" Offset (ea.) <input type="checkbox"/> Flip Down Bracket (ea.) Pad: <input type="checkbox"/> Short Pad, 4"x4" (ea.) <input type="checkbox"/> Medium Pad, 4"x8" (ea.) <input type="checkbox"/> Long Pad, 4"x12" (ea.) Adapter: <input type="checkbox"/> 2" Depth/Height Adapter Plate (ea.) ²	\$250 \$325 \$225 \$50 \$50 \$50 \$25	E1028 E1028 E1028 E0956 E0956 E0956 K0108

1. Swing-away Laterals Interfere with flip-up armrests.
2. Height adapter plate is needed w/ Tru Comfort seat cushion. Not available on the flip down bracket.

Items marked with a (*) should be chosen in the Positioning Components screen in iQuantum

MISCELLANEOUS POSITIONING COMPONENTS (SYN ONLY)

<i>Description</i>	<i>Price</i>	<i>HCPCS Code</i>
<input type="checkbox"/> Therafin Flip-down Knee Abductor Bracket*	\$172	E1028
<i>Pad:</i>		
<input type="checkbox"/> Small <input type="checkbox"/> Medium <input type="checkbox"/> Large	\$135	E0957
<input type="checkbox"/> Stealth Foot Boxes (pair)*	\$475	K0108
<input type="checkbox"/> Small <input type="checkbox"/> Medium <input type="checkbox"/> Large		
<input type="checkbox"/> Stealth Padded Shoe Holders (pair)*	\$166	K0108
<input type="checkbox"/> Small <input type="checkbox"/> Medium <input type="checkbox"/> X-Large		
<input type="checkbox"/> Otto Bock Arm Channels (ea.)*	\$104	E2209
<i>Side:</i>		
<input type="checkbox"/> Left <input type="checkbox"/> Right		
<i>Size:</i>		
<input type="checkbox"/> Small <input type="checkbox"/> Medium <input type="checkbox"/> Large		
<input type="checkbox"/> Otto Bock Flat Hand Pad(ea.)*	\$52	
<i>Side:</i>		
<input type="checkbox"/> Left <input type="checkbox"/> Right		
<i>Size:</i>		
<input type="checkbox"/> Medium <input type="checkbox"/> Large		

Please see positioning components order form for additional types, sizes and details.

ACCESSORIES

<i>Description</i>	<i>Price</i>	<i>HCPCS Code</i>
<input type="checkbox"/> Rear Basket ¹	\$103	
<input type="checkbox"/> Cane/Crutch Holder ¹	\$98	E2207
<input type="checkbox"/> Weather Cover, Medium, Black	\$158	
<input type="checkbox"/> Cup Holder	\$17 ²	
<i>Side:</i>		
<input type="checkbox"/> Left <input type="checkbox"/> Right		
<input type="checkbox"/> Saddle Bag	\$28	
<input type="checkbox"/> Flag Holder ¹	\$17	
<input type="checkbox"/> Quantum Backpack ³	\$60	
<input type="checkbox"/> Oxygen Holder Contoured Seating ¹	\$103	E2208
<input type="checkbox"/> Oxygen Holder Synergy Seat ⁴	\$150	E2208
<input type="checkbox"/> Walker Holder ¹	\$92	K0108
<input type="checkbox"/> Tablet Holder ⁵	\$315	
<input type="checkbox"/> Deluxe Cell Phone/Media Holder ⁵	\$140	
<input type="checkbox"/> Cell Phone/Media Holder ⁵	No Charge	

1. Includes mounting hardware. Not available on Manual Recliner.
2. No charge on Synergy Seating.
3. Backpack may interfere w/ other rear accessories. Not available w/ contoured seating.
4. Not available with Synergy Manual Tilt. Includes mounting hardware.
5. Only available with Synergy or Specialty seating.

SEAT TO FLOOR HEIGHTS:

Seating System	Seat-To-Floor Height			
	21"	22"	23"	24"
Contoured Seat	21"	22"	23"	24"
Specialty Seat	17"	18"	19"	20"
Synergy Seat (Standard Stem Mounts)	17"	18"		19"
Synergy Seat (Extended Stem Mounts)	19"	20"		21"

Seat to floor height are +/- 1/8" with 18"W x 18"D with Flat-Free tires (add 3/8" for pneumatic tires). Increased widths may increase lowest seat to floor heights.

Items marked with a (*) should be chosen in the Positioning Components screen in iQuantum