

Q1424 Series

Order Form / Price List
Revised: October 2010



Pride Mobility Products Corporation®

182 Susquehanna Ave., Exeter, PA 18643

Sales: Phone: (866) 800-2002 • Fax: (866) 707-3422

This product is available for purchase online at www.mypride.com

Account #:	Date:	Order No.	Fax No.	Phone No.
Bill To:	Ship To:		P.O. #:	Discount:
Address:	Address:			Terms:
Phone Contact:	Marked For:			Freight:
DME providers are responsible for determining appropriate billing codes when submitting for insurance reimbursement. HCPCS codes should not be considered as legal advice.				All pricing is MSRP. Taken By:

SPECIFIC CONFIGURATION

- Q1424 4HD-SS **K0870** \$12,232
- Q1424 4SPHD-SS **K0879** \$12,232
- Q1424 4MPHD-SS **K0886** \$12,232

COLOR

- Champagne NC
- Candy Apple Red NC
- Viper Blue NC
- Onyx Black NC
- Sunburst Orange NC

BATTERIES (2 required)

- Group 24, 70 amp, Gel **E2363** \$352ea
- NF-22, 50-amp Batteries **E2361**
 - Maintenance-free AGM \$255ea
 - Maintenance-free Gel Cell \$295ea

Required with power tilt / recline elevating system

BATTERY CHARGER

- 8 amp Off-board Charger Std.

EXPANDABLE CONTROLS

All joysticks must be used in conjunction w/ a Q-Logic controller

CONTROLLER OPTIONS

- Q-Logic EX Controller Std.
- Harness for Expandable Controller Std.

All joysticks or enhanced display must be used in conjunction w/ a Q-Logic controller

Q-Logic Electronics

- 70 amp Q-Logic EX Joystick^{3,5} Std.
- 70 amp Q-Logic EX Stand Alone Joystick^{3,7} NC

- Q-logic EX Enhanced Display^{27,31} \$1720

(Requires a secondary control to operate the power chair)
Joystick includes electronics & junction boxes.

PROGRAMMER

- Q-Logic Programmer \$423

JOYSTICK MOUNT

- Fixed, In-Line Joystick Mount Std.
 - Left Right
- Quick Disconnect, Joystick Mount^{16,34} NC
 - Left Right
- Swing-away Joystick Mount³³ **E1028** \$210
 - 4" ² 7"
 - Left Right
- Multi-axis Joystick Mount **K0108** \$100
 - Left Right

(Fixed, does not swing-away)
- Vertical Adj. Clamp⁸ **K0108** \$95

Provides vertical joystick adjustment w/o adjusting armrest height.

JOYSTICK HANDLE OPTIONS

- Q-Logic EX Controls**
 - Std. Knob Std.
 - Mushroom Handle **E2323** \$71
 - T-Bar **E2323** \$107
 - Chin Cup **E2324⁴** \$71
 - Extended I-Handle **E2323** \$71
 - Soft Ball Handle **E2323** \$50
 - Medium Ball Handle **E2323** \$50
 - Goal Post Handle **E2323** \$66
 - 3" W 4" W

DRIVE WHEELS

- 16" Pneumatic (pair)³² NC
- Flat-Free Inserts (pair) Std.

CASTER WHEELS

- Pneumatic (pair) Std.
- Flat-Free Inserts (pair) \$105

SWING-AWAY LEGRESTS

- 70° Swing-away footrests Style #8²⁸ \$162
- 80° Swing-away footrests Style #8²⁸ \$162
- 70° Tapered S/A footrests Style #8²⁸ \$162
(N/C with power positioning systems)
- Quad Release Lever NC
- S/A Standard Extensions:** NC
 - 11"-13" Ext. NC
 - 13"-16.5" Ext. Std.
 - 15.5"-19.5" Ext. NC
 - 18.5"-22" Ext. NC

(Lengths over 17" may cause interference)
- Extruded Footplate Std.
- 7.25" x 6" ¹⁰ (Tapered legs require 18"W or greater seat)
- 8.5 x 6" ⁹ (Tapered legs require 20"W or greater seat)

Angle Adjustable Footplates (pair) K0040 \$150

- 4"x6" ⁶ (Tapered legs require 16"W or greater seat)
- 5"x6" ¹⁰ (Tapered legs require 18"W or greater seat)
- 5"x8" ¹⁰ (Tapered legs require 18"W or greater seat)
- 6"x8" ⁹ (Tapered legs require 20"W or greater seat)
- 6"x11" ⁹ (Tapered legs require 20"W or greater seat)
- 8"x11" ¹¹ (Tapered legs require 24"W or greater seat)
- Wheel Bumpers \$25

Multi-Axis Ext. (ball & socket):

- 11"-16.5" Ext.
 - 15.5"-19.5" Ext.
 - 18.5"-22" Ext.
- (Lengths over 17" may cause interference)

Multi-Axis Footplates (pair) K0040 \$495

- 4"x6" ⁶ (Tapered legs require 16"W or greater seat)
- 5"x6" ¹⁰ (Tapered legs require 18"W or greater seat)
- 5"x8" ¹⁰ (Tapered legs require 18"W or greater seat)
- 6"x8" ⁹ (Tapered legs require 20"W or greater seat)
- 6"x11" ⁹ (Tapered legs require 20"W or greater seat)
- 8"x11" ¹¹ (Tapered legs require 24"W or greater seat)
- Wheel Bumpers \$25

FRONT RIGGINGS

- Elevating Leg Rests **E0990** \$325
Adj. Calf Pads w/ ELRS (1 hole std.)
 1 hole 3 holes* 6 holes*

*Potential for interference w/ shrouds

Extensions:

- 11" - 14" Ext.
- 14" - 17" Ext.
- 17" - 20" Ext.

(Lengths over 17" may cause interference)

- HD Drop-Ins, 70^{08,15,20} \$420
- HD Drop-Ins, 80^{08,15,20} \$420

N/A w/ contoured or Specialty seating

- Angle Extensions:** NC
- 12" - 14.5" Ext.
- 14.5" - 18" Ext.
- 17.5" - 21" Ext.

(Lengths over 17" may cause interference)

- Foot Platform²⁹ (Substitute for S/A) NC
- No Front Rigging NC

- Power-elevating, high-pivot^{17,21} Legrests, (calf pads included)¹⁹ **E1010** \$1695

- Independent Combined Synchronized¹⁸

- Power-elevating, Articulating Legrests^{20,21} **E1010** \$2395

- Articulating Range: 4" L Std. 6" L NC

- Set at: 70° 80°

- Independent Combined¹⁶ Synchronized¹⁸

- Swing-away Power-elevating, Articulating Legrests^{17,20,21} **E1010** \$2395

- Articulating Range: 4" L Std.

- Set at: 70° 80°

- Quad Release Lever NC

- Independent Combined Synchronized¹⁸

- Calf Pads Left & Right (6 x 5.35) Std.

- Calf Pads Left & Right (8.00 x 5.86) NC

Footplates (pair)

- Reinforced Footplate Std.

- 7.25" x 6"¹⁰ 8.5 x 6"⁹

- 5"x8" Angle-Adj. Footplate¹⁰ **K0040** \$150

- 6"x8" Angle-Adj. Footplate⁹ **K0040** \$150

- 6"x11" Angle-Adj. Footplate⁹ **K0040** \$150

- 8"x11" Angle-Adj. Footplate¹¹ **K0040** \$150

- Wheel Bumpers (Ang-adj. only) \$25

Extensions:¹²

- 11"-14" Ext.³⁰(\$125 w/ power legs) NC

- 14"-17" Ext Std.

- 17"-20" Ext. NC

- High mount Clamp-on; Ang. Adj. **K0040** \$326

- Small Large

- High mount Clamp-on; Multi-axis **K0040** \$412

- Small Large

- High mount footplatform¹⁹ **K0108** \$450

Lower Extensions

- 10"-14" L

- 14"-17" L

- 17"-20" L

Rigging Options

- Heel Loops (pair)¹³ **E0951** \$38

- Gel Neoprene Footrest Sleeve (pair)¹⁴ **K0108** \$65

- ELR / ALR Adductor Buttons (pair) **K0108** \$100

- POSAlinc Knee Adductor (pair) for S/A legrests **K0108** \$464

- Residual limb support left **E1020** \$300

- Residual limb support right **E1020** \$300

STANDARD SEATING

- Medium-Back **NC**

- Medium-Back w/ Solid Seat Pan^{23,24} **NC**

- Brown Vinyl
- Beige Vinyl
- Gray Vinyl
- Black Vinyl
- Gray Fabric
- Brown Fabric

Medium-Back Seating Dimensions

(Dimensions 18"W x 18"D)

- Width:** 16" NC 18" Std.
- Depth:** 16" NC 18" Std.

UPGRADED SEATING

- Ltd. Recline High-Back w/ Headrest **NC**

- Ltd. Recline High-Back with Headrest^{23,24} w/ Solid Seat Pan **NC**

- Black Vinyl
- Gray Vinyl
- Beige Vinyl
- Gray Fabric
- Brown Fabric

High-Back Seating Dimensions

(Dimensions 18"W x 18"D)

- Width:** 16" NC 18" Std. 20" NC 22" NC 24" NC
- Depth:** 16" NC 18" Std. 20" NC 22" NC 24" NC

22" W AND ABOVE WILL NOT BE LTD RECLINE.

ARMRESTS

For Medium and High-Back Seats

- Flip-up, removable Std.
- Flip-up, height-adjustable **E0973** \$170 removable²⁵

Arm pads

- Desk Length, 10" NC
- Left NC Right NC
- Full Length, 14" NC
- Left Std. Right Std.

POWER ELEVATING SEAT

300 lbs. weight capacity

- Power Elevating Seat \$975
- Through 6-Key VR2 NC
- Through Q-Logic Joystick \$1375
- Lap Belt Std.

MANUAL RECLINER ^{24,26}

- Manual Recline High Back **E1226** \$600

- Manual Recline High Back²³ w/ Solid Seat Pan **E1226** \$600

(180 degrees of Recline)

(Dimensions 18"W x 18"D)

- Gray Vinyl Beige Vinyl
- Width:** 16" NC 18" Std. 20" NC
- Depth:** 16" NC 18" Std. 20" NC

When ordering a lap belt with this seat, an additional 10" is added to accommodate usable length

Footnotes for pages 1 & 2

1. Std. w/ one programmable drive profile.
2. N/A with waterfall armpads and dual post armrests.
3. Needed for controlling power positioning systems.
4. HCPCS code E2323 when not used in conjunction with chin control.
5. Avail. w/ five individual drive profiles.
6. Only avail. on 12" W or greater seats.
7. Avail. w/ 3 profiles.
8. N/A on Specialty, contoured seating or waterfall armpads.
9. Only avail. on 16" W or greater seats.
10. Only avail. on 14" W or greater seats.
11. Only avail. on 20" W or greater seats.
12. Knee to heel length is measured from the top of the legrest to the footplate. It will increase when contoured or rehab seating w/ cushions is selected. The overall length may vary approx. 3" depending on choice of seat and /or cushion.
13. Std. w/ ang-adj. footplates.
14. Avail. w/ S/A footrests & 70 degree HD drop-ins.
15. May cause interference w/ front anti-tips w/ certain seat widths and lower leg lengths. Call Customer Service.
16. N/A w/ 2-post, desk length arms w/ a toggle.
17. Power legrests are only available on TRU-Balance and Synergy Seating Systems. Only the combined & independent motion can be selected on the Synergy Seat.
18. Only avail. on TB Recline.
19. Std. calf pad is not depth adjustable.
20. Std. w/ heel loops & ang-adj. footplates, check size below.
21. N/A on contoured or Specialty seating.
22. Cannot be used w/ power positioning systems.
23. Includes black vinyl seat pan, back available in all listed colors.
24. 18" x 18" std. Special measurements are not available.
25. N/A on manual recliner.
26. Rear mount accessories are N/A.
27. Bluetooth Mouse Emulator requires a run plug harness for either static or power seating. Additional fees will apply.
28. Please note swing away footrests are standard when ordered with Power Positioning.
29. Fixed bracket, does not elevate.
30. 11" - 14" Ext. are N/A w/ power S/A legrests.
31. Please consult specialty controls order form for a variety of secondary controls and mounting options.
32. If ordered w/ reference guides or configuration packages discounts may apply.
33. Can only mount one armrest accessory in combination w/ S/A joystick.
34. N/A w/ waterfall armpads; only available on Quantum Seating Systems and only one option maybe mounted.

Q1424 SeriesOrder Form / Price List
Revised: October 2010**CUSHIONS⁶**

<input type="checkbox"/> Simplicity Cushion		
16 x 16 - 20 x 20	E2601	\$98
22 x 16 - 24 x 24	E2602	\$98
<input type="checkbox"/> Solution 1 Cushion		
14 x 14 - 20 x 18	E2603	\$380
20 x 20 - 20 x 24	E2603	\$430
22 x 16 - 24 x 24	E2604	\$430
<input type="checkbox"/> Solution Cushion		
10 x 10 - 20 x 18	E2607	\$380
20 x 20 - 20 x 24	E2607	\$430
22 x 16 - 24 x 24	E2608	\$430
<input type="checkbox"/> Spectrum Cushion		
<input type="checkbox"/> Gel		
10 x 10 - 20 x 18	E2605	\$480
20 x 20 - 20 x 24	E2605	\$530
22 x 16 - 24 x 24	E2606	\$530
<input type="checkbox"/> Visco		
10 x 10 - 20 x 18	E2607	\$480
20 x 20 - 20 x 24	E2607	\$530
22 x 16 - 24 x 24	E2608	\$530
<input type="checkbox"/> Spectrum Air		
14 x 12 - 20 x 24	K0734	\$480
22 x 16 - 24 x 24	K0735	\$530
<input type="checkbox"/> Spectrum Air Contour		
14 x 12 - 20 x 24	K0736	\$499
22 x 16 - 24 x 24	K0737	\$549
<input type="checkbox"/> No Cushion Required		

SPECIALTY SEATINGSpecialty Seat Kit (limited adjustability) NC**SYSTEM SPECIFICATIONS****Specialty Seating Kit Width**

<input type="checkbox"/> 16"	NC
<input type="checkbox"/> 18"	Std.
<input type="checkbox"/> 20"	NC

Specialty Seating Kit Depth

<input type="checkbox"/> 16"	Std.	<input type="checkbox"/> 17"	NC
<input type="checkbox"/> 18"	NC	<input type="checkbox"/> 19"	NC
<input type="checkbox"/> 20"	NC		

Specialty Seating Kit Back Cane Height

<input type="checkbox"/> 18"	Std.	<input type="checkbox"/> 20"	NC
<input type="checkbox"/> 22"	NC		

BACKS

- Solid Plate Back up to 20" W \$275
See Positioning Components Order Form for additional backs
Omit Back
- Back Height Solid Pan⁴**
- | | |
|-----------------------------------|---------------------------------|
| <input type="checkbox"/> 18" Std. | <input type="checkbox"/> 19" NC |
| <input type="checkbox"/> 20" NC | <input type="checkbox"/> 21" NC |
| <input type="checkbox"/> 22" NC | <input type="checkbox"/> 23" NC |
| <input type="checkbox"/> 24" NC | <input type="checkbox"/> 25" NC |

Sling Back

- 16" wide \$98
18" wide \$98
20" wide \$98

Sling Back Height

(Hgt must match cane hgt.)

- 18" height NC
20" height NC
22" height NC

Push Bar selection must match back width; center tube standard when selecting flip-up arms.**ARMRESTS**

- 2-Post, flip-back¹ Std.
Flip-back, cane mounted¹ \$95ea
Removable, adjustable quick height^{2,7} **E0973** \$275ea
(11"-17" of height adj. 3" on top in 1/2" increments & 3" on bottom in 1" increments)
Removable, height adjustable⁷ **E0973** \$150ea
 heavy duty armrests
8"H-12"H 10"H-14"H

Armrest Pads

- Full Length, straight, 2"x14" NC
-
- Left Right
- Desk Length, straight, 2"x10" NC
- Left Right
- Full Length, Waterfall, 2"x14"⁵ NC
- Left Right
- Desk Length, Waterfall, 2"x10"^{5,8} NC
- Left Right

HEAD REST³

- Stealth **E0955**
- Large (11"W x 6" H) Small (9 3/4" W x 3" H) \$205
- Stealth Comfort Plus **E0955**
- Small (10"W) Large (14" W) \$205
- Removable Head Rest Bracket **E1028** \$210
- Stealth, swing-away (Flip-Down) Head Rest Bracket **E1028** \$210
- Interfaces w/ any headrest that uses 1/2" square down-tube.
- Medical Applications **E0955**
- Large (11"W x 6" H) Small (9 3/4" W x 3" H) \$230
- Removable Head Rest Bracket **E1028** \$235
- Fixed, Offset Mounting Bracket NC

Footnotes for pages 3:

- S/A laterals interfere w/ flip-back arms.
- Tools are required to obtain additional 4" of height adjustment at bottom of armrest. 3" of adjustment at top requires no tools. Total available adjustment range is 11" - 17".
- Only available w/ solid backs.
- Measured from seat pan to top of back pan w/ 3" gap to accommodate the cushion.
- Only avail. on removable, adjustable, quick-height arms.
- See Synergy Cushion order forms for detailed pricing, sizes & codes.
- Desk length armrests w/ an accessory limit the accessibility to the height adj. lever.
- S/A joystick mount N/A.

Q1424 Series

Order Form / Price List
Revised: October 2010

RECOMMENDED INFORMATION

Height: _____
Weight: _____
Leg Length: _____
Lower Leg Length: _____

Synergy Seating Systems

Synergy Seating™ Frame \$434
(On chair MSRP)

WIDTH

Set Seat Width At:

<input type="checkbox"/> 10"	NC	<input type="checkbox"/> 11"	NC
<input type="checkbox"/> 12"	NC	<input type="checkbox"/> 13"	NC
<input type="checkbox"/> 14"	NC	<input type="checkbox"/> 15"	NC
<input type="checkbox"/> 16"	NC	<input type="checkbox"/> 17"	NC
<input type="checkbox"/> 18"	Std.	<input type="checkbox"/> 19"	NC
<input type="checkbox"/> 20"	NC	<input type="checkbox"/> 21"	NC
<input type="checkbox"/> 22"	NC	<input type="checkbox"/> 23"	NC
<input type="checkbox"/> 24"	NC		

Seat Width Package

<input type="checkbox"/> 10"W-14"W	<input type="checkbox"/> 14"W-18"W
<input type="checkbox"/> 16"W-20"W	<input type="checkbox"/> 20"W-24"W

DEPTH

Set Seat Depth At:

<input type="checkbox"/> 10"	NC	<input type="checkbox"/> 11"	NC
<input type="checkbox"/> 12"	NC	<input type="checkbox"/> 13"	NC
<input type="checkbox"/> 14"	NC	<input type="checkbox"/> 15"	NC
<input type="checkbox"/> 16"	Std.	<input type="checkbox"/> 17"	NC
<input type="checkbox"/> 18"	NC	<input type="checkbox"/> 19"	NC
<input type="checkbox"/> 20"	NC	<input type="checkbox"/> 21"	NC
<input type="checkbox"/> 22"	NC	<input type="checkbox"/> 23"	NC
<input type="checkbox"/> 24"	NC		

Seat Depth Package

<input type="checkbox"/> 10"D-14"D	<input type="checkbox"/> 14"D-18"D
<input type="checkbox"/> 16"D-20"D	<input type="checkbox"/> 20"D-24"D

Please consult your Quantum Specialist or contact the Custom Group before ordering

BACK CANES¹¹

<input type="checkbox"/> Back Canes w/ push handles	Std.
<input type="checkbox"/> Back Canes w/out push handles	\$125
<input type="checkbox"/> Flip Forward ¹²	\$150
<input type="checkbox"/> Offset (Meso) \$195	<input type="checkbox"/> Inset (Endo) \$195
<input type="checkbox"/> 2" (1" per side) <input type="checkbox"/> 4" (2" per side)	
N/A with TRU-Comfort, Dual Post, Flip-back armrests may interfere with offset armrests .	
N/A w/ any reclining systems.	

Actual Back Cane Height is reflected in measurement

Back Cane Height

<input type="checkbox"/> 14"	NC	<input type="checkbox"/> 15"	NC
<input type="checkbox"/> 16"	NC	<input type="checkbox"/> 17"	NC
<input type="checkbox"/> 18"	Std.	<input type="checkbox"/> 19"	NC
<input type="checkbox"/> 20"	NC	<input type="checkbox"/> 21"	NC
<input type="checkbox"/> 22"	NC	<input type="checkbox"/> 23"	NC
<input type="checkbox"/> 24"	NC	<input type="checkbox"/> 25"	NC

BACK OPTIONS

- Solid Plate Back up to 20" W \$275
- Solid Plate Back up to 21-24" W \$325
- See Positioning Components Order Form for additional backs
- Omit Back
- Back Height:⁴**
 - 18"H 19"H 20"H 21"H
 - 22"H 23"H 24"H 25"H
 - Sling Back \$98

Back height will be the same as back cane height.
Includes gap for cushion.
Push Bar selection must match back width; center tube standard when selecting flip-up arms.

TRU-Comfort Back³⁹
(Even sizes only 16" W - 22"W)

- Std. New Plus
- Back Height:** 22" 25"
- Back up to 20" W **E2620** \$595
- Back up to 22"W **E2621** \$695

- TRU-Comfort Cushion
- 16 x 16 - 20 x 18 **E2601** \$380
- 20 x 20 - 20 x 22 **E2601** \$380
- 22 x 16 - 22 x 24 **E2602** \$480
- TRU-Comfort Plus Cushion
- 16 x 16 - 20 x 18 **E2603** \$380
- 20 x 20 - 20 x 22 **E2603** \$380
- 22 x 16 - 22 x 24 **E2604** \$480
- Omit Back -(\$100)

See TRU-Comfort Back & Cushion order forms for specific sizes

TRU-Comfort Plus-utilizes a 4-way stretch material cover on cushions & backs

ARMRESTS

- Flip-back, cane mounted⁵ Std.
 - 2-Post, flip-back, height^{2,5} **E0973** \$150ea adjustable, removable armrests (9"-13" of height adjustment in 1" increments)
 - Single Post Height adj., removable^{6,10} \$75ea 11"-17" of height adj. 3" on top in 1/2" **E0973** increments & 3" on bottom in 1" increments
 - Quad Release Lever NC (11"-17" of height adj in 3/8" increments)
 - Removable, height adjustable **E0973** \$75ea heavy duty armrests¹⁰
 - 8"H-12"H 10"H-14"H
 - Cantilever Armrests¹³ SOF
- Angle-Adjustable: - 30° through + 30°

ARMPADS

- Full length, Straight, 2" X 14" Std.
- Left Right
- Desk Length, Straight, 2" X 10" Std.
- Left Right
- Full Length, Waterfall, 2" X 14"⁷ NC
- Left Right
- Desk Length, Waterfall, 2" X 10"^{1,7} NC
- Left Right

HEAD REST⁸

- Stealth **E0955**
 - Large (11"W x 6" H) Small (9 3/4" W x 3" H) \$205
 - Stealth Comfort Plus **E0955**
 - Small (10"W) Large (14" W) \$205
 - Removable Head Rest Bracket **E1028** \$210
 - Stealth, swing-away (Flip-Down) Head Rest Bracket **E1028** \$210
- Interfaces w/ any headrest that uses 1/2" square down-tube.

- Medical Applications E0955**
 - Large (11"W x 6" H) Small (9 3/4" W x 3" H) \$230
 - Removable Head Rest Bracket **E1028** \$235
 - Fixed, Offset Mounting Bracket NC

- TRU-Comfort E0955**
 - 8" W Leatherette \$205
 - 10" W Plus \$205

- Cobra Removable Head Rest Bracket **E1028** \$210
- Removable Bracket for **E1028** \$210 after market headrest

Footnotes for pages 4:

1. N/A w/ S/A joystick mount.
2. May cause interference with certain dimension configurations. Call Quantum Customer Service.
3. N/A w/ flip-back, cane mounted arms.
4. Measured from seat pan to top of back pan w/ 3" gap to accommodate the cushion.
5. S/A laterals interfere w/ flip-back arms.
6. Tools are required to obtain additional 4" of height adjustment at bottom of armrest. 3" of adjustment at top requires no tools. Total available adjustment range is 11" - 17".
7. Only avail. on removable, adjustable, quick-height arms & pediatric arms.
8. Available w/ solid backs only.
9. Back height is measured from the top of a 3" cushion on the seat.
10. Desk length armrests w/ an accessory limit the accessibility to the height adj. lever.
11. Height is measured from seat pan to top of cane.
12. N/A w/ TB power recline, Endo/Meso canes, Synergy Manual Systems, vent trays, bariatric ampads, occupied transit kit and TRU-Comfort or sling backs. May also interfere w/ lateral supports and waterfall ampads.
13. Height Adjustment 11" - 17" depends on back cane height. N/A w/ manual recline, flip-forward back canes, Cane Clamp, Push Bar, Shape Back, Sling back & Specialty Seat Call for details when selecting after market arm troughs or Universal Swivel w / desk length arms.

TRU-BALANCE TILT

TRU-Balance Power Tilt E1002 \$4995

55 degree center of gravity (CG) power tilt seating system. 300lbs weight capacity.

Must select TB HD for 400 lbs weight capacity

TRU-BALANCE HD TILT

TRU-Balance Power Tilt E1002 \$4995

55 degree center of gravity (CG) power tilt seating system. 400 lbs. weight capacity

TRU-BALANCE RECLINE

TRU-Balance Power Recline E1004 \$5595

Full Drive lock-out at 20 degrees 300 lbs. weight capacity

TRU-BALANCE TILT & RECLINE

TRU-Balance Power Tilt & Recline E1007 \$9595

Full Drive lock-out at 20 degrees 300 lbs. weight capacity. 55 degree center of gravity (CG) power tilt seating system.

TRU-Balance Power-Elevating Seating Option¹⁶ \$1895

7" of Lift & 1/4 Speed Inhibit- 300 lbs. max. wt.

TRU-BALANCE 10" LIFT

TRU-Balance 10" of Lift \$2,895

- 10" of scissor Lift, must select TB Tilt or TB Tilt & Recline in conjunction with this lift

- 1/4 Speed Inhibit

- 300 lbs. max. wt.

- Allowable dimensions 16" x 16" - 22" x 20"

- Requires Q-Logic, N/A w/ Q-logic & toggle

- N/A w/ TB Recline only or Manual Recline

- N/A w/ static seating

- Requires fixed towers

- Increases seat-to-floor

TRU-BALANCE 7" PES

TRU-Balance Power Elevating Seat¹⁶ \$1,895

- 7" of lift w/ power elevating seat

- 1/4 Speed Inhibit

- 300 lbs. max. wt.

- 20" x 20" max. seat dimensions

- N/A w/ static seating

SYSTEM SPECIFICATIONS

Tower Selection (Tilt or Tilt/Recline only)

Adjustable-angle Std.

Will raise minimum STF by 7/8".

Fixed NC

Set Seat Width At:

<input type="checkbox"/> 14" NC	<input type="checkbox"/> 15" NC
<input type="checkbox"/> 16" NC	<input type="checkbox"/> 17" NC
<input type="checkbox"/> 18" Std.	<input type="checkbox"/> 19" NC
<input type="checkbox"/> 20" NC	<input type="checkbox"/> 21" NC
<input type="checkbox"/> 22" NC	<input type="checkbox"/> 23" NC
<input type="checkbox"/> 24" NC	

Seat Width Package

<input type="checkbox"/> 14"W-18"W	<input type="checkbox"/> 6"W-20"W
<input type="checkbox"/> 20"W-24"W	

Set Seat Depth At:

<input type="checkbox"/> 14" NC	<input type="checkbox"/> 15" NC
<input type="checkbox"/> 16" Std.	<input type="checkbox"/> 17" NC
<input type="checkbox"/> 18" NC	<input type="checkbox"/> 19" NC
<input type="checkbox"/> 20" NC	<input type="checkbox"/> 21" NC
<input type="checkbox"/> 22" NC	<input type="checkbox"/> 23" NC
<input type="checkbox"/> 24" NC	

Seat Depth Package

<input type="checkbox"/> 14"D-18"D	<input type="checkbox"/> 16"D-20"D
<input type="checkbox"/> 20"D-24"D	

Push Bar selection must match back width; center tube standard when selecting flip-up arms.

Please consult your Quantum Specialist or contact the Custom Group before ordering

BACK CANES¹³

<input type="checkbox"/> Back Canes w/ push handles	Std.
<input type="checkbox"/> Back Canes w/out push handles	\$125
<input type="checkbox"/> Flip Forward ²⁴	\$150
<input type="checkbox"/> Offset (Meso) \$195	<input type="checkbox"/> Inset (Endo) \$195
<input type="checkbox"/> 2" (1" per side)	<input type="checkbox"/> 4" (2" per side)
N/A with TRU-Comfort, Dual Post, Flip-back armrests may interfere with offset armrests .	
N/A w/ any reclining systems.	

Actual Back Cane Height is reflected in measurement

22" Fold-down back canes \$250

Only Avail. on Tilt & Lift & Tilt

Set Back Cane Height At:

<input type="checkbox"/> 14" NC	<input type="checkbox"/> 15" NC
<input type="checkbox"/> 16" Std.	<input type="checkbox"/> 17" NC
<input type="checkbox"/> 18" NC	<input type="checkbox"/> 19" NC
<input type="checkbox"/> 20" NC	<input type="checkbox"/> 21" NC
<input type="checkbox"/> 22" NC	<input type="checkbox"/> 23" NC
<input type="checkbox"/> 24" NC	<input type="checkbox"/> 25" NC

Seat Overall Back Height¹

Back heights of 22"-28" include a 6" lateral extension. Please select if required

with other back heights

6" Lateral Extensions NC

<input type="checkbox"/> 14" NC	<input type="checkbox"/> 15" NC
<input type="checkbox"/> 16" NC.	<input type="checkbox"/> 17" NC
<input type="checkbox"/> 18" Std.	<input type="checkbox"/> 19" NC
<input type="checkbox"/> 20" NC	<input type="checkbox"/> 21" NC
<input type="checkbox"/> 22" NC	<input type="checkbox"/> 23" NC
<input type="checkbox"/> 24" NC	<input type="checkbox"/> 25" NC

BACKS

Solid Plate Back² Std.

TRU-Balance Reclining Back Std.

(For use on Recline Systems only)

After market back interface²⁵ \$200

(for use on recline systems only. Brackets for mounting aftermarket backs, back not included)

TRU-Comfort Back^{2,9,14}

(Even sizes only 16" W - 22"W)

Std. New Plus

Back Height: 22" 25"

Back up to 20" W E2620 \$595

Back up to 22"W E2621 \$695

Omit Back -(\$100)

TRU-Comfort Cushion

16 x 16 - 20 x 18 E2601 \$380

20 x 20 - 20 x 22 E2601 \$380

22 x 16 - 22 x 24 E2602 \$480

TRU-Comfort Plus Cushion

16 x 16 - 20 x 18 E2603 \$380

20 x 20 - 20 x 22 E2603 \$380

22 x 16 - 22 x 24 E2604 \$480

See TRU-Comfort Back & Cushion

order forms for specific sizes

TRU-Comfort Plus-utilizes a 4-way stretch material cover on cushions & backs

ARMRESTS

Flip-back, cane mounted^{8,15} Std.

Mounted on back canes with full width spreader bar.

2-Post, flip-back, hgt. adj, removable⁸ NC

(9"-13" of height adjustment in 1" increments)

Single Post Height adj., removable^{10,18} NC

11"-17" of height adj. 3" on top in 1/2"

increments & 3" on bottom in 1" increments

Quad Release Lever NC

Removable, single-post,¹⁸

height adjustable, heavy duty NC

8"-12" Adjustment

10"-14" Adjustment

Pediatric, removable,¹⁸ NC

adjustable, quick height

(7 3/4" - 9 3/4" height adjustment in 1/2"

increments from seat pan to top of armrest)

Match Shroud Color Black

Quad Release Lever NC

Reclining, Flip-back⁸ Std.

8"-9" H 10"-11" H

(For use on Recline Systems only)

Cantilever Armrests²⁶ SOF

Angle-Adjustable: - 30° through + 30°

Armrest Pads

Full Length, straight, 2"x14" NC

Left Right

Desk Length, straight, 2"x10" NC

Left Right

Full Length, Waterfall, 2"x14"¹¹ NC

Left Right

Desk Length, Waterfall, 2"x10"^{11,12} NC

Left Right

HEAD REST

Stealth E0955

Large (11"W x 6" H) Small (9 3/4" W x 3" H) \$205

Stealth Comfort Plus E0955

Small (10"W) Large (14" W) \$205

Removable Head Rest Bracket E1028 \$210

Stealth, swing-away (Flip-Down)

Head Rest Bracket E1028 \$210

Interfaces w/ any headrest that uses 1/2" square down-tube.

Medical Applications E0955

Large (11"W x 6" H) Small (9 3/4" W x 3" H) \$230

Removable Head Rest Bracket E1028 \$235

Fixed, Offset Mounting Bracket NC

Reclining Head Rest (6.5" x 7") E0955 \$205

Removable Head Rest Bracket E1028 \$210

(For use on Recline Systems only)

TRU-Comfort E0955

8" W Leatherette \$205

10" W Plus \$205

Cobra Removable Head Rest Bracket E1028 \$210

Removable Bracket for after market headrest E1028 \$210

No Headrest Required

Q1424 SeriesOrder Form / Price List
Revised: October 2010**POWER POSITIONING ELECTRONICS**

Select Electronics to be used

 Q-Logic EX**SINGLE POWER ELECTRONICS****Power Tilt or Power Recline** Through Toggle Box¹⁵(Tilt only) NC
 Left Right (mounts to side of armrest) Through Single Switch(1/8" Jack)
Tilt Module^{6,7} (Tilt only) \$500 Through Q-Logic EX Controller E2310 \$2375**Multiple Motor/Actuator Electronics*:***** At least one TB2 seat function****plus power riggings** Through Q-Logic EX Controller E2311 \$2375 Operation through toggle¹⁴ \$2375**When independent legs are selected; they will run combined through the toggle**

(Select one)

-
- 4-way Toggle
-
-
- 4-way Button Toggle
-
-
- Quad Push-Button Control

Toggle box mounts to side of armrest.

 Left Right**MULTIPLE POWER ELECTRONICS****Power Tilt & Recline** Through Q-Logic EX Controller E2311 \$2375 Operation through toggle¹⁴ \$2375**When independent legs are selected; they will run combined through the toggle**

(Select one)

-
- 4-way Toggle
-
-
- 4-way Button Toggle
-
-
- Quad Push-Button Control

Toggle box mounts to side of armrest.

 Left Right**POSITIONING COMPONENTS²⁵****Stealth - Available w/ TRU-Comfort**

-
- Thoracic Lateral Flat Pad -3x5 E0956 \$200pr
-
-
- Thoracic Lateral Flat Pad -4x6 E0956 \$200pr
-
-
- Thoracic Lateral Pad Curved-3x5* E0956 \$200pr
-
-
- Thoracic Lateral Pad Curved-4x6* E0956 \$200pr
-
- * Applicable w/ 1" offset bracket below**
-
-
- 125° Swing Away Bracket
- ⁸
- E1028 \$420pr

N/A on TB Recline or TRU-Comfort

-
- Thoracic Lateral Pad Curved-2x3 E0956 \$200pr
-
-
- Swing-Away Flush to 1" Offset, Back Cane-Mounted
- ⁸
- E1028 \$450pr

A.R.T. Group Laterals

-
- Thoracic Curved Pad-3x4 E0956 \$200pr
-
-
- Thoracic Curved Pad-5x6 E0956 \$200pr
-
-
- Thoracic Tapered Pad-3x4 E0956 \$200pr
-
-
- Thoracic Tapered Pad-4x5 E0956 \$200pr
-
-
- Thoracic Tapered Pad-5x6 E0956 \$200pr
-
-
- EZ Access Bracket (N/A w/ Flat Pad) E1028 \$450pr
-
-
- Rail Mount Swing-Away Bracket
- ⁸
- E1028 \$420pr

(Above for use with TB 2 Recline Systems)

-
- Hip & Thigh Short Pad E0956 \$90ea
-
-
- Hip & Thigh Medium Pad E0956 \$90ea
-
-
- Hip & Thigh Long Pad E0956 \$90ea
-
-
- Hip & Thigh Removable Bracket
- ⁸
- E1028 \$210ea

Stealth - Available w/ TRU-Comfort

-
- Thoracic Lateral Flat Pad -3x5 E0956 \$200pr
-
-
- Thoracic Lateral Flat Pad -4x5 E0956 \$200pr
-
-
- Thoracic Lateral Pad Curved-3x5* E0956 \$200pr
-
-
- Thoracic Lateral Pad Curved-4x5* E0956 \$200pr
-
- * Applicable w/ 1" offset bracket below**
-
-
- 125° Swing Away Bracket E1028 \$420pr
-
- N/A on TB Recline or TRU-Comfort**
-
-
- Thoracic Lateral Pad Curved-2x3 E0956 \$200pr
-
-
- Swing-Away Flush to 1" Offset, Back Cane-Mounted
- ¹
- E1028 \$450pr

 2" Height Adaptor Plate (INDPART2530) \$24.00 ea

-Must order quantity of 2 K0108

-Require for all Hip and Thigh Laterals

ACCESSORIES

-
- Rear Basket
- ^{3,4,5}
- E2207 \$103
-
-
- Cane/Crutch Holder
- ^{3,4,5}
- E2208 \$98
-
-
- Oxygen Holder
- ^{3,4,5}
- E2208 \$103
-
-
- Oxygen Holder
- ^{3,4,5,17,19,20}
- E2208 \$150
-
- (TRU-Balance Tilt & Synergy Seat only)
-
-
- Stroller handle \$85
-
- (Synergy Manual Tilt only)
-
-
- Accessory Mounting Bracket \$50
-
- (1" adaptor tube for use w/ TB Power Recline)
-
-
- Walker Holder
- ^{3,4,5}
- K0108 \$92
-
-
- Flag Holder (SOF on Power Positioning) \$17
-
-
- Weather Cover, Large, Black \$202

 Saddle bag(contoured seating only) \$28 Cup holder \$17 Left Right

N/A on desk length arm with S/A mount or toggle box.

 Lap Belt Std. 50"³ 60" 70" 80" 90"**Footnotes for page 5 & 6:**

1. Measured from seat pan to top of back pan w/ 3" gap to accommodate the cushion, 7"-8" gap for reclining systems.
2. N/A w/ flip-back, cane mounted arms.
3. N/A on manual recline high-back.
4. N/A on reclining seats.
5. Includes mounting bracket and hardware.
6. Consult specialty control order form for a wide variety of switch types and sizes.
7. Switch not included.
8. S/A laterals interfere w/ flip-back arms.
9. Back height is measured from the top of a 3" cushion on the seat.
10. Tools are required to obtain additional 4" of height adjustment at bottom of armrest. 3" of adjustment at top requires no tools. Total available adjustment range is 11" - 17".
11. Only avail. on removable, adjustable, quick-height arms & pediatric arms.
12. S/A joystick mount N/A.
13. Height is measured from seat pan to top of cane.
14. 14"-18" recline width package N/A.
15. N/A w/ waterfall armpads.
16. Will increase STF.
17. Manual Tilt w/ Shape Back and oxygen holder requires the use of a pushbar.
18. Desk length armrests w/ an accessory limit the accessibility to the height adj. lever.
19. Only available on TB 1 Tilt Systems.
20. TB2 Tilt w/ TRU-Comfort & O2 holder is SOF.
22. Please refer to Positioning Components order form for details on coding, hardware & pad size.
24. N/A w/ TB power recline, Endo/Meso canes, Synergy Manual Systems, vent trays, bariatric armpads, occupied transit kit and TRU-Comfort or sling backs. May also interfere w/ lateral supports and waterfall armpads. O2 Tank Holder is N/A when flip-down canes are selected w/ any TB Tilt.
25. Please Contact your Quantum Customer Representative for details.
26. Height Adjustment 11" - 17" depends on back cane height. N/A w/ manual recline, flip-forward back canes, Cane Clamp, Push Bar, Shape Back, Sling back & Specialty Seat Call for details when selecting after market arm troughs or Universal Swivel w / desk length arms.

Q1424 Series

Order Form / Price List
Revised: October 2010

VENT TRAY

Compact Vent Tray E1029 \$1,395

Mounts: Flush** 3" Offset* 6" Offset
* N/A w/ flip-back cane mounted arms.
** N/A w/ power positioning systems

Available on Synergy, TRU-Balance 2 Power Positioning & TRU-Comfort seating.

The addition of a compact vent tray may increase the length & weight of your power chair.

Bracket selection is not required with TB Recline, Tilt & Recline & TRU-Comfort, the bracket is preselected.

Depending on the COG, the 6" offset bracket used with the Synergy Seat or TB Tilt may increase the power chairs overall length by a minimum of 5".

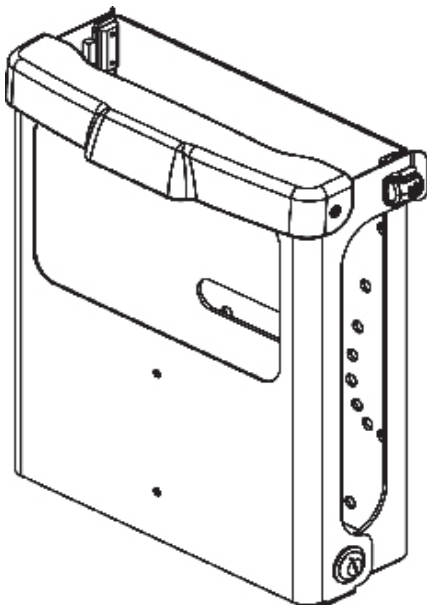
TRU-Comfort may increase the length by 6.5" (The bracket is pre-selected).

TB Recline or TB Tilt & Recline may increase the length by 5.5" (The bracket is pre-selected).

Can accommodate Pulmonetics LTV-style ventilators.

Max Dim. 3.25" H x 10.5" W x 13.5" / 20 lbs.

- If a Compact Vent Tray is selected, 1 of 3 mounting brackets must also be chosen when used in conjunction with a Synergy or TB Tilt seating system.
- 3" offset brackets or 6" offset brackets must be selected when used with an electronics box.
- N/A w/ an occupied transit kit.
- N/A w/ Shape Back or Sling Back.
- Must choose a back cane height of 20" or higher when a Synergy Seat is chosen.
- Must choose a back cane height of 22" or higher when a TRU-Balance Tilt or Lift & Tilt is chosen.
- Must choose a back cane height of 24" or higher when a TRU-Balance HD Tilt is chosen.
- N/A w/ rear mount accessories
- N/A on power positioning systems under 14" wide w/ flip-up armrests.
- N/A on Synergy manual recline, manual tilt, or flip-down back canes.
- N/A w/ TRU-Balance Pediatric Tilt
- Compact Vent is available in most configurations for 10"-24"W.



Q1424_Series_ORD-10-12-10

ARTICULATING VENT TRAY

Articulating Vent Tray E1030 \$1,450
 Articulating Bi-PAP Vent Tray E1028 \$1,450

The addition of an articulating vent or Bi-PAP tray may increase the length & weight of your power chair.

U-1 (1) Battery Selection:

Yes E2365 \$133ea
 No

Battery Tray K0108 \$450

Battery Box K0108 Yes \$50
 No

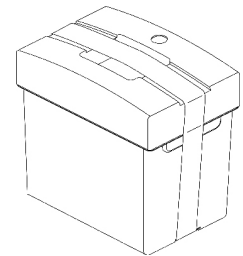
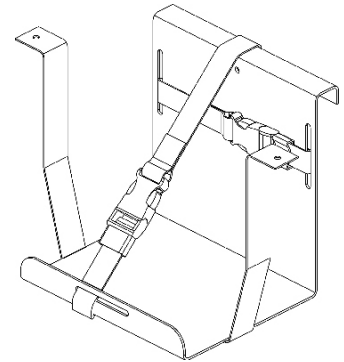
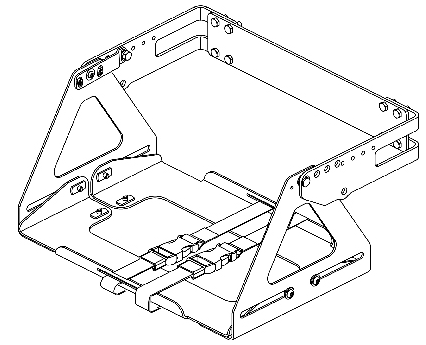
-Available on Synergy Seat, TRU-Balance Power-Tilt, Recline, Tilt & Recline, and TRU-Comfort Seating Systems

-Available seat widths: 10" W - 24" W

-Adjustment Range for : 14.5" W Std. x 10.5" D - 15.5" D

-Adjustment Range for Bi-PAP: 9.5" W Std. x - 9.5" D - 13.25" D

- N/A w/ Specialty Seat
- N/A w/ contoured seating
- N/A w/ a power elevating seat
- N/A with TRU-Balance Pediatric Power Tilt
- N/A w/ TRU-Balance Lift & Tilt
- N/A w/ endomorph / mesomorph back canes
- N/A rear mount accessories
- N/A Compact vent tray
- N/A w/ an occupied Transit Kit
- N/A w/ stroller handles
- N/A w/ a sling back
- N/A w/ a full LED lighting package
- N/A w/ extended stem mounts



Lowest seat-to-floor height

Synergy Seat:	18.125"
TB Tilt:	20"
TB Recline:	18.125"
TB Tilt/Recline:	20"
TB 10" Scissor Lift:	21"
High-back Seat:	22.5"

All measurements +/- 1/8" with 18" x 18" seat, fixed towers, 300 lbs. weight capacity and solid tires (add 3/8" with pneumatic tires). Increased widths may increase seat-to-floor height. Contact customer service for details. Listed measurements are in the lowest position. It does not include elevating systems.

Quantum Custom Delivery Service

Includes: liftgate service and delivery of your product(s) inside your facility. Contact your Quantum Representative for details.

The information contained herein is correct at the time of publication; we reserve the right to alter specifications and pricing without prior notice.