

# J4 HD

## PRODUCT SPECIFICATIONS SHEET

Weight Capacity	400 lbs. (181 kg)
Maximum Speed <sup>1</sup>	Up to 5 mph (8 km/h)
Ground Clearance <sup>2</sup>	2.9 in. (73 mm) at battery tray 2.5 in. (63 mm) at caster pivot
Turning Radius <sup>2</sup>	21 in. (534 mm)
Overall Size <sup>2, 6</sup>	Stowage Length: 32.3 in. (820 mm) Width (at wheels): 24.5 in. (622 mm)
Drive Wheels	14 in. (356 mm), flat-free
Caster Wheels	Front and Rear: 6 in. (152 mm) solid
Suspension	ATX Suspension (Active-Trac® with extra stability)
Range <sup>1, 4</sup>	Up to 15.7 miles (25.3 km)
Component Weights <sup>5</sup>	Base: 131.6 lbs. (59.7 kg) Batteries: 38 lbs. (17.25 kg) each
Drivetrain	Two motor, Mid-wheel 6® drive
Brakes	“Intelligent Braking” electronic regenerative, disc park brake
Batteries <sup>3</sup>	Two 12 volt, deep-cycle NF-22 batteries
Battery Charger	8 amp, off-board
Freewheel Operational Force	Less than 60 N
Drive Control Operational Force	Less than 5 N
Maximum Rated Slope	6° (10.5%)
Maximum Obstacle Climbing Ability (Ascending and Descending)	2 in. (50 mm)
Measured Sound Level (A-weighted)	Less than 65 dB

- <sup>1</sup> Varies with base model, user weight, terrain type, battery amp hour rating (Ah), battery charge, battery condition, motors, controller type, tire type, and tire condition. This specification is subject to a variance of +10%, -5%.
- <sup>2</sup> Due to manufacturing tolerances and continued product improvement, this specification can be subject to a variance of (+ or -) 3%.
- <sup>3</sup> AGM, Gel-Cell, or Hybrid Gel (Hybrid Gel is defined as Nano Silica Gel Electrolyte with High Quality Glass Mat Separators) type required. See “Batteries and Charging.”
- <sup>4</sup> Tested in accordance with ANSI/RESNA, WC Vol. 2, Section 4 & ISO 7176-4 standards. Results derived from theoretical calculations based on battery specifications and drive system performance. Test conducted at maximum weight capacity.
- <sup>5</sup> Battery weight may vary based on manufacturer.
- <sup>6</sup> Dimensions listed are for power base only. Overall measurements will vary based on seating and accessory selections.

**NOTE: This product conforms to all applicable ANSI/RESNA, ISO 7176 Series, AS/NZS 3695.2, and EN12184 standards. All specifications subject to change without notice.**

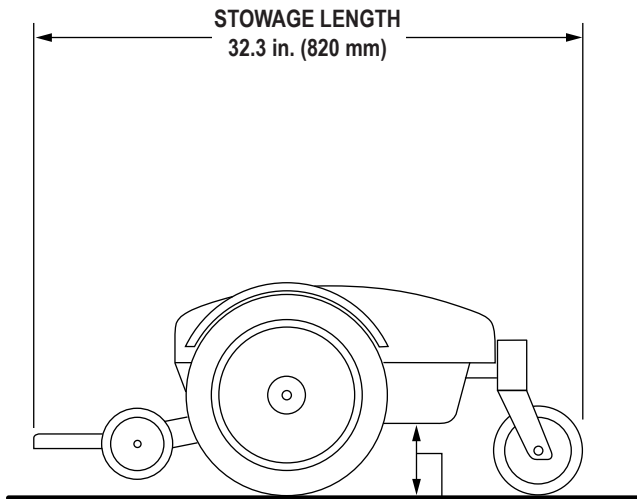


Rev A/January 2021

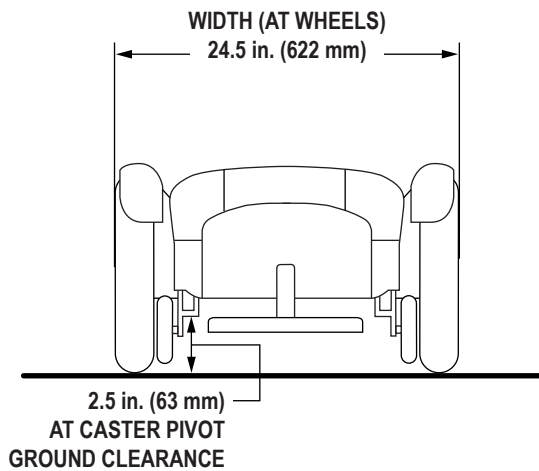
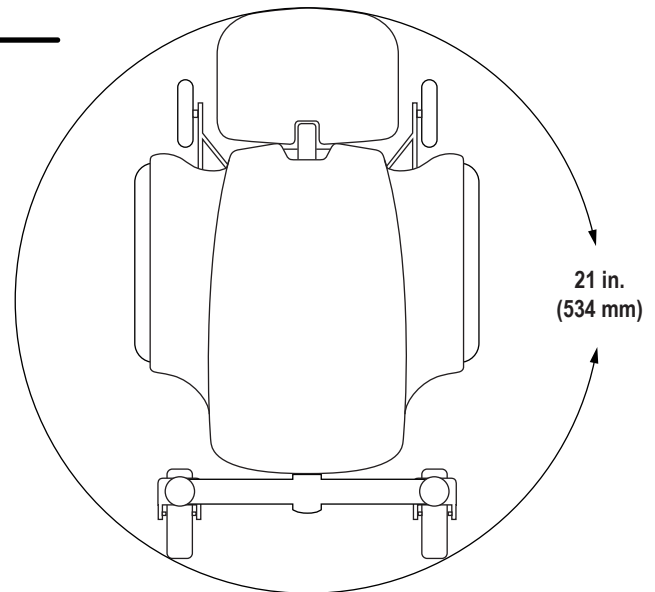


# J4 HD

## PRODUCT SPECIFICATIONS SHEET



TURNING RADIUS



Rev A/January 2021

