

## PRODUCT SPECIFICATIONS SHEET

**Model:** Litestream XF LTD

**Manufacturer:** Pride Mobility Products Company

**Internet Address:** www.pridemobility.com

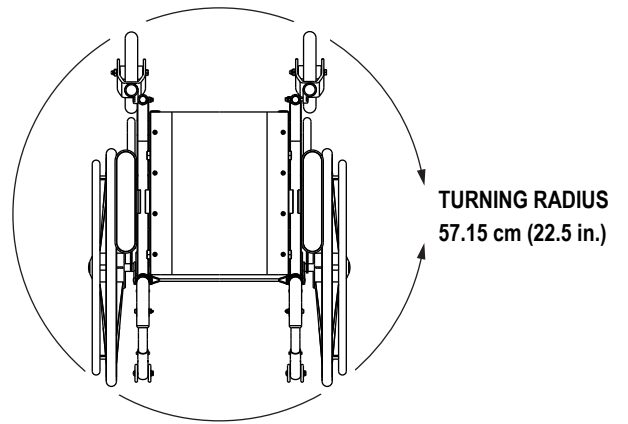
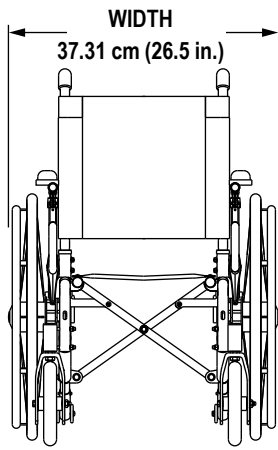
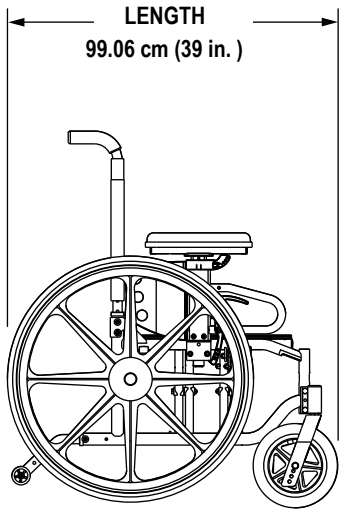
**Document Information:** INFINF2718/Rev A/July 2011

<b>Seat Dimensions:</b>	Width: 35.56 - 53.34 cm (14 - 21 in.) in 2.54-cm (1-in.) increments Back Height: 43.18 - 48.26 cm (17 - 19 in.); 35.56 - 40.64 cm (14 - 16 in.)
<b>Seat Upholstery:</b>	Adjustable Tension, Padded Back Sling
<b>Drive Wheels:</b>	50.8 cm (20 in.), 55.88 cm (22 in.), and 60.96 cm (24 in.) Mag or Spoke
<b>Caster Wheels:</b>	10.16 cm (4 in.), 12.7 cm (5 in.), 15.24 cm (6 in.), or 20.32 cm (8 in.)
<b>Drive Wheel Axle Mount:</b>	Quick-release, Quad-release
<b>Caster Fork:</b>	Short and Tall Bolt-on, Short and Tall Quick Release, Frog Legs, Caster Pin Locks
<b>Maximum Safe Slope:</b>	5° (8.7%)
<b>Turning Radius:<sup>1</sup></b>	57.15 cm (22.5 in.)
<b>Overall Size:<sup>1</sup></b>	Length: 99.06 cm (39 in.) Width: 37.31 cm (26.5 in.)
<b>Weight Capacity:</b>	113 kg (250 lbs.)
<b>Component Weights:</b>	Base: 12.7 kg (27.5 lbs.) without front riggings or armrests
<b>Armrests:</b>	Height-adjustable Single Post; Height-adjustable Dual Post Flip Back
<b>Front Rigging:</b>	Swing-away leg rests, Elevating leg rests, and flip-up foot plates
<b>Brakes:</b>	Push-to-lock or pull-to-lock; extensions optional
<b>Static Stability Forward:</b>	7.5°
<b>Static Stability Rearward:</b>	8.5°
<b>Wheel Lock Operational Force:<sup>2</sup></b>	Left: 60 N; Right: 60 N

<sup>1</sup> Due to manufacturing tolerances and continual product improvement, this specification can be subject to a variance of (+ or - ) 3%.

<sup>2</sup> Test results for Litestream XF LTD equipped with push-to-lock wheel locks in accordance with ANSI-RESNA WC Vol. 2 Section 03. Maximum operating force for hand operated wheel locks is 60N (+ or - ) 10%. Operational force can vary based on tire type, manufacture, and condition.

**NOTE:** This product conforms to all applicable ANSI-RESNA testing requirements and ISO 7176 series EN12183 standards. All specifications subject to change without notice.



Measured on an 18 in. x 18 in. wheelchair.