

# PRODUCT SPECIFICATIONS SHEET

Model: Quantum Q6 Edge

Manufacturer: Pride Mobility Products Ltd.

Internet Address: [www.pridemobility.com](http://www.pridemobility.com)

Document Information: INFNFB2681/Rev A/August 2011

Suspension:	ATX Suspension (Active-Trac® with extra stability)
Drive Wheels:	35.56 cm (14 in.), pneumatic or solid available
Castor Wheels:	Front: 15.25 cm (6 in.) solid Rear: 15.25 cm (6 in.) solid
Maximum Speed: <sup>1</sup>	Up to 6.44 km/h (4 mph)
Range: <sup>1, 4</sup>	Up to 25 km (15.5 miles)
Brakes:	"Intelligent Braking" electronic regenerative, disc park brake
Ground Clearance: <sup>2</sup>	6.35 cm (2.5 in.) at suspension arm 7.62 cm (3 in.) at center of frame
Turning Radius: <sup>2</sup>	50.8 cm (20 in.)
Overall Size: <sup>2, 6</sup>	Length: 90.17 cm (35.5 in.) without front riggings Width: 60.96 cm (24 in.)
Drivetrain:	Two motor, Mid-wheel 6® drive
Batteries: <sup>3</sup>	Two 12-volt, deep-cycle NF-22 batteries
Battery Charger:	8-amp, off-board
Weight Capacity:	136 kg/21 stone 6 lbs. (300 lbs.)
Component Weights: <sup>5</sup>	Base: 62 kg (138 lbs.) Seat: 35.6 kg (78.5 lbs.) Batteries: 17.24 kg (38 lbs.) each
Class of Use:	B
Maximum Allowable Incline:	10.5% (6°)
Maximum Angle Capacity:	10.5% (6°)
Maximum Obstacle Climbing Ability:	7.62 cm (3 in.)

<sup>1</sup> Varies with base model, user weight, terrain type, battery amp hour rating (Ah), battery charge, battery condition, motors, controller type, tyre type and tyre condition. This specification is subject to a variance of +10%, -5%.

<sup>2</sup> Due to manufacturing tolerances and continued product improvement, this specification can be subject to a variance of (+ or -) 3%.

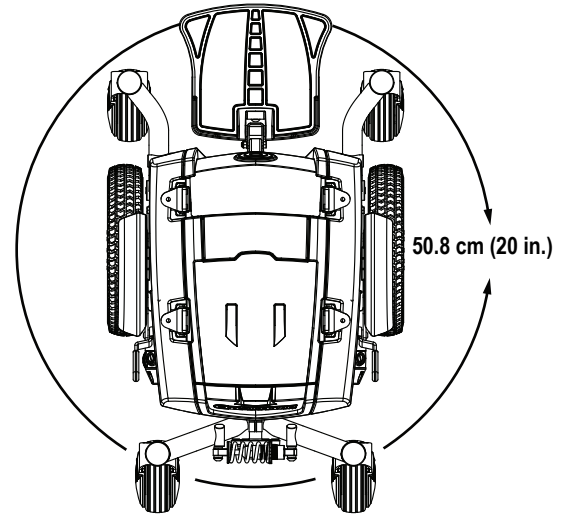
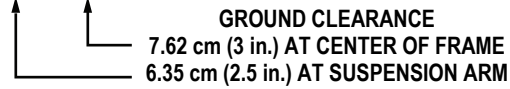
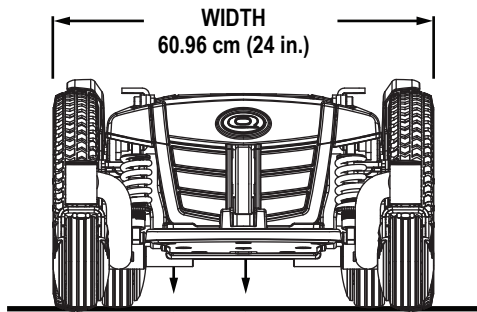
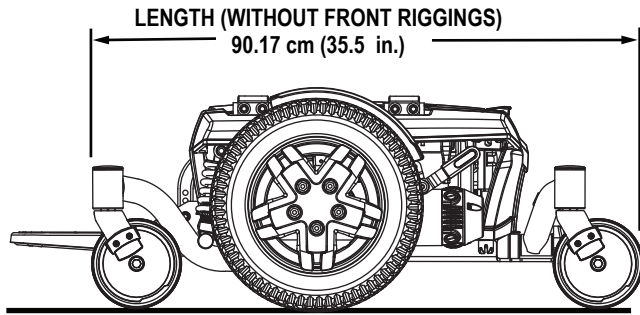
<sup>3</sup> AGM or Gel-Cell type required. See VI. "Batteries and Charging."

<sup>4</sup> Tested in accordance with ANSI/RESNA, WC Vol 2, Section 4 & ISO 7176-4 standards. Results derived from theoretical calculations based on battery specifications and drive system performance. Test conducted at maximum weight capacity.

<sup>5</sup> Battery weight may vary based on manufacturer.

<sup>6</sup> Dimensions listed are for power base only. Overall measurements will vary based on seating and accessory selections.

**NOTE: This product conforms to all applicable ANSI/RESNA testing requirements and ISO 7176 Series EN12184 standards. All specifications subject to change without notice.**



**TURNING RADIUS  
(WITHOUT FRONT RIGGINGS)**