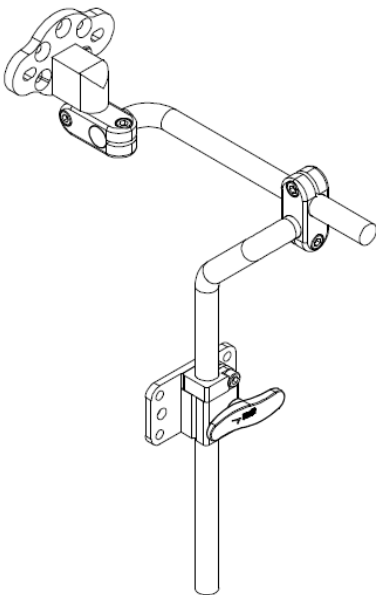




Stealth Products

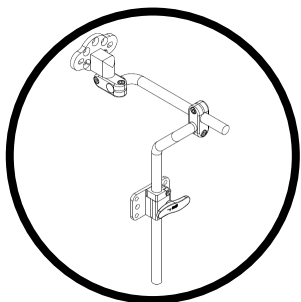
Headrest Hardware

Installation Manual



HMO500

Stealth's Multi-Axis Headrest Hardware



**INSTALLATION INSTRUCTIONS FOR
Stealth Products HMO500 Hardware**

Compatible with: All Stealth Products Headrests

Stealth Commitment

1.1

Stealth Products strives for 100% customer satisfaction. Your complete satisfaction is important. Please contact us with feedback or suggested changes that will help improve the quality and usability of our hardware. You may reach us at:



Stealth Products, LLC

104 John Kelly Drive, Burnet, TX 78611

Phone: (512) 715-9995

Toll Free: 1(800) 965-9229

Fax: (512) 715-9954

Toll Free: 1(800) 806-1225

info@stealthproducts.com

www.stealthproducts.com



MDSS GmbH

Schiffgraben 41

30175 Hannover, Germany



For international orders, please contact:

Pride Mobility Products

5096 South Service Road

Beamsville, Ontario L0R 1B3 Canada

Phone: 888-570-1113 info@pridemobility.com

Installation Date: _____

Dealer: _____

Dealer Stamp:

Serial Number:

Warning Labels

2.1

Warnings are included for the safety of the user, client, operator and property. Please read and understand what the signal words **SAFETY**, **NOTICE**, **CAUTION**, **WARNING** and **DANGER** mean, how they could affect the user, those around the user, and property.

⚠ DANGER	Identifies an imminent situation which (if not avoided) will result in severe injury, death, and property damage .
⚠ WARNING	Identifies a potential situation which (if not avoided) will result in severe injury, death, and property damage .
⚠ CAUTION	Identifies a potential situation which (if not avoided) will result in minor to moderate injury, and property damage .
NOTICE	Identifies important information not related to injury, but possible property damage .
SAFETY	Indicates steps or instructions for safe practices, reminders of safe procedures, or important safety equipment that may be necessary.

Limited Liability

2.2

Stealth Products, LLC accepts no liability for personal injury or damage to property that may arise from the failure of the user or other persons to follow the recommendations, warnings, and instructions in this manual.

Stealth Products does not hold responsibility of final integration of final assembly of product to end user. Stealth Products is not liable for user death or injury.

Testing

2.3

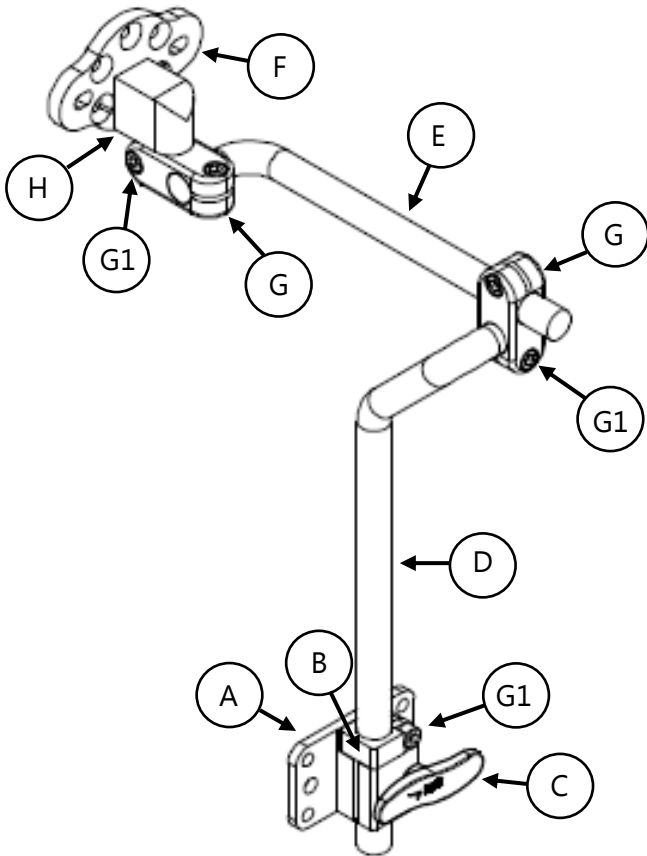
Initial setup and driving should be done in an open area free of obstacles until the user is fully capable of driving safely.

The HMO500 Headrest Hardware should be tested by the care givers and end user and adjusted specifically to their needs.

1.0 Customer Satisfaction	i
1.1 Stealth Commitment.....	i
2.0 Warnings	ii
2.1 Warning Labels	ii
2.2 Limited Liability	ii
2.3 Testing	ii
3.0 Table of Contents.....	iii
4.0 Parts and Accessories	1
4.1 Mounting Hardware Parts	1
4.2 Mounting Hardware Packages and Tools	2
4.3 Torque Specifications	2
5.0 Installation Instructions.....	3
5.1 Height Adjustment.....	3
5.2 Depth Adjustment.....	5
5.3 Angle Adjustment.....	6
5.4 Adapter Plate Adjustment.....	9
6.0 Warranty	12
6.1 In Case of Product Failure	12

Mounting Hardware Parts

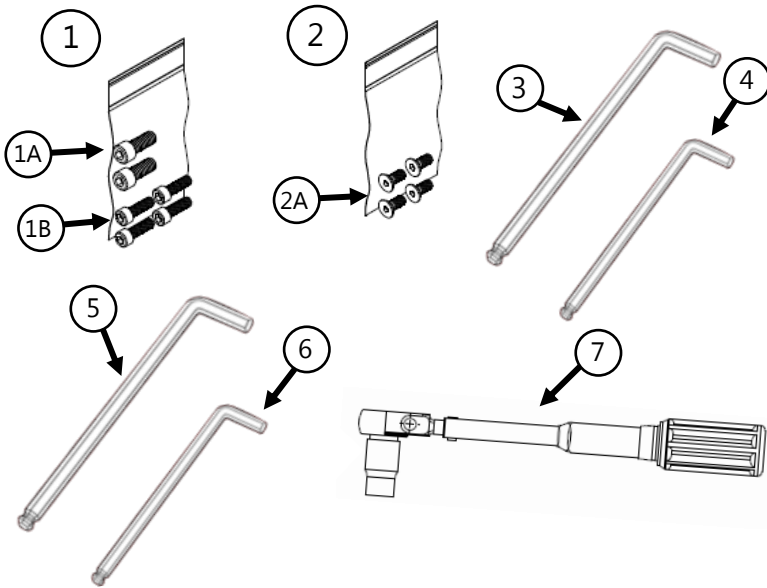
4.1



	Description		
A	Seat Back Mount		
B	Stop Collar		
C	Handle		
D	Vertical Bar		
E	Horizontal Bar		
F	Headrest Universal Adapter Plate		
G	Bar Clamp	G1	M5 x .8 x 12mm SHS (5)
H	Headrest Adapter Mount		

Mounting Hardware Packages and Tools

4.2



Item	Description		
1	Hardware Package	1A	1/4-20 x 5/8 SHS (2)
		1B	10-32 x 5/8 SHS (4)
2	Hardware Package	2A	M5 x .8 x 12mm FHS (4)

Tools	
3	3mm Allen Wrench/T-Handle*
4	4mm Allen Wrench/T-Handle*
5	3/16 Allen Wrench/T-Handle*
6	5/32"mm Allen Wrench/T-Handle*
7	Torque Wrench*

Torque Specifications

4.3

Item	Torque Requirement
1A	45 in-lbs
1B	45 in-lbs
2A	40 in-lbs
G1	70 in-lbs

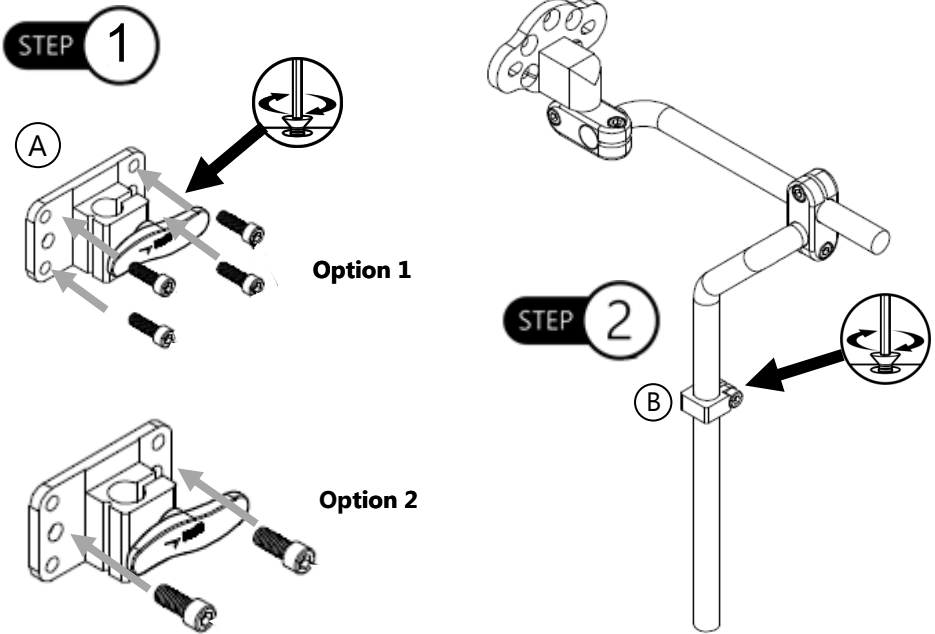
* Tools not included

Height Adjustment

5.1

Step 1: Determine the necessary screws in order to properly install the seat back mount to the chair. Position Seat Back Mount (A) on backrest at desired height. Secure with corresponding screws provided in hardware pack (1).

Step 2: Position Stop Collar (B) on vertical bar and secure screws. Tighten screws. Refer to *Section 4.3* for proper torque specifications.



Option 1 requires the 5/32 T-Handle/Allen Wrench.

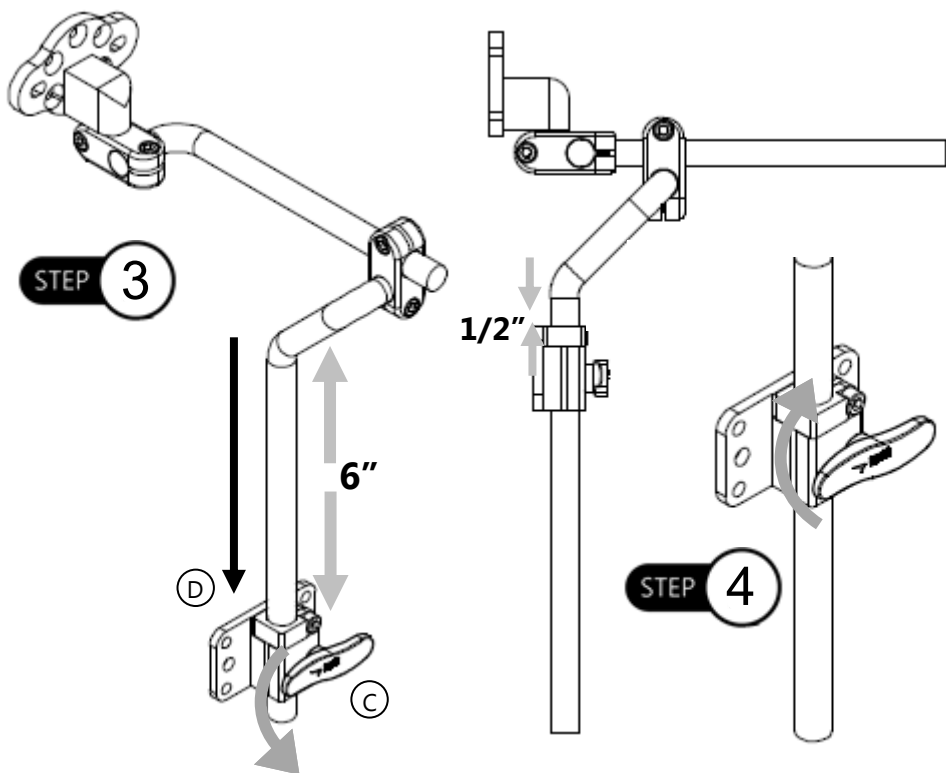
Option 2 requires the 3/16 T-Handle/Allen Wrench.

NOTICE

#10-32 Socket Head Screws (1B) are provided for Option 1 (4 screws), 1/4-20 Socket Head Screws (1A) are provided for Option 2 (2 screws).

NOTICE

Reference minimum and maximum height adjustment recommendations before installation of Option 2.



Step 3: Ensure handle (C) has been turned counterclockwise before sliding onto vertical bar. Insert vertical bar (D) into seat back mount. Ensure stop collar is flush with seat back mount.

Step 4: Turn the handle clockwise and tighten seat back mount handle to lock into position.

SAFETY

It is recommended that the seat back mount is moved no more than 6 inches from the top of the vertical bar, and no less than a 1/2 inch from the top of the bar.

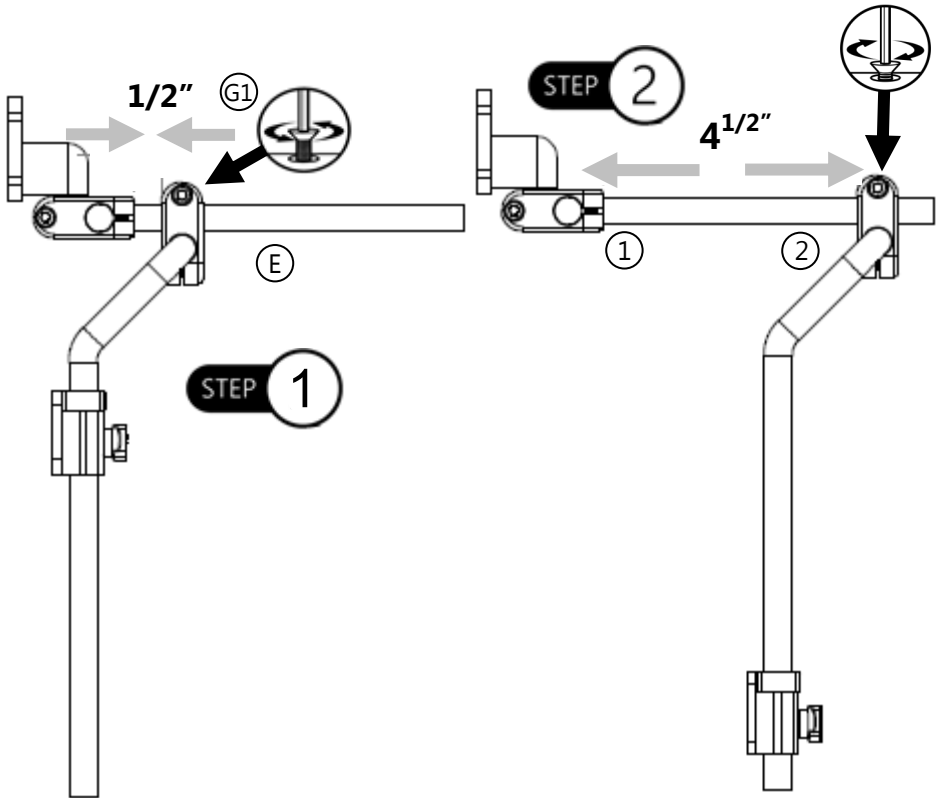
Depth Adjustment

5.2

Step 1: Loosen the M5 (G1) screw on bar clamp with 4mm T-Handle/Allen Wrench.

Step 2: Slide horizontal bar (E) to desired depth.

Step 3: When bar has been adjusted to the desired depth, tighten the M5 screw to secure. Refer to *Section 4.3* for proper torque specifications.



SAFETY

It is recommended the minimum depth adjustment is $1/2''$ within the ends of the bar and a maximum of $4\ 1/2''$ between reference points 1 and 2.

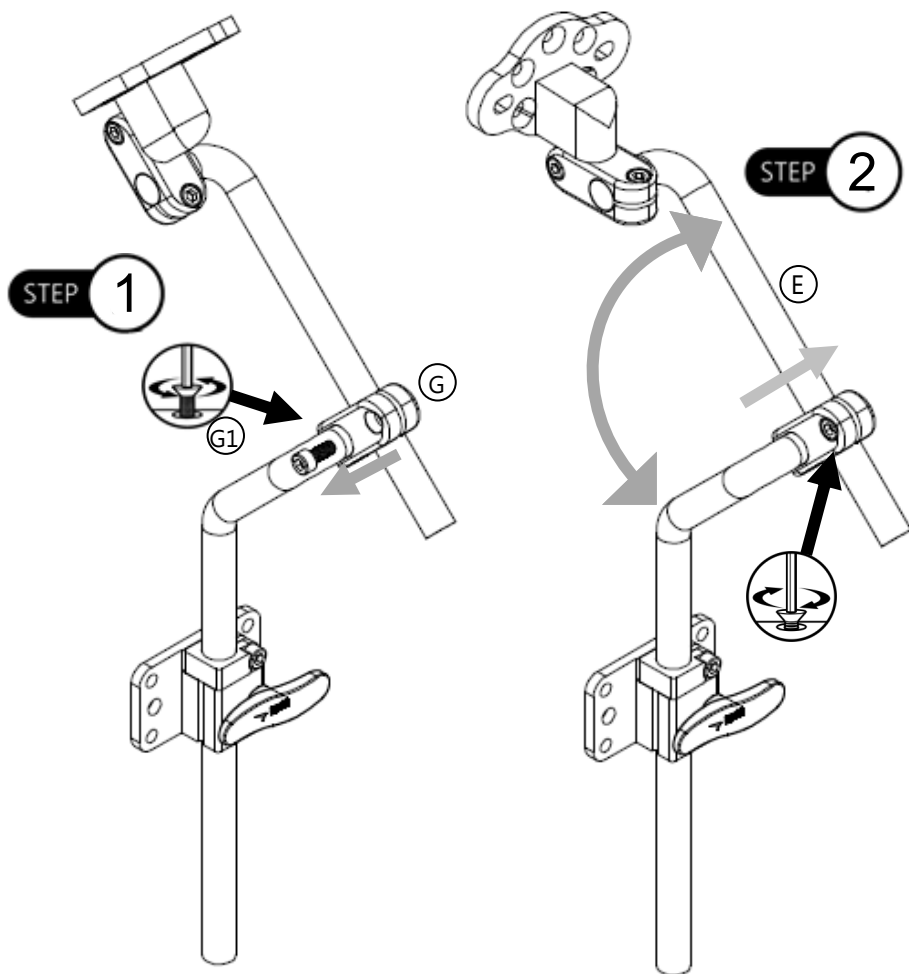
Angle Adjustment

5.3

Two points of angle adjustment are available with the HMO500 hardware—the angle of the horizontal bar can be adjusted, as well as the angle of the headrest adapter plate.

Step 1: Loosen the M5 screw (G1) from the bar clamp (G) with the 4mm T-Handle/Allen Wrench.

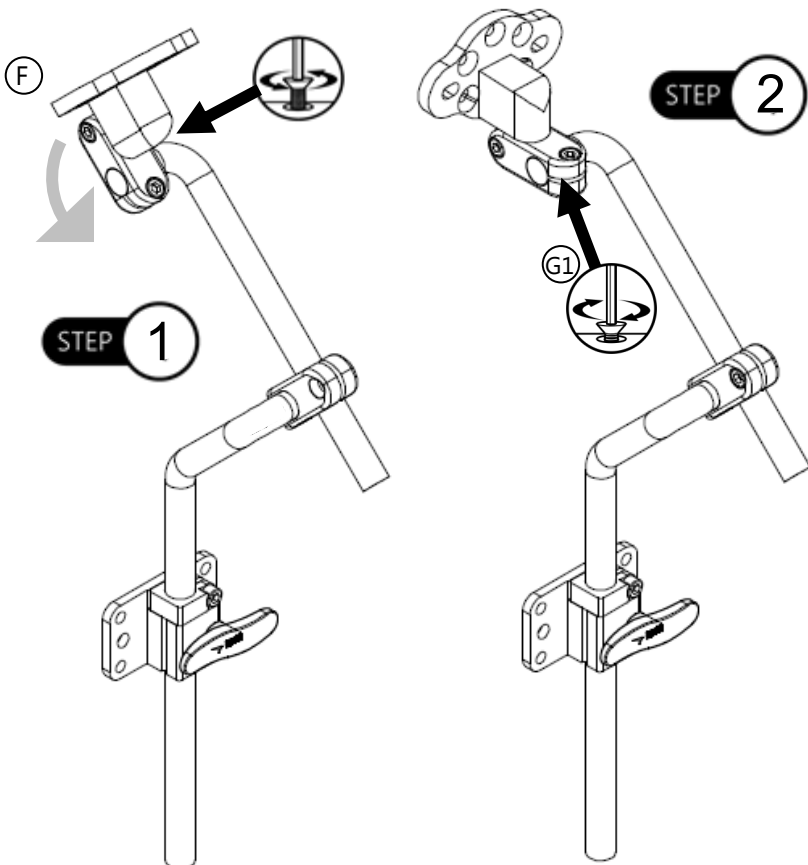
Step 2: Adjust horizontal bar (E) to desired angle. When desired angle is achieved, tighten M5 screws until secure. Refer to *Section 4.3* for proper torque specifications.



After the horizontal bar has been properly adjusted and is in the desired position, the angle adjustment of the adapter plate must be adjusted in order to mount flush with the headrest. Follow the steps below to adjust the adapter plate in the correct position.

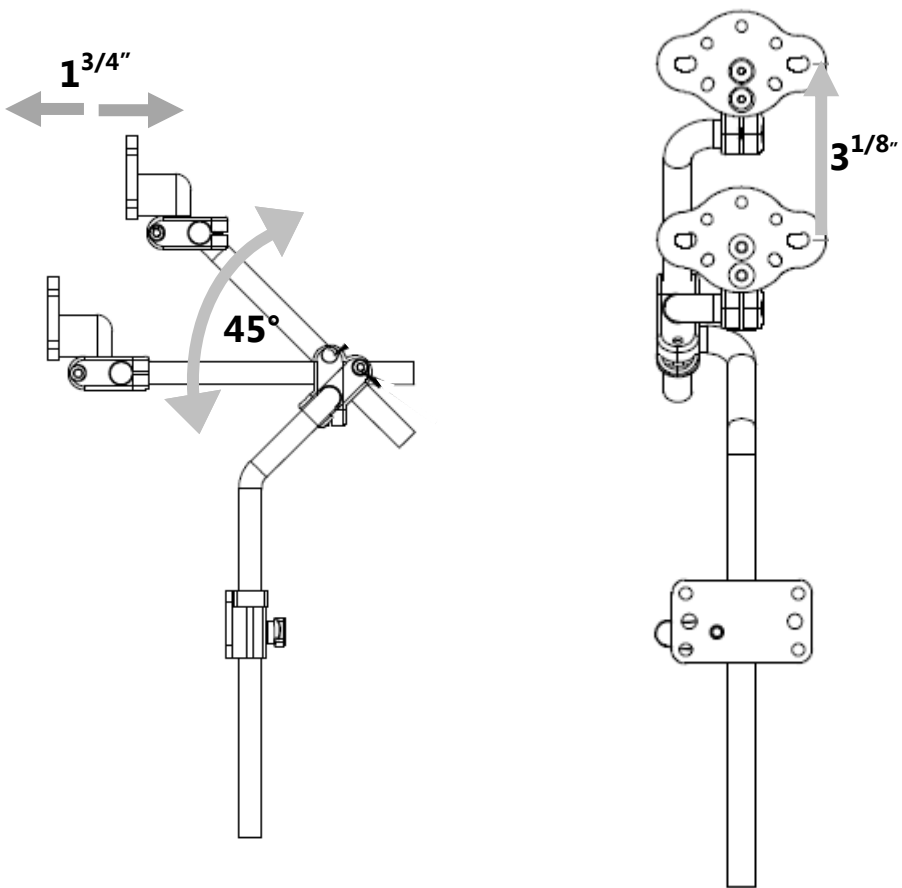
Step 1: To adjust the angle of the Adapter Plate (F) on the horizontal bar, loosen the M5 screw (G1) on the bar clamp via 4mm T-Handle/Allen Wrench.

Step 2: Angle the adapter plate assemble parallel with the seat back mount. Secure the M5 screw on the bar clamp.



NOTICE

If the horizontal bar angle is adjusted, the headrest adapter plate angle must be adjusted in order to mount flush with the headrest it will be mounted to.

**NOTICE**

The height of the Universal Adapter Plate can move a maximum of 3^{1/8}" vertically when the angle of the horizontal bar is adjusted.

NOTICE

The horizontal bar should be adjusted no more than a maximum of 45°.

NOTICE

Up to 1^{3/4}" of height is added when the horizontal bar is adjusted.

Adapter Plate Adjustment

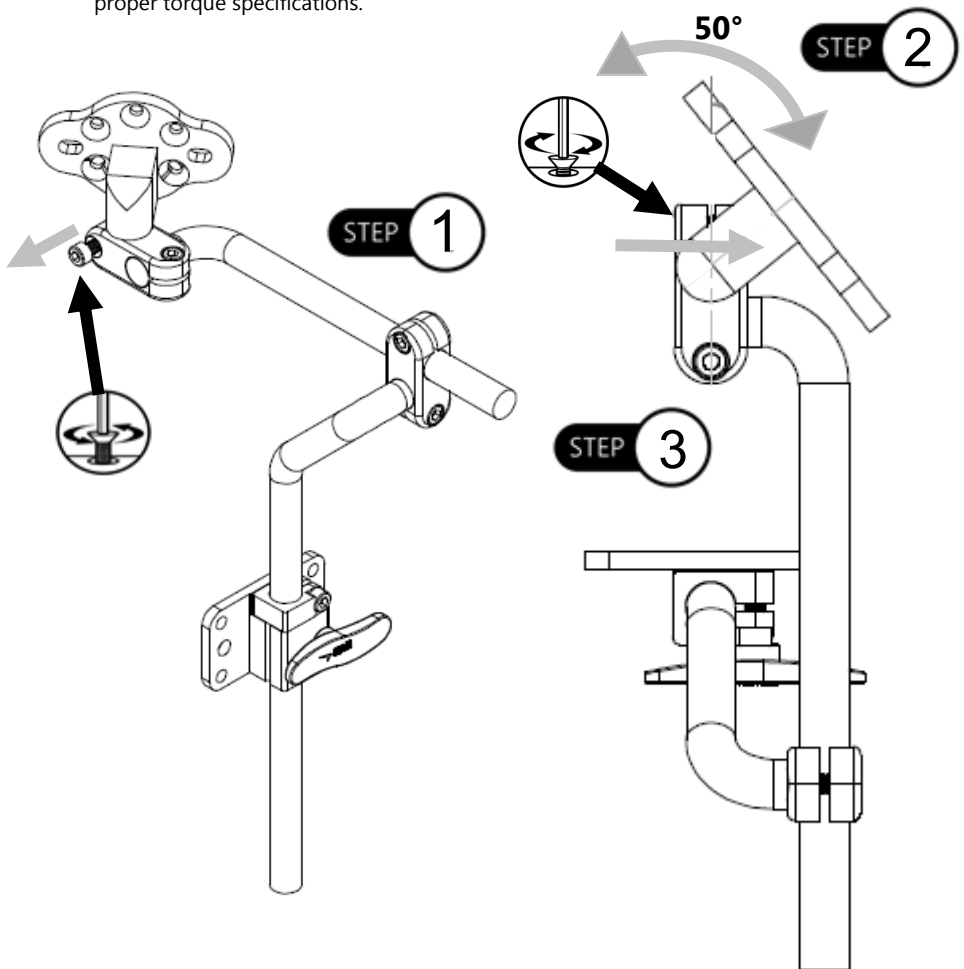
5.4

To adjust the position of the adapter plate and the direction in which it will mount to the headrest, follow the directions below:

Step 1: Loosen the M5 screw on the bar clamp with 4mm T-Handle/Allen Wrench.

Step 2: Move the adapter plate in the desired direction.

Step 3: When the adjustment is complete, tighten and secure the M5 screw. Refer to *Section 4.3* for proper torque specifications.



NOTICE

The headrest adapter plate should be angled no more than 50° to left or right sides.

Headrest Installation

5.6

To install the HMO500 hardware onto a 3-hole pattern headrest, follow the steps below:

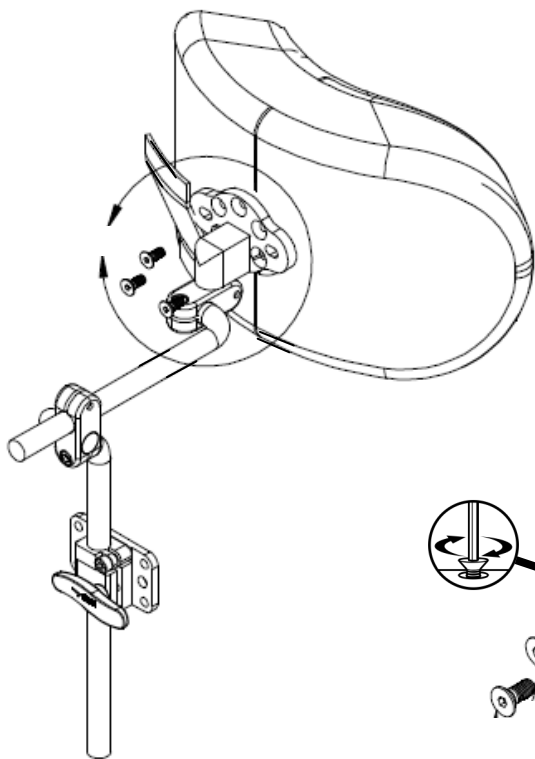
Step 1: Determine hole pattern required for proper headrest installation. Align headrest to universal adapter plate.

Step 2: Secure headrest to adapter plate with M5 screws. Use the 3mm T-Handle/Allen Wrench to tighten. Refer to *Section 4.3* for proper torque specifications.

Option 1

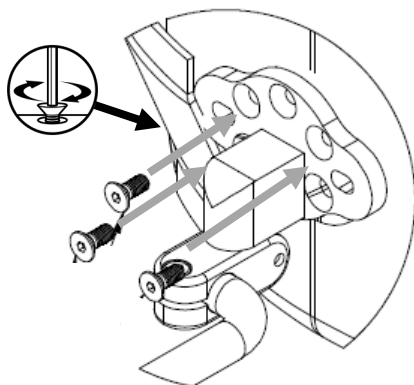
STEP 1

1



STEP 2

2

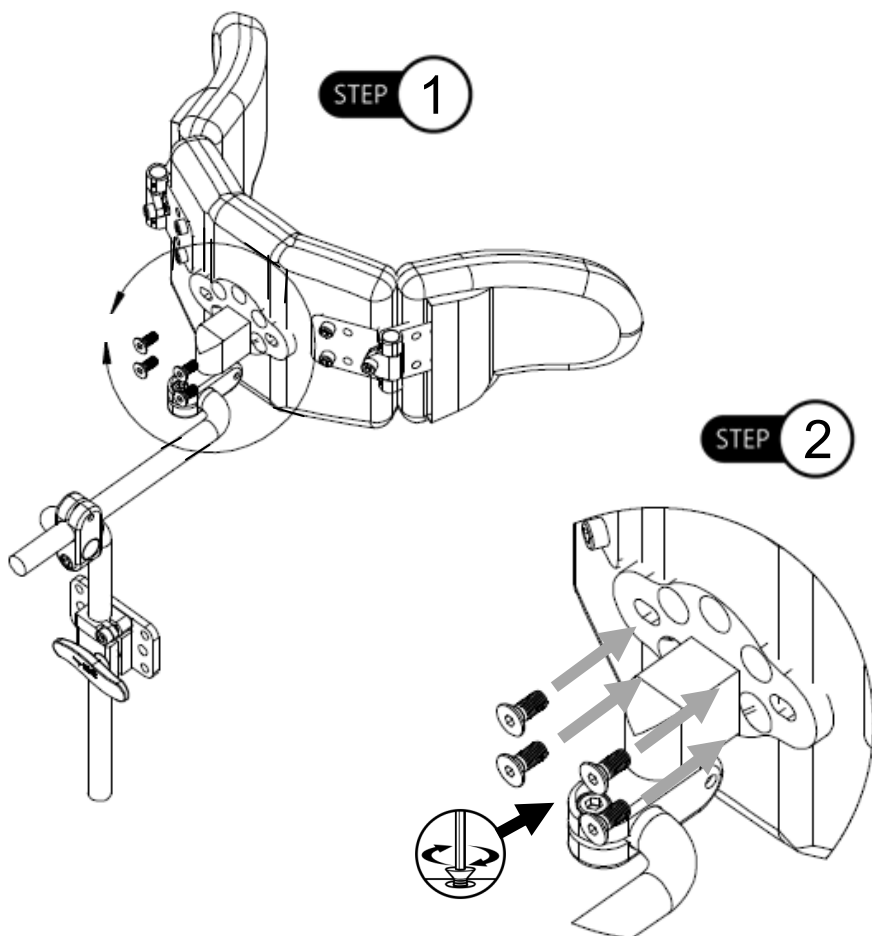


To install the HMO500 hardware on a 4-hole pattern headrest, follow the steps below:

Step 1: Align headrest to universal adapter plate.

Step 2: Secure headrest to adapter plate with M5 screws. Use a 3mm T-Handle/Allen Wrench to tighten. Refer to *Section 4.3* for proper torque specifications.

Option 2



The pads/cushions are designed and produced to the highest of standards. The cushions are guaranteed to be free of defects in material and workmanship for a period of 24 months. If any defect in material or workmanship is found, Pride Mobility Products will repair or replace, at our discretion, the pads. This warranty does not apply to pads abused or misused by the user and deemed such by Pride Mobility Products.

Claims and repairs should be processed through the nearest Pride Mobility provider.

- Modification of product without written approval from Pride Mobility Products.

No person is authorized to alter, extend, or waive the warranties of Stealth Products, LLC. Stealth Products warrants against failure due to defective materials or workmanship:

Hardware: 5 years

Electronics: 3 years

This warranty does not extend to those items which may require replacement due to normal wear and tear.

- Outer covers
- Inner covers
- Circumstances beyond the control of Pride
- Labor, service calls, shipping, and other charges incurred for repair of the product, unless specifically authorized, IN ADVANCE, by Pride Mobility Products
- Repairs and/or modifications made to any part without specific consent from Pride

Exclusions also include components with damage caused by:

- Exposure to moisture



Stealth Products, LLC. • info@stealthproducts.com • www.stealthproducts.com
+1(800) 965-9229 | +1(512) 715-9995 | 104 John Kelly Drive, Burnet TX 78611