

Stealth Products[®]

Positioning & Support



USER MANUAL



Tone Deflector

Stealth's User Manual and Maintenance Guide for
Head Solutions Hardware

Stealth Products strives for 100% customer satisfaction. Your complete satisfaction is important. Please contact us with feedback or suggested changes that will help improve the quality and usability of our products. You may reach us at:

104 John Kelly Drive, Burnet, TX 78611

Phone: (512) 715-9995

Toll Free: 1(800) 965-9229

Fax: (512) 715-9954

Toll Free: 1(800) 806-1225

info@stealthproducts.com

www.stealthproducts.com

General

Read and understand all instructions prior to the use of the product. Failure to adhere to instructions and warnings in this document may result in property damage, injury, or death. Product misuse due to failure of the following instructions will void the warranty.

Immediately discontinue use if any function is compromised, parts are missing, loose, or shows signs of excessive wear. Consult with your supplier for repair, adjustment, or replacement.

Important Information!

All persons responsible for fitting, adjustment, and daily use of the devices discussed in these instructions must be familiar with and understand all safety aspects of the devices mentioned. In order for our products to be used successfully, you must:

- Read and understand all instructions and warnings.
- Maintain our products according to our instruction on care and maintenance.
- Devices should be installed and adjusted by a trained technician.

Supplier Reference

Supplier: _____

Telephone: _____

Address: _____

Purchase Date: _____

Model: _____

Before you install or begin using this product, it is important that you read and understand the content of these installation and operating instructions. The installation instructions will guide you through the possibilities with the Tone Deflector.

Instructions are written with the expressed intent of use with standard configurations. They also contain important safety and maintenance information. For further assistance, or more advanced applications, please contact your supplier or Stealth Products at (512) 715-9995 or toll free at 1-800-965-9229.

Always keep the operating instructions in a safe place so they may be referenced as necessary.

All information, pictures, illustrations, and specifications are based on the product information that was available at the time of printing. Pictures and Illustrations shown in these instructions are representative examples and are not intended to be exact depictions of the various parts of the product.

Ordering Documentation

You can download additional copies of this User Manual on the Stealth website:
www.stealthproducts.com/gui/docs/?type=usr&

Or search:

Tone Deflector User Manual in the search bar at the top of the page.

The pads/covers are designed and produced to the highest of standards. Our pads/covers are guaranteed to be free of defects in material and workmanship for a period of 24 months. If any defect in the material or workmanship is found, Stealth Products will repair or replace, at our discretion, the pad/cover of the product. This warranty does not apply to pads/covers abused or misused by the user and deemed such by Stealth Products, LLC.

Claims and repairs should be processed through the nearest Stealth Products provider.

No person is authorized to alter, extend, or waive the warranties of Stealth Products, LLC. Stealth Products warrants against failure due to defective materials or workmanship:

Hardware: 5 years

Electronics: 3 years

Limitations

4.1

This warranty does not extend to those items which may require replacement due to normal wear and tear:

- Outer covers
- Inner covers
- Circumstances beyond the control of Stealth
- Labor, service calls, shipping, and other charges incurred for repair of the product, unless specifically authorized, IN ADVANCE, by Stealth Products, LLC
- Repairs and/or modifications made to any part without specific consent from Stealth.

Exclusions also include components with damage caused by:

- Exposure to moisture

1.0 Customer Satisfaction	i
2.0 Important Information	ii
3.0 Introduction	iii
4.0 Warranty	iv
4.1 Limitations.....	iv
5.0 Table of Contents	v
6.0 Warning Labels	vi
6.1 Warning Labels.....	vi
6.2 Limited Liability.....	vi
6.3 Testing.....	vi
7.0 Parts and Accessories	1
7.1 Parts Included.....	1
8.0 Installation Instructions	2
8.1 Installing the Tone Deflector.....	2
9.0 Design and Function	4
9.1 Intended Use.....	4
10.0 First Time Use	5
10.1 Dealer Assistance.....	5
10.2 User Testing.....	5
10.3 Conditions of Use.....	5
11.0 Maintenance	6
11.1 Cleaning and Maintenance.....	6

Warning Labels

6.1

Warnings are included for the safety of the user, client, operator and property. Please read and understand what the signal words **SAFETY**, **NOTICE**, **CAUTION**, **WARNING** and **DANGER** mean, how they could affect the user, those around the user, and property.

 **DANGER**

Identifies an **imminent** situation which (if not avoided) will result in **severe injury, death, and property damage**.

 **WARNING**

Identifies a **potential** situation which (if not avoided) will result in **severe injury, death, and property damage**.

 **CAUTION**

Identifies a **potential** situation which (if not avoided) will result in **minor to moderate injury, and property damage**.

NOTICE

Identifies important information not related to injury, but possible **property damage**.

SAFETY

Indicates steps or instructions for safe practices, reminders of safe procedures, or important safety equipment that may be necessary.

Limited Liability

6.2

Stealth Products, LLC accepts no liability for personal injury or damage to property that may arise from the failure of the user or other persons to follow the recommendations, warnings, and instructions in this manual.

Testing

6.3

Initial setup and driving should be done in an open area free of obstacles until the user is fully capable of driving safely.

The Tone Deflector should always be tested without any person sitting in the wheelchair until every alteration of the physical installation or adjustment is complete.

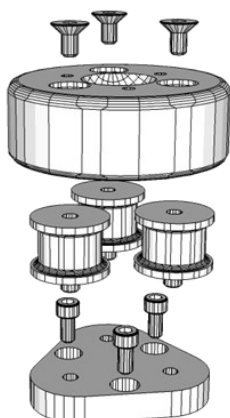
Parts Included

7.1

Depending on the Tone Deflector ordered, the provided screws will vary:

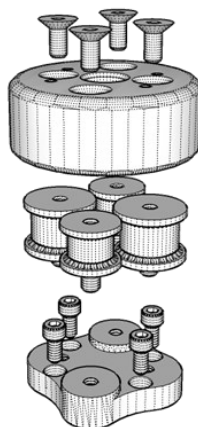
- Four 10-24x 3/8" Socket Head Screws
- Three 10-32x 3/8" Socket Head Screws

3 Hole Bolt Pattern
for 1in. Ball



TD101

4 Hole Bolt Pattern for
17mm Ball



TD100

NOTICE

TD100 must use the 10-24x 9/16" Socket Head Screws provided for mounting the headrest. Using shorter screws will cause stripping of the threaded screw holes.

NOTICE

TD101 uses the standard 10-32x 7/8" Socket Head Screws for mounting the headrest.

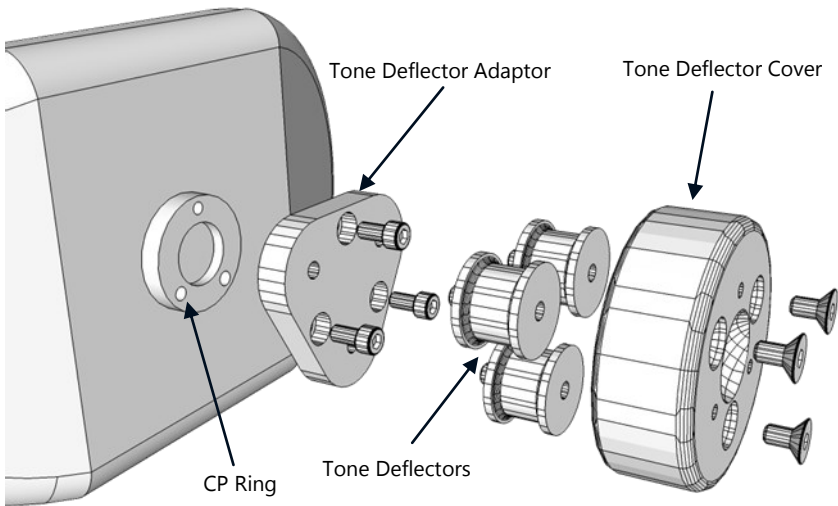
Installing the Tone Deflector

8.1

Installing a Tone Deflector requires four steps.

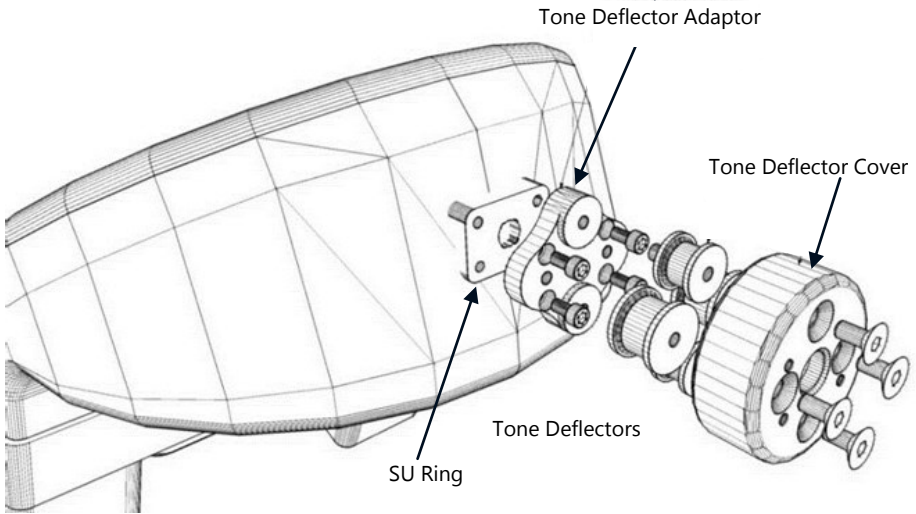
To install the TD101 3 Hole Bolt Pattern:

1. When disassembled, mount the Tone Deflector adaptor plate to the back of the headrest pad.
2. Mount the Tone Deflectors to the Tone Deflector adaptor plate.
3. Align the Tone Deflector Cover to the deflectors.
4. Attach the steel CP Ring to the Done Deflector Cover.



To install the TD100 4 Hole Bolt Pattern:

1. When disassembled, mount the Tone Deflector Adaptor Plate to the back of the headrest pad.
2. Mount the Tone Deflectors to the Tone Deflector Adaptor Plate.
3. Align the Tone Deflector Cover on the deflectors.
4. Attach the steel SU Ring to the Tone Deflector Cover.



Intended Use

9.1

The Tone Deflector is intended to serve two main functions when installed:

- Absorb
- Avert

The Tone Deflector's design absorbs high tone rearward and angular forces, quick impact loading and averts slanted angle loading up to 10° in any direction.



Dealer Assistance

10.1

During first time use by the client, it is advised that the dealer or service technician assists and explains the configuration to the customer (the user and/or the attendant). If needed, the dealer can make final adjustment.

WARNING

The Tone Deflector should only be prescribed and fitted by a qualified health care professional.

User Testing

10.2

It is important that the customer is fully aware of the installation and how the tone deflector can be adjusted in order to gain the best positioning possible.

As a dealer, proceed as follows:

- Explain and show the customer how you have executed the installation, and explain the function.

Have the user test the position of the Tone Deflector:

- Is the hardware in the proper position for the client?
- Can the user safely operate the chair?
- Is the placement of the Tone Deflector in an optimal position for the user?

If needed, adjust the Tone Deflector to the proper position.

Explain to the customer any possible issues and how to address them.

Conditions of Use

10.3

The Tone Deflector is intended for use as installed by the dealer, in accordance to the installation instructions in this manual:

- The foreseen conditions of use are communicated by the dealer or service technician to the user and/or attendant during the first time use.
- If the conditions of use change significantly, please contact your dealer or a qualified service technician to avoid excessive wear and tear or unintended damage.

Care and Maintenance

11.1

- Periodically check the hardware for loose screws or worn parts.
- Check for any breakdown of the material. This could be potentially dangerous for the client.

SAFETY

Replace or repair parts as needed.

- Gently remove dust and dirt with a damp cloth.

 DANGER

Failure to comply with these warnings could result in serious bodily harm.



Stealth Products, LLC. • info@stealthproducts.com • www.stealthproducts.com
+1(800) 965-9229 | +1(512) 715-9995 | 104 John Kelly Drive, Burnet TX 78611