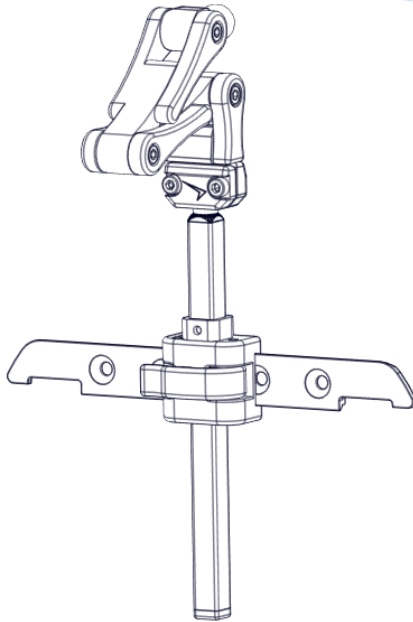


**Stealth Products**<sup>®</sup>

Head Support Hardware



**OWNER'S MANUAL**



## **UniLink Headrest Hardware**

---

Owner's Manual for  
UniLink Headrest Hardware



Stealth Products, LLC strives for 100% customer satisfaction. Your complete satisfaction is important. Please contact us with feedback or to suggest changes which may help improve the quality and usability of our products. You may reach us at:



Stealth Products, LLC  
104 John Kelly Drive, Burnet, TX 78611  
Phone: (512) 715-9995      Toll Free: (800) 965-9229  
Fax: (512) 715-9954      Toll Free: (800) 806-1225  
info@stealthproducts.com      www.stealthproducts.com



MDSS GmbH  
Schiffgraben 41  
30175 Hannover, Germany



## General

Read and understand all instructions prior to using this product. Failure to adhere to instructions and warnings in this document may result in property damage, injury, or death. Product misuse due to failure to adhere to the following instructions will void the warranty.

Immediately discontinue use if any function is compromised, if parts are missing or loose, or if any component shows signs of excessive wear. Consult with your supplier for repair, adjustment, or replacement.

## Important Information!

All persons responsible for fitting, adjustment, and daily use of the devices discussed in these instructions must be familiar with and understand all safety aspects of the devices mentioned. In order for our products to be used successfully, you must:

- read and understand all instructions and warnings;
- maintain our products according to our instructions on care and maintenance; and
- ensure devices are installed and adjusted by a trained technician.

## Supplier Reference

Supplier:	
Telephone:	
Address:	
Purchase Date:	
Model:	

The installation instructions will guide you through this product's options and possibilities.

Instructions are written with the expressed intent of use with standard configurations. They also contain important safety and maintenance information, as well as describe possible problems that can arise during use. For further assistance, or more advanced applications, please contact your supplier or Stealth Products at (512) 715-9995 or toll free at (800) 965-9229.

Always keep the operating instructions in a safe place so they may be referenced as necessary.

All information, pictures, illustrations, and specifications are based on the product information that was available at the time of printing. Pictures and illustrations shown in these instructions are representative examples and are not intended to be exact depictions of the various parts of the product.

### CAUTION

These products are designed to be fitted, applied, and installed exclusively by a healthcare professional trained for these purposes. The fitting, application, or installation by a non-qualified individual may result in serious injury.

## Ordering Documentation

You can download additional copies of this manual by visiting the Stealth website ([www.stealthproducts.com](http://www.stealthproducts.com)) and searching "UniLink Headrest Hardware" in the search bar at the top of the page.



Our products are designed, manufactured, and produced to the highest of standards. If any defect in material or workmanship is found, Stealth Products, LLC will repair or replace the product at our discretion. Any implied warranty, including the implied warranties of merchantability and fitness for a particular purpose, shall not extend beyond the duration of this warranty. Stealth Products, LLC does not warrant damage due to, but not limited to:

- misuse, abuse, or misapplication of products, or
- modification of product without written approval from Stealth Products, LLC.

Any alteration or lack of serial number, where applicable, will automatically void this warranty.

Stealth Products, LLC is liable for replacement parts only.

No person is authorized to alter, extend, or waive the warranties of Stealth Products, LLC.

Stealth Products, LLC warrants against failure due to defective materials or workmanship for the following durations:

**Covers/Soft Goods:** 2 years

**Hardware:** 5 years

**Electronics:** 3 years

## In Case of Product Failure

In the event of product failure covered by our warranty, please follow the procedures outlined below:

1. Call Stealth Products at (512) 715-9995 or toll free at (800) 965-9229.
2. Request a Return Authorization form (RA) and follow documentation instructions.

<b>1.0 Customer Satisfaction</b> .....	<b>i</b>
<b>2.0 Important Information</b> .....	<b>ii</b>
<b>3.0 Introduction</b> .....	<b>iii</b>
<b>4.0 Warranty</b> .....	<b>iv</b>
<b>5.0 Table of Contents</b> .....	<b>v</b>
<b>6.0 Warning Labels</b> .....	<b>vii</b>
6.1 Warning Labels .....	vii
6.2 Limited Liability.....	vii
6.3 Testing .....	vii
<b>7.0 Design and Function</b> .....	<b>viii</b>
7.1 Intended Use .....	viii
7.2 Product Feature Overview .....	viii
<b>8.0 Parts and Accessories</b> .....	<b>1</b>
8.1 UniLink Headrest Hardware Package .....	1
<b>9.0 Installation Instructions</b> .....	<b>2</b>
9.1 Preparations.....	3
9.2 Tools.....	3
9.3 Installation Plan .....	3
9.4 Required Tools.....	4
9.5 Installing the UniLink Headrest Hardware .....	5
9.6 Attaching a Head Support Attachment.....	7
9.7 Headrest Adjustment.....	8

<b>10.0 First-Time Use .....</b>	<b>9</b>
10.1 Dealer Assistance .....	9
10.2 User Testing .....	9
10.3 Conditions of Use.....	9
<b>11.0 Maintenance.....</b>	<b>10</b>
11.1 Maintenance.....	10
11.2 Cleaning .....	10
<b>12.0 Notes.....</b>	<b>11</b>

## Warning Labels

### 6.1

Warnings are included for the safety of the user, client, operator and property. Please read and understand what the signal words **DANGER, WARNING, CAUTION, NOTICE** and **SAFETY** mean, and how they could affect the user, those around the user, and property.

#### **DANGER**

Identifies an **imminent** situation which, if not avoided, may result in **severe injury, death, and/or property damage**.

#### **WARNING**

Identifies a **potential** situation which, if not avoided, may result in **severe injury, death, and/or property damage**.

#### **CAUTION**

Identifies a **potential** situation which, if not avoided, may result in **minor to moderate injury and/or property damage**.

#### **NOTICE**

Identifies important information not related to injury, but possible **property damage**.

#### **SAFETY**

Indicates steps or instructions for safe practices, reminders of safe procedures, or important safety equipment that may be necessary.

## Limited Liability

### 6.2

Stealth Products, LLC accepts no liability for personal injury or damage to property that may arise from the failure of the user or other persons to follow the recommendations, warnings, and instructions in this manual.

Stealth Products, LLC does not hold responsibility for final integration or final assembly of product to end user. Stealth Products, LLC is not liable for user death or injury.

## Testing

### 6.3

Initial setup and driving should be done in an open area free of obstacles under the direct supervision of a qualified professional.







# Installation Instructions



## Required Tools

## 9.4

The tools needed to complete the installation are as follows:



<i><b>Tool:</b></i>
4mm hex key
3mm hex key
2mm hex key



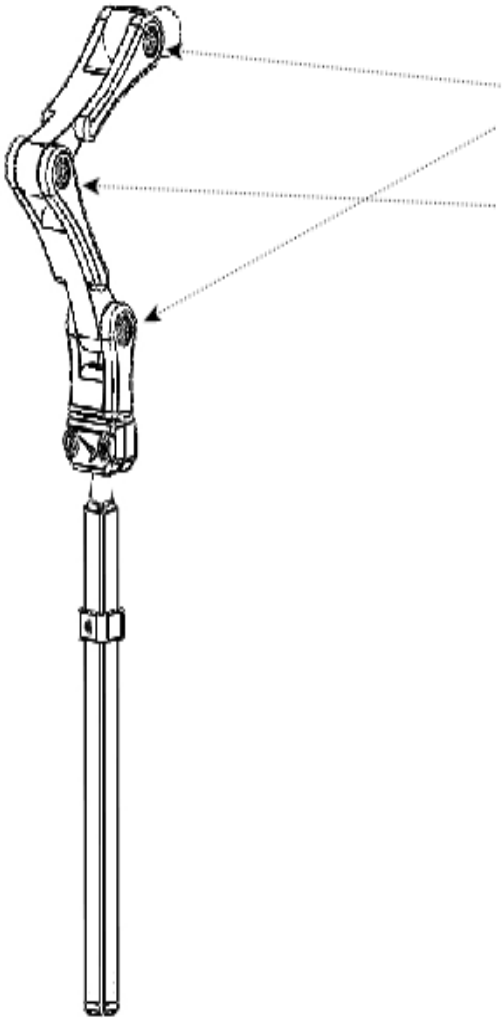






## Adjustments

### 9.7



*To make further adjustments to the final orientation of the headrest, loosen the three screws as shown in the image.*

## Dealer Assistance

### 10.1

During first-time use by the client, it is advised that the dealer or service technician not only assemble the components, but also explain the configuration of user positioning to the customer (i.e., the user or the attendant). If needed, the dealer can make final adjustments.

## User Testing

### 10.2

It is important that the customer is fully aware of the installation of the **UniLink** headrest hardware, how to use it, and how it can be adjusted to fit the client comfortably. A dealer or service technician should:

- explain to and show the customer how you have executed the installation; and
- explain the hardware's function.

Have the user test the position of the **UniLink** headrest hardware.

- Is the hardware in the proper position for the client?
- Can the user safely operate all wheelchair controls with minimal effort?

If needed, make any adjustments to the positioning, and explain possible problems to the customer and how to address them.

#### CAUTION

Avoid sharp objects. Do not modify the product. Modifying the product will void its warranty and may lead to personal injury or alter the effectiveness of the product.

## Conditions of Use

### 10.3

The **UniLink** headrest hardware is intended for use as installed by the dealer or service technician, in accordance with the installation instructions in this manual.

- Ensure the foreseen conditions of use are communicated by the dealer or service technician to the user and/or attendant during the first-time use.
- If the usage conditions change significantly, please contact your dealer or a qualified service technician to avoid unintended damage.

## Maintenance

## 11.1

These care and guideline instructions will keep the hardware and covers in good condition for a longer period of time and prevent damage.

- Repair or replace parts as needed.
- Gently remove dust and dirt from hardware with a soft, damp cloth.

### **WARNING**

Smoking while using this product or its system is not recommended. Damage from smoke and/or flames is not covered by the warranty. Please consider additional safety precautions when choosing to smoke while using this product.

## Cleaning

## 11.2

- Use a soft cloth to gently clean the hardware especially after harsh environmental exposure.
- Ensure all cleaners are approved for finished steel and aluminum.

### **WARNING**

It is not recommended to use this product after a crash.

### **CAUTION**

Always check all mounting hardware, making sure each fastener is properly tightened, before using the back support.

### **CAUTION**

To ensure adherence to listed safety guidelines, use this manual in conjunction with the manual provided with your chair.

### **NOTICE**

Improperly installing or altering the hardware in any way will void the warranty.

### **SAFETY**

Replace or repair parts as needed.





Stealth Products, LLC • [info@stealthproducts.com](mailto:info@stealthproducts.com) • [www.stealthproducts.com](http://www.stealthproducts.com)  
(800) 965-9229 | (512) 715-9995 | 104 John Kelly Drive, Burnet TX 78611