

PRODUCT SPECIFICATIONS SHEET

Model: Rival

Manufacturer: Pride Mobility Products Company

Internet Address: www.pridemobility.com

Document Information: INFNFB3010/Rev B/April 2012

Weight Capacity:	136 kg (300 lb)
Maximum Speed: ¹	Up to 9.6 km/h (6 mph)
Ground Clearance: ²	8.25 cm (3.25 in.) from center of base
Turning Radius: ²	90.8 cm (35.75 in.) without front riggings
Overall Size: ^{2, 6}	Length: 119 cm (47 in.) with front riggings; 91 cm (36 in.) without front riggings Width: 75 cm (29.6 in.)
Drive Wheels:	35.5cm (14 in.), pneumatic or solid available
Caster Wheels:	Front: 23 cm (9 in) pneumatic
Suspension:	Active-Trac ATX with Long Trail Arm
Range: ^{1, 4}	Variable up to 25 km (15.5 miles)
Brakes:	"Intelligent Braking" electronic regenerative, disc park brake
Drivetrain:	Two motor, rear-wheel
Batteries: ³	Two 12-volt, deep-cycle Group 24 batteries
Battery Charger:	8-amp, off-board
Component Weights:	Base: 58.51 kg (129 lbs.) Batteries: 23.13 kg (51 lbs.)
Class of Use:	B
Maximum Allowable Incline:	13.2% (7.5°)
Maximum Angle Capacity:	15.8% (9°)
Maximum Obstacle Climbing Ability:	6 cm (2.3 in.)

¹ Varies with base model, user weight, terrain type, battery amp hour rating (Ah), battery charge, battery condition, motors, controller type, tire type, and tire condition. This specification can be subject to variance of + 10%, -5%.

² Due to manufacturing tolerances and continued product improvement, this specification can be subject to variance of (+ or -) 3%.

³ AGM or Gel-Cell type required. See V. "Batteries and Charging."

⁴ Tested in accordance with ANSI/RESNA, WC Vol 2, Section 4 and ISO 7176-4 standards. Results derived from theoretical calculation based on battery specifications and drive system performance. Test conducted at maximum weight capacity.

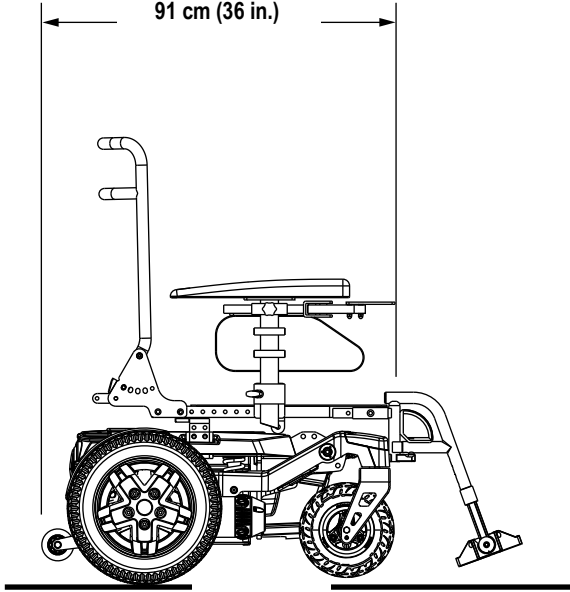
⁵ Battery weight may vary based on manufacturer.

⁶ Dimensions listed are for power base only. Overall measurements will vary based on seating and accessory selections.

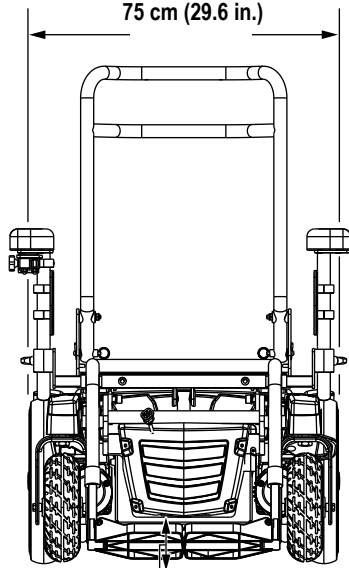
NOTE: This product conforms to all applicable ANSI/RESNA testing requirements and ISO EN12184 standards. All specifications subject to change without notice.

LENGTH (WITH FRONT RIGGINGS)
119 cm (47 in.)

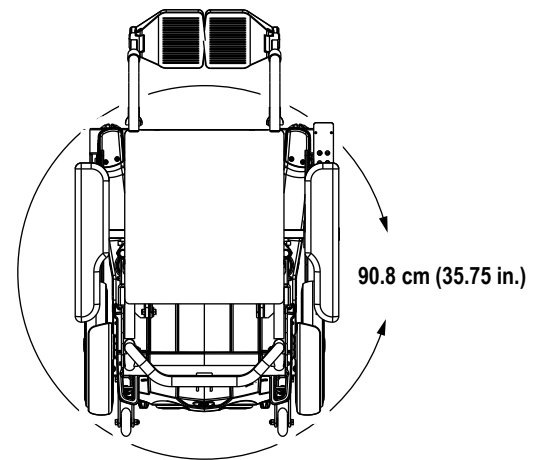
LENGTH (WITHOUT FRONT RIGGINGS)
91 cm (36 in.)



WIDTH AT WHEELS
75 cm (29.6 in.)



GROUND CLEARANCE
8.25 cm (3.25 in.)



TURNING RADIUS
(WITHOUT FRONT RIGGINGS)