



PRODUCT SPECIFICATIONS SHEET

Class of Use	B
Weight Capacity	136 kg (300 lbs.) with adjustable comfort back and sling back
Maximum Speed ¹	Up to 9.6 km/h (6 mph)
Ground Clearance ²	73.4 mm (2.9 in.) at frame 63.5 mm (2.5 in.) at caster pivot 12.7 mm (0.5 in.) at articulating foot platform
Turning Radius ²	552.5 mm (21.75 in.)
Overall Size ^{2, 6}	Length: 1143 mm (44.9 in.) Width: 616 mm (24.25 in.)
Drive Wheels	355.6 mm (14 in.), pneumatic and solid available
Caster Wheels	152.4 mm (6 in.) solid
Suspension	ATX Suspension (Active-Trac® with extra stability)
Range ^{1, 4}	Up to 25 km (15.5 miles)
Component Weights ⁵	Base: 62 kg (137 lbs.) Batteries: 16.94 kg (37.4 lbs.) each
Drivetrain	Two motor, Mid-wheel 6® drive
Brakes	“Intelligent Braking” electronic regenerative, disc park brake
Batteries ³	Two 12 volt, deep-cycle NF-22 batteries
Battery Charger	8 amp, off-board
Freewheel Operational Force	Less than 60 N
Drive Control Operational Force	Less than 5 N
Maximum Rated Slope	13.2% (7.5°)
Maximum Obstacle Climbing Ability (Ascending and Descending)	76.2 mm (3 in.)
Measured Sound Level (A-weighted)	Less than 65 dB

¹ Varies with base model, user weight, terrain type, battery amp hour rating (Ah), battery charge, battery condition, motors, controller type, tire type, and tire condition. This specification is subject to a variance of +10%, -5%.

² Due to manufacturing tolerances and continued product improvement, this specification can be subject to a variance of (+ or -) 3%.

³ AGM or Gel-Cell type required. See “Batteries and Charging.”

⁴ Tested in accordance with ANSI/RESNA, WC Vol. 2, Section 4 & ISO 7176-4 standards. Results derived from theoretical calculations based on battery specifications and drive system performance. Test conducted at maximum weight capacity.

⁵ Battery weight may vary based on manufacturer.

⁶ Dimensions listed are for power base only. Overall measurements will vary based on seating and accessory selections.

NOTE: This product conforms to all applicable ANSI/RESNA, ISO 7176 Series, and EN12184 standards. All specifications subject to change without notice.

Rev A/May 2018

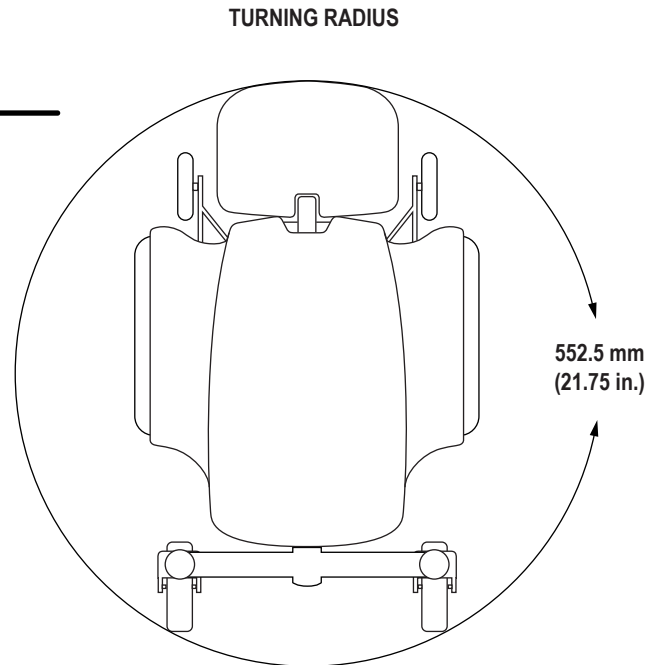
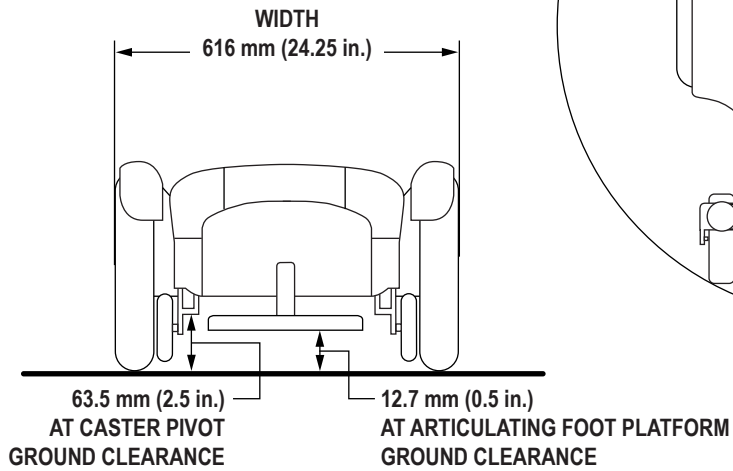
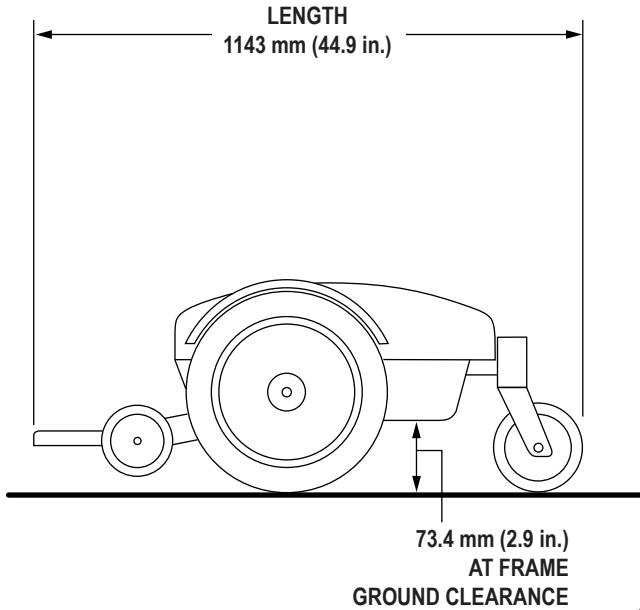


I N F I N I T Y B 3 9 6 7



Q4

PRODUCT SPECIFICATIONS SHEET



Rev A/May 2018

