

PRODUCT SPECIFICATIONS SHEET

Model: Pathrider 143 XLD (SC614)

Manufacturer: Pride Mobility Products Australia Pty. Ltd.

Internet Address: www.pridemobility.com

Document Information: INFNFB2697/Rev A/July 2011

Model Number	SC614
Class	C
Maximum Obstacle Climbing Ability	10.16 cm (4 in.)
Maximum Angle Capacity	26.8% (15°)
Maximum Allowable Incline	17.6% (10°)
Overall Length ²	139.7 cm (55 in.)
Overall Width ²	69.2 cm (27.25 in.)
Total Weight	154.22 kg (340 lbs.)
Total Weight Without Batteries ^{2, 6}	108 kg (238 lbs.)
Heaviest Piece When Disassembled ²	Main frame: 82.8 kg (182.5 lbs.)
Turning Radius ²	127.3 cm (50.12 in.)
Speed (Maximum) ¹	16 km/h (10 mph)
Range Per Charge ^{1, 4}	Up to 37.16 km (23.09 miles) with 92 Ah batteries Up to 30.01 km (18.65 miles) with 70 Ah batteries
Ground Clearance ²	14.6 cm (5.75 in.)
Weight Capacity	181 kg (400 lbs.)
Standard Seating	Type: Captain Weight: 24.72 kg (54.5 lbs.) Material: Black Vinyl Dimensions: 45 cm (18 in.) width, 45 cm (18 in.) depth 47 cm (18.5 in.) height
Drive System	Rear-wheel drive, sealed transaxle, 24-volt DC motor
Dual Braking System	Regenerative and electromechanical
Tyres	Type: Pneumatic Front and rear: 33 cm (13 in.)
Battery Requirements ^{3, 5}	Two 12-volt, deep-cycle Size: Group 27 (92 Ah) or Group 24 (70 Ah) Battery weight: 92 Ah: 27.44 kg (60.5 lbs.) each, 70 Ah: 25 kg (55 lbs.) each
Battery Charger	8-amp, off-board

¹ Varies with user weight, terrain type, battery amp-hour (Ah), battery charge, battery condition and tyre condition. This specification can be subject to a variance of +10%, -5%.

² Due to manufacturing tolerances and continual product improvement, this specification can be subject to a variance of (+ or -) 3%.

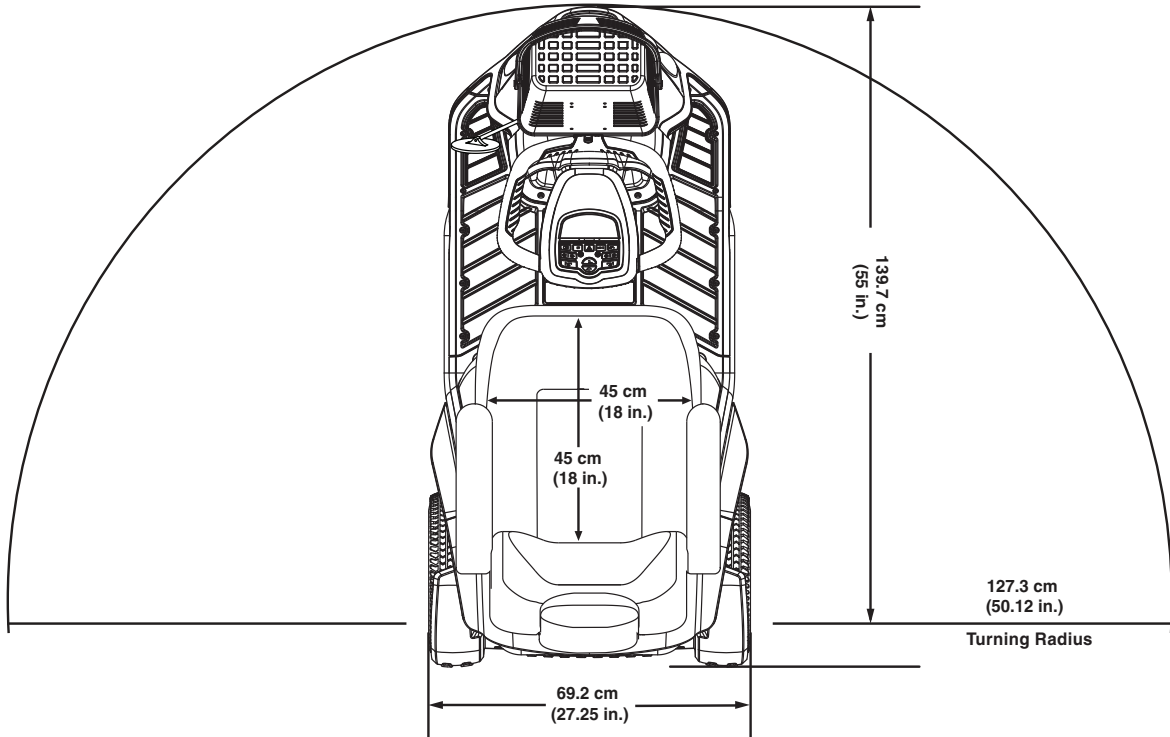
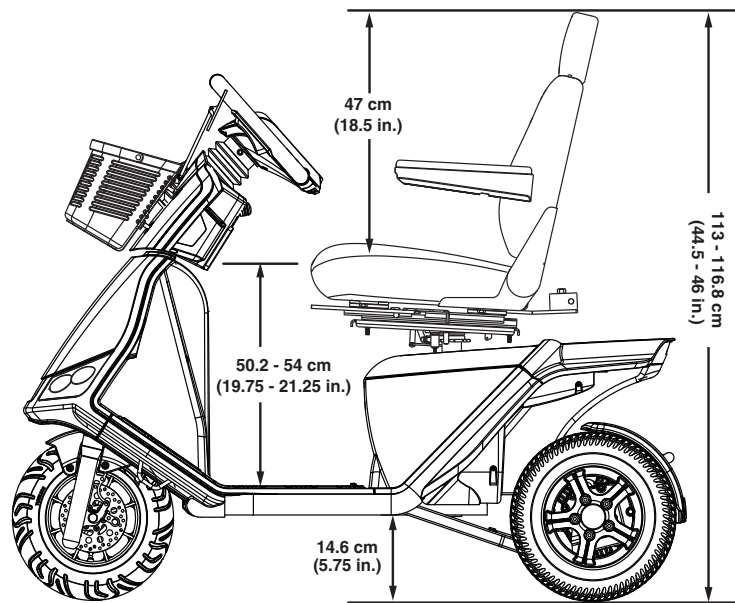
³ AGM or Gel-Cell type required. See IV. "Batteries and Charging".

⁴ Tested in accordance with ANSI/RESNA, WC Vol 2, Section 4 & ISO 7176-4 standards. Results derived from theoretical calculation based on battery specifications and drive system performance. Test conducted at maximum weight capacity.

⁵ Battery weight may vary based on manufacturer.

⁶ Includes standard seat.

NOTE: This product conforms to all applicable ANSI/RESNA testing requirements and ISO 7176 series EN12184 standards. All specifications subject to change without notice.



I NFI NFB2697