

PRODUCT SPECIFICATIONS SHEET

Model: Pathrider ES10

Manufacturer: Pride Mobility Products Australia Pty. Ltd.

Internet Address: www.pridemobility.com

Document Information: INFINFB3064/Rev A/June 2012

Model Number	S104
Overall Length ²	119.4 cm (47 in.)
Overall Width ²	57.15 cm (22.5 in.)
Total Weight Without Batteries ^{2, 6}	52.6 kg (116 lbs.)
Heaviest Piece When Disassembled	Front Section: 25.8 kg (57 lbs.)
Turning Radius ²	132.08 cm (52 in.)
Speed (Maximum) ¹	6.4 km/h (4 mph)
Range Per Charge ^{1, 4}	25 km (15.5 miles)
Ground Clearance ²	6.98 cm (2.75 in.) at mid-frame
Weight Capacity	158 kg (350 lbs.)
Standard Seating	Type: Foldable Molded Plastic Weight: 9.75 kg (21.5 lbs.) Material: Black Vinyl Dimensions: 45.72 cm (18 in.) overall width; 43.18 cm (17 in.) overall depth
Drive System	Rear-wheel drive, sealed transaxle, 24-volt DC motor
Dual Braking System	Regenerative and electromechanical
Tyres	25.4 cm (10 in.); solid; front and rear
Battery Requirements ^{3, 6}	Size: 27 Ah; Two 12-volt, deep-cycle Battery Weight: 8 kg (18 lbs.) each
Class of Use	B
Maximum Allowable Incline	14.1% (8°)
Maximum Angle Capacity	17.6% (10°)
Maximum Obstacle Climbing Ability	7.62 cm (3 in.)

¹ Varies with user weight, terrain type, battery amp-hour rating (Ah), battery charge, battery condition, tyre type, and tyre condition. This specification can be subject to a variance of +10%, -5%.

² Due to manufacturing tolerances and continual product improvement, this specification can be subject to a variance of (+ or -) 3%.

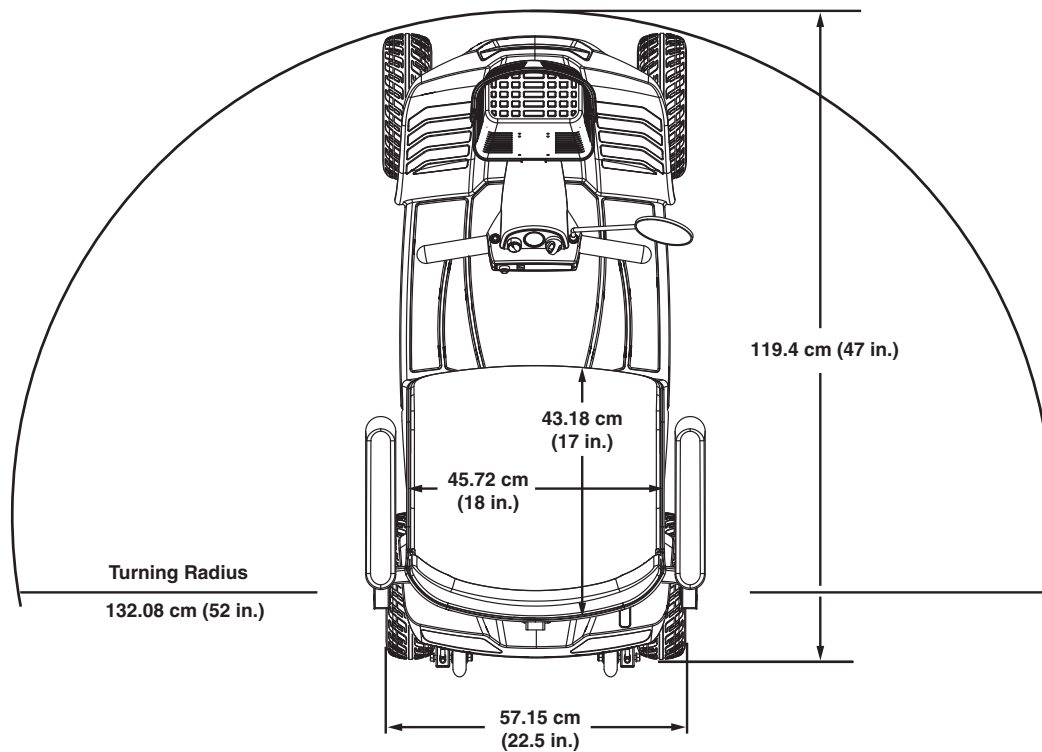
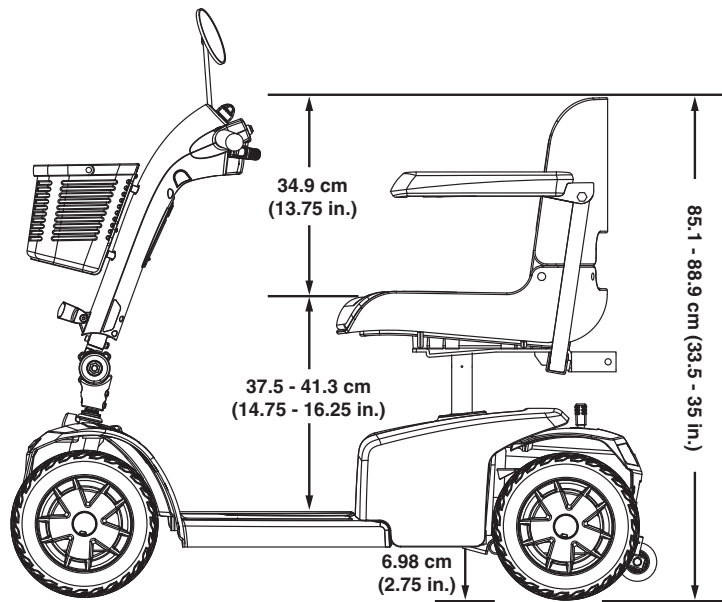
³ AGM or Gel-Cell type required. See IV. "Batteries and Charging."

⁴ Tested in accordance with ANSI/RESNA, WC Vol 2, Section 4 & ISO 7176-4 standards. Results derived from theoretical calculation based on battery specifications and drive system performance. Test conducted at maximum weight capacity with MK-ES40-12, 12V 45Ah batteries.

⁵ Includes standard seat.

⁶ Battery weight may vary based on manufacturer.

NOTE: This product conforms to all applicable ANSI-RESNA testing requirements and ISO 7176 series EN12184 standards. All specifications subject to change without notice.



* I NFI NFB3064 *