

# Silver Star™ Ramps



OWNER'S MANUAL

**Pride**  
**SilverStar** ★  
Lifts and Ramps  
[www.silverstarlifts.com](http://www.silverstarlifts.com)

**Including: Single Fold Ramps and Solid Ramps**

[www.silverstarlifts.com](http://www.silverstarlifts.com) [www.pridemobility.com](http://www.pridemobility.com)

# SAFETY GUIDELINES

The symbols below are used throughout this owner's manual and on the product to identify warnings and important information. It is very important for you to read them and understand them completely.



**WARNING!** Indicates a potentially hazardous condition/situation. Failure to follow designated procedures can cause either personal injury, component damage or malfunction. On the product, this icon is represented as a black symbol on a yellow triangle with a black border.



**MANDATORY!** These actions should be performed as specified. Failure to perform mandatory actions can cause personal injury and/or equipment damage. On the product, this icon is represented as a white symbol on a blue dot with a white border.



**PROHIBITED!** These actions are prohibited. These actions should not be performed at any time or in any circumstances. Performing a prohibited action can cause personal injury and/or equipment damage. On the product, this icon is represented as a black symbol with a red circle and red slash.

**Please fill out the following information for quick reference:**

<b>Pride Dealer:</b> _____
<b>Address:</b> _____
<b>Phone Number:</b> _____
<b>Purchase Date:</b> _____ <b>Serial Number:</b> _____

***NOTE: This owner's manual is compiled from the latest specifications and product information available at the time of publication. We reserve the right to make changes as they become necessary. Any changes to our products may cause slight variations between the illustrations and explanations in this manual and the product you have purchased. The latest/current version of this manual is available on our website.***



# TABLE OF CONTENTS

I. INTRODUCTION.....	4
II. SAFETY.....	5
III. WARRANTY.....	6
APPENDIX.....	7

# I . I N T R O D U C T I O N

Welcome to Silver Star, a division of Pride Mobility Products Ltd. (Pride). Congratulations on the purchase of your new Silver Star Ramp. The Silver Star Ramp design combines the most advanced state-of-the-art components with modern, attractive styling. We are certain that the design features and trouble-free operation will add convenience to your daily living and ensure complete satisfaction.

At Pride, your safety is important to us. **Please read and follow all instructions in this manual before using your product for the first time.** These instructions were produced for your benefit. Your understanding of these instructions is essential for the safe operation of your new Silver Star Ramp.

Pride is not liable for damage to property or personal injury arising out of the unsafe use of the Silver Star Ramp. Pride is also not liable for any property damage or personal injury arising out of the failure of any person and/or user to follow the instructions and recommendations set forth in this manual or any other instructions or recommendations contained in other ramp related literature issued by Pride or contained on the Silver Star Ramps themselves.

## INTERNET AND PRIVATE PURCHASES

If you purchased your product over the internet or from a previous owner and you have any questions about the safe use and/or maintenance of the product, please visit Silver Star's web site [www.silverstarlifts.com](http://www.silverstarlifts.com) or contact your authorised Pride Dealer.

## PURCHASER'S AGREEMENT

By accepting delivery of this product, you promise that you will not change, alter or modify this product or remove or render inoperable or unsafe any guards, shields or other safety features of this product; fail, refuse or neglect to install any retrofit kits from time to time provided by Pride to enhance or preserve the safe use of this product.

## INFORMATION EXCHANGE

We want to hear your questions, comments and suggestions about this manual. We would also like to hear about the safety and reliability of your new Silver Star Ramp and about the service you received from your authorised Pride Dealer.

Please notify us of any change of address, so we can keep you apprised of important information about safety, new products and new options that can increase your ability to use and enjoy your new Silver Star Ramp.

***NOTE: If you ever lose or misplace your product registration card or your copy of this manual, contact us and we will be glad to send you a new one immediately.***

# II. SAFETY

## PRODUCT SAFETY

Silver Star Ramps are intended for use as utility devices for the purpose of negotiating steps or other obstacles with scooters, power chairs and manual wheelchairs or hand trucks and similar products. Check the ramp periodically for wear and loose or damaged parts. If your ramp is exhibiting wear that you feel is questionable in any way, contact your authorised Pride Dealer.

The symbols below are used on the ramps to identify warnings, mandatory actions and prohibited actions. It is very important for you to read and understand them completely.



Read and follow the information in the owner's manual before operating the product.



Maximum total ramp weight capacity is 272 kg/600 lbs. Do not exceed the recommended weight capacity for the ramp. When using the ramp, weight should be distributed evenly per side.



Ramp surfaces may become slippery when wet. Keep the ramp dry and free of foreign materials that may prevent safe operation. Exercise extreme caution when using the ramp during inclement weather conditions.



Do not exceed the maximum recommended incline angle of an occupied mobility device as determined by the manufacturer of the mobility device. Refer to the mobility device owner's manual, as well as the degree of inclination chart in Appendix A for more information.



Pinch point exists in Single Fold Ramp hinge. Keep fingers away from the hinge while folding or unfolding the ramp.

**WARNING!** Ramps are heavy. Refer to the specifications table for individual ramp weights. Use proper lifting techniques and avoid lifting weights beyond your physical capability. If necessary, get someone physically able to lift and manoeuvre the ramp for you.

**WARNING!** Do not modify the ramp in any way not authorised by Pride. Unauthorised modifications will void your warranty and may result in personal injury.



**WARNING!** Make sure that the ramp is securely positioned on a flat, level surface. The bottom of the ramp must be set firmly on the ground and the top of the ramp must be set flush to the step or vertical lip. Pride strongly recommends that you lock the ramp in place using the supplied detent pins. If necessary, drill holes in support surfaces to facilitate the use of the detent pins.

**WARNING!** Do not allow children to play on or around the ramp. The ramp should not be used as a ramp for skateboarding or biking jumps.

# III . WARRANTY

## ONE-YEAR TRANSFERABLE LIMITED WARRANTY

For one (1) year from the date of purchase, your authorised Pride Dealer will repair or replace at our option any mechanical or electrical component found upon examination by an authorised representative of Pride Mobility Products to be defective in material and/or workmanship.

This warranty does not extend to those items which may require replacement due to normal wear and tear.

- Labour, service calls, shipping and other charges incurred for repair of the product, unless specifically authorised by your authorised Pride Dealer IN ADVANCE, are excluded.

### **Exclusions also include components with damage caused by:**

- Contamination
- Abuse, misuse, accident or negligence
- Commercial use or use other than normal
- Improper operation, maintenance or storage
- Repairs and/or modifications made to any part without specific consent from your authorised Pride Dealer
- Circumstances beyond the control of Pride

## SERVICE CHECKS AND WARRANTY SERVICE

An authorised Pride Mobility Products Dealer must perform warranty service. Do not return faulty product to Pride Mobility Products without prior written authorisation. All transportation costs and shipping damage incurred while submitting product for repair or replacement is the responsibility of the purchaser.

***NOTE: Pride Mobility Products Ltd. provides parts only under warranty. Your Pride Dealer is responsible for labour and service. Please contact your Pride Dealer for information about these services and for any applicable charges.***

Failure to follow the instructions, warnings and notes in the owner's manual and those located on your Pride ramp product can result in personal injury or product damage and will void Pride's product warranty.

There is no other express warranty.

Please fill out and return the product registration card to Pride Mobility Products Ltd. This will aid Pride in providing the best possible technical and customer service.

# APPENDIX A: INCLINE GUIDELINES

					16.1° (29%)	51 cm (20 in.)
					14.5° (26%)	46 cm (18 in.)
				15.5° (28%)	12.8° (23%)	41 cm (16 in.)
			17° (30%)	13.5° (24%)	11.2° (20%)	36 cm (14 in.)
			14.5° (26%)	11.5° (20%)	9.6° (17%)	30 cm (12 in.)
		16.1° (29%)	12° (21%)	9.6° (17%)	8.0° (14%)	25 cm (10 in.)
		14.5° (26%)	10.8° (19%)	8.6° (15%)	7.2° (13%)	23 cm (9 in.)
		12.8° (23%)	9.6° (17%)	7.7° (13%)	6.4° (11%)	20 cm (8 in.)
	17° (30%)	11.2° (20%)	8.4° (15%)	6.7° (12%)	5.6° (10%)	18 cm (7 in.)
	14.5° (26%)	9.6° (17%)	7.2° (13%)	5.7° (10%)	4.8° (8%)	15 cm (6 in.)
16.1° (29%)	12° (21%)	8° (14%)	6° (10%)	4.8° (8%)	4.0° (7%)	13 cm (5 in.)
12.8° (23%)	9.6° (17%)	6.4° (11%)	4.8° (8%)	3.8° (7%)	3.2° (5.5%)	10 cm (4 in.)
9.6° (17%)	7.2° (13%)	4.8° (8%)	3.6° (6%)	2.9° (5%)	2.4° (4%)	8 cm (3 in.)
6.4° (11%)	4.8° (8%)	3.2° (6%) <sup>†</sup>	2.4° (4%) <sup>†</sup>	1.9° (3%) <sup>†</sup>	—	5 cm (2 in.)
3.2° (6%)	—	—	—	—	—	2.5 cm (1 in.)
46 cm (1.5 ft.) <sup>†</sup> 61 cm (2 ft.) 91 cm (3 ft.) 122 cm (4 ft.) 152 cm (5 ft.) 183 cm (6 ft.) <sup>‡</sup>						

<sup>†</sup> = Solid Ramp

<sup>‡</sup> = Single Fold Ramp

° = degree of slope

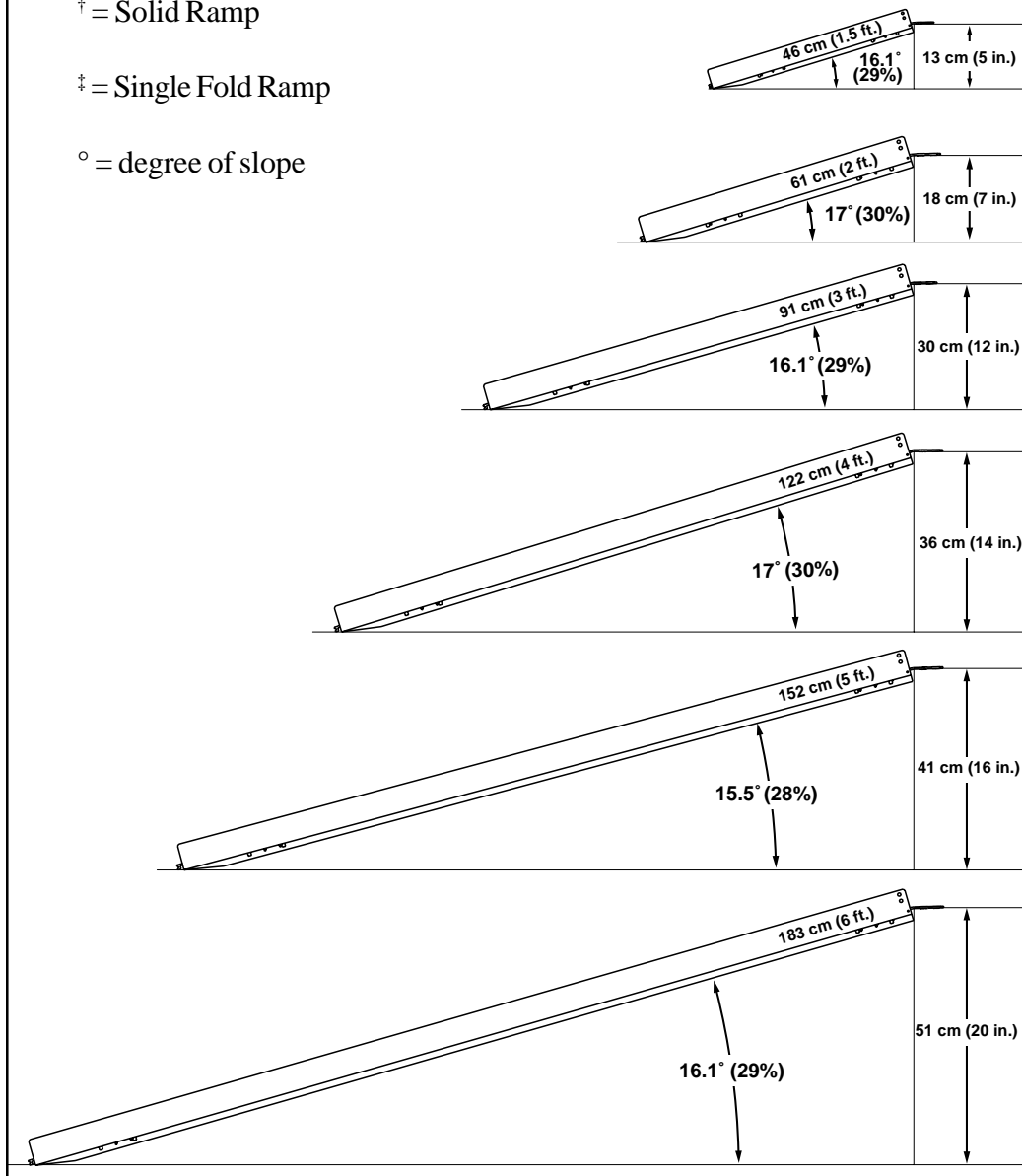


Figure 1. Maximum Ramp Height and Incline Angle

# APPENDIX B: SPECIFICATIONS

SPECIFICATIONS	
Length	183 cm (6ft.) <sup>‡</sup> , 152 cm (5 ft.), 122 cm (4 ft.), 91 cm (3 ft.), 61 cm (2 ft.), 45.72 cm (1.5 ft.) <sup>†</sup>
Width (Folded)	37.5 cm (14.75 in.)
Width (Unfolded)	75 cm (29.5 in.)
Width	76 cm (30 in.) <sup>†</sup>
Weights	1.5 ft. (7.7 lbs./3.5 kg) <sup>†</sup> , 2 ft. (12.0 lbs./5.4 kg), 3 ft. (17.5 lbs./8.0 kg), 4 ft. (23.5 lbs./10.7 kg), 5 ft. (29.5 lbs./13.4 kg), 6 ft. (35.0 lbs./16.0 kg) <sup>‡</sup>
Weight Capacity	272 kg (600 lbs.)

- † Solid Ramp
- ‡ Single Fold Ramp

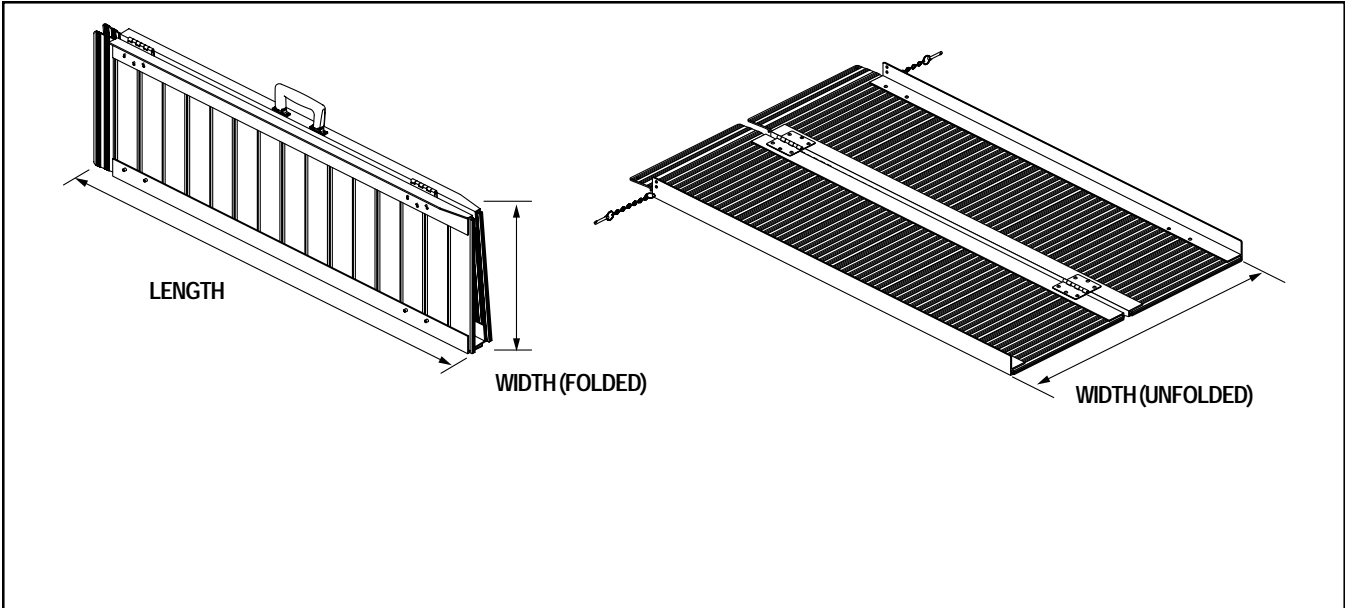


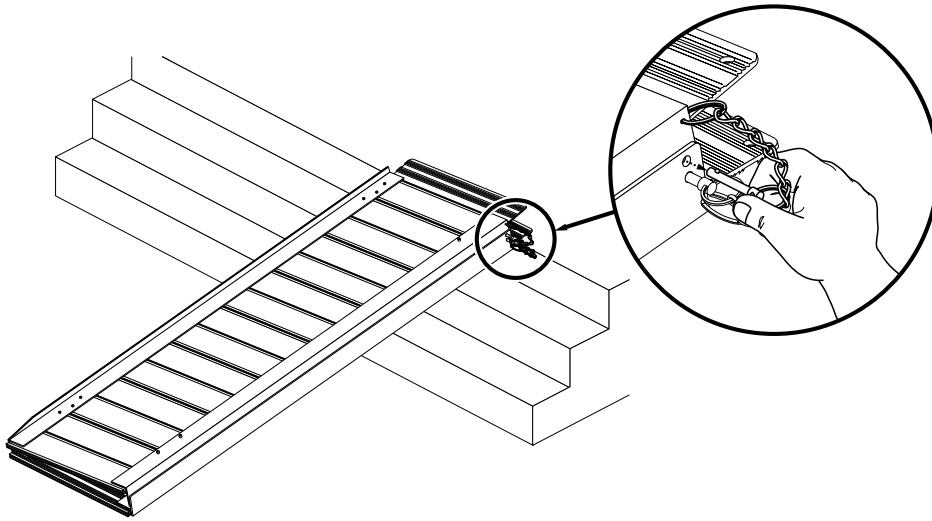
Figure 2. Specifications



# APPENDIX C : SETUP

1

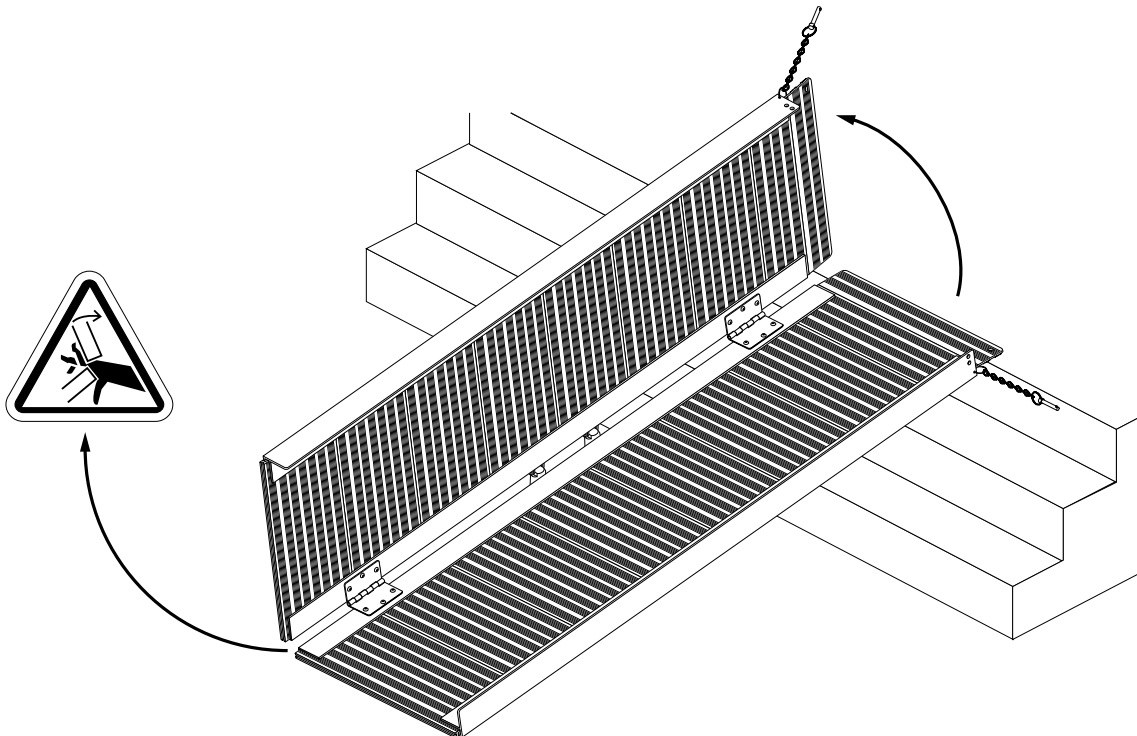
Place the ramp against a flat, level surface and remove the detent pins.



*NOTE: Make sure ramp is set securely against a flat, level surface. Refer to Figure 1 for maximum ramp height and incline angle.*

2

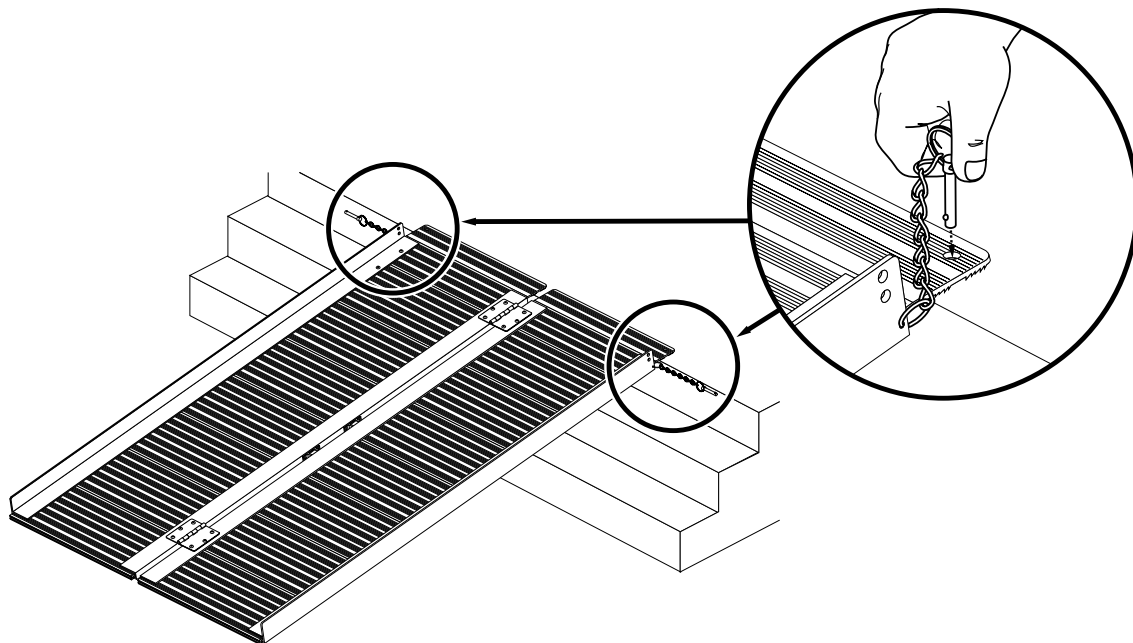
Unfold the ramp.



# APPENDIX C : SETUP

**3**

**Insert detent pins into the support surface to secure the ramp.**



*NOTE: You may need to drill holes in the support surface for the detent pins.*



**Pride**® **SilverStar**™   
**Lifts & Ramps**

Pride Mobility Products Ltd.  
Unit 106, Heyford Park Camp Road  
Upper Heyford, Oxfordshire OX25 5HA  
[www.pridemobility.com](http://www.pridemobility.com)  
[www.silverstarlifts.com](http://www.silverstarlifts.com)