

PRODUCT INSERT

HEIGHT AND DEPTH ADJUSTABLE COMFORT SEAT

NOTE: The following information is an addition to the information contained in the owner's manual provided with your Jazzy power chair. It explains the height and depth adjustments for the Comfort Seat. Please retain this information for your records and contact your authorized Pride Provider with any questions.



WARNING! The center of gravity of your power chair was factory set to a position that meets the needs of the demographic majority of users. Your authorized Pride Provider has evaluated your power chair and made any necessary adjustments to suit your specific requirements. Adjusting the seat position can cause instability. Do not change your seating configuration without first contacting Pride Mobility Products or your authorized Pride Provider.

Seat Position

You can adjust the seatback height and seat base depth.

To change the position:

1. Turn off the power to the controller.
2. Make sure the power chair is in drive mode.
3. Unplug the controller connector(s) from the power base.
4. Remove the seat from the power base.
5. Unfasten and pull back the seatback and/or seat base cover(s) to expose the adjustment hardware. See figure 1.
6. Loosen the adjustment hardware. See figure 1.
7. Slide the seat base and/or seatback to the desired position.
8. Tighten the adjustment hardware.
9. Reinstall the seatback and/or seat base cover(s).
10. Reinstall the seat.
11. Reconnect the controller to the power base.



WARNING! After any adjustments, repairs or service and before use, make sure that all attaching hardware is tightened securely to prevent injury and/or equipment damage.

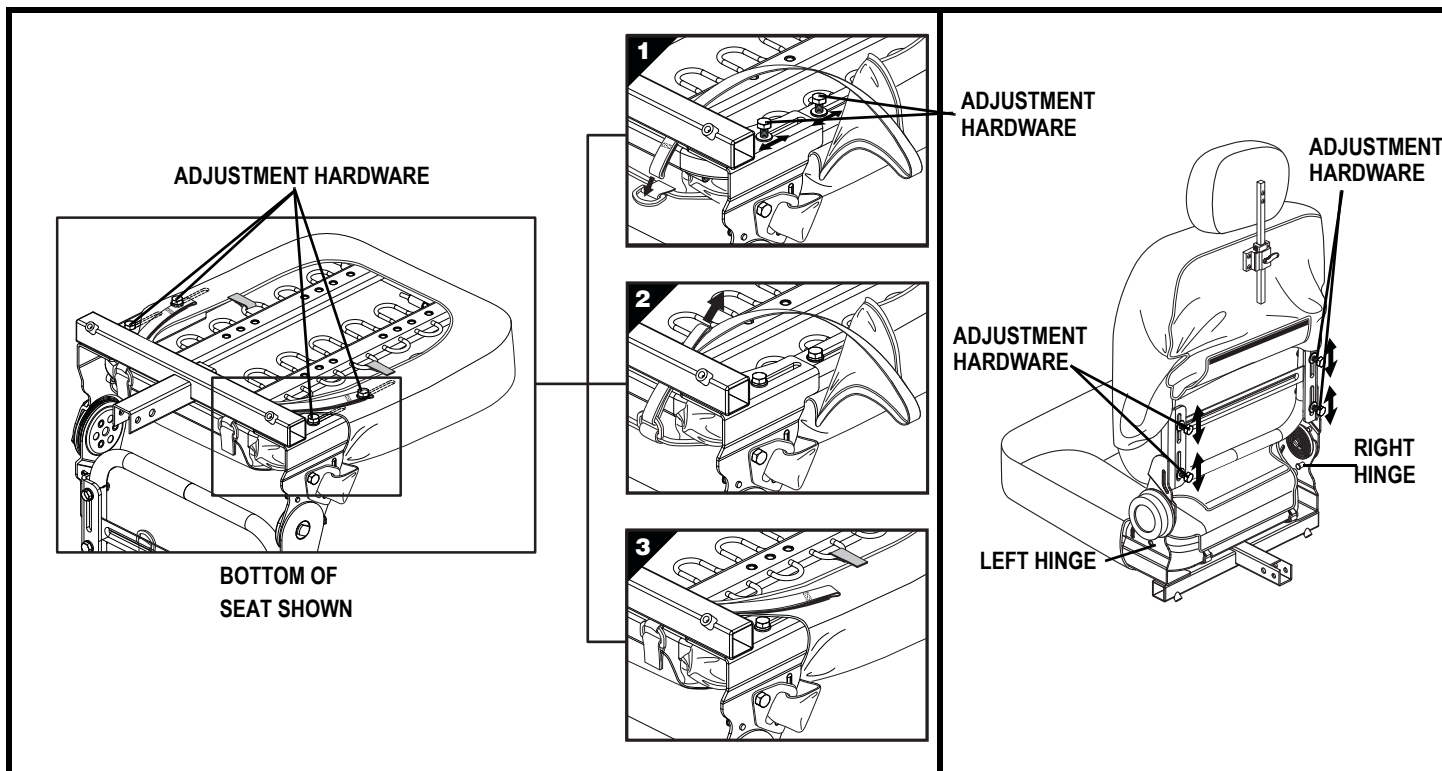


Figure 1. Seat Position Adjustment and Seat Cover Removal