

PRODUCT SPECIFICATIONS SHEET

Model: Jazzy Select Series

Document Information: INFINF B3151/Rev B/May 2020

Weight Capacity	300 lbs. (136 kg) 21 stone 6 lbs.
Maximum Speed ¹	Up to 4.3 mph (7 km/h) Up to 4 mph (6.4 km/h) in United Kingdom
Ground Clearance ²	0.75 in. (19 mm) at motor bracket
Turning Radius ²	Jazzy Select: 22.5 in. (571 mm) Jazzy Select 6 and Jazzy Select 6 with Power Seat: 21.5 in. (546 mm)
Overall Size ^{2, 6}	Jazzy Select: Length: 44 in. (1118 mm) Width: 23.75 in. (603 mm) Jazzy Select 6 and Jazzy Select 6 with Power Seat: Length: 42 in. (1067 mm) Width: 23.5 in. (597 mm)
Drive Wheels ²	10 in. (254 mm), solid
Caster Wheels ²	Jazzy Select: 5.75 in. (146 mm), solid, rear-mounted Jazzy Select 6 and Jazzy Select 6 with Power Seat: 5.75 in. (146 mm), solid, front- and rear-mounted
Anti-tip Wheels ²	Jazzy Select only: 5 in. (129 mm), solid, front-mounted
Suspension	Jazzy Select: Active-Trac® Jazzy Select 6 and Jazzy Select 6 with Power Seat: Active-Trac® with Mid-Wheel 6 Technology
Range ^{1, 4}	Jazzy Select: Up to 19.4 miles (31.2 km) Jazzy Select 6 and Jazzy Select 6 with Power Seat: 13 miles (21 km)
Component Weights ^{5, 2}	Jazzy Select Base: 94 lbs. (42.5 kg) Jazzy Select 6 Base: 97.5 lbs. (44.25 kg) Jazzy Select 6 with Power Seat: 114.5 lbs. (52 kg) Jazzy Select - Standard Seat (High Back) Weight: 51.5 lbs. (23.25 kg) Jazzy Select 6 and Jazzy Select 6 with Power Seat - Standard Seat Weight: 50.75 lbs. (23 kg) Batteries: 25.25 lbs. (11.5 kg) each
Drivetrain	Jazzy Select: Two motor, Mid-Wheel drive® Jazzy Select 6 and Jazzy Select 6 with Power Seat: Two motor, Mid-Wheel 6 drive®
Brakes	"Intelligent Braking" electronic regenerative, disc park brake
Batteries ³	Two 12-volt, sealed lead-acid, non-spillable deep-cycle U-1 batteries
Battery Charger	3.5 amp, off-board
Freewheel Operational Force	Less than 60 N
Drive Control Operational Force	Less than 5 N
Maximum Rated Slope	6° (10.5%)
Maximum Obstacle Climbing Ability (Ascending and Descending)	Jazzy Select: 1.5 in. (40 mm) Jazzy Select 6 and Jazzy Select 6 with Power Seat: 1.75 in. (45 mm)
Measured Sound Level (A-weighted)	Less than 65 dB

¹ Varies with base model, user weight, terrain type, battery amp hour rating (Ah), battery charge, battery condition, motors, controller type, tire type, and tire condition. This specification is subject to a variance of +10%, -5%.

² Due to manufacturing tolerances and continued product improvement, this specification can be subject to a variance of (+ or -) 3%.

³ AGM, Gel-Cell, or Hybrid Gel (Hybrid Gel is defined as Nano Silica Gel Electrolyte with High Quality Glass Mat Separators) type required. See III. "Batteries and Charging."

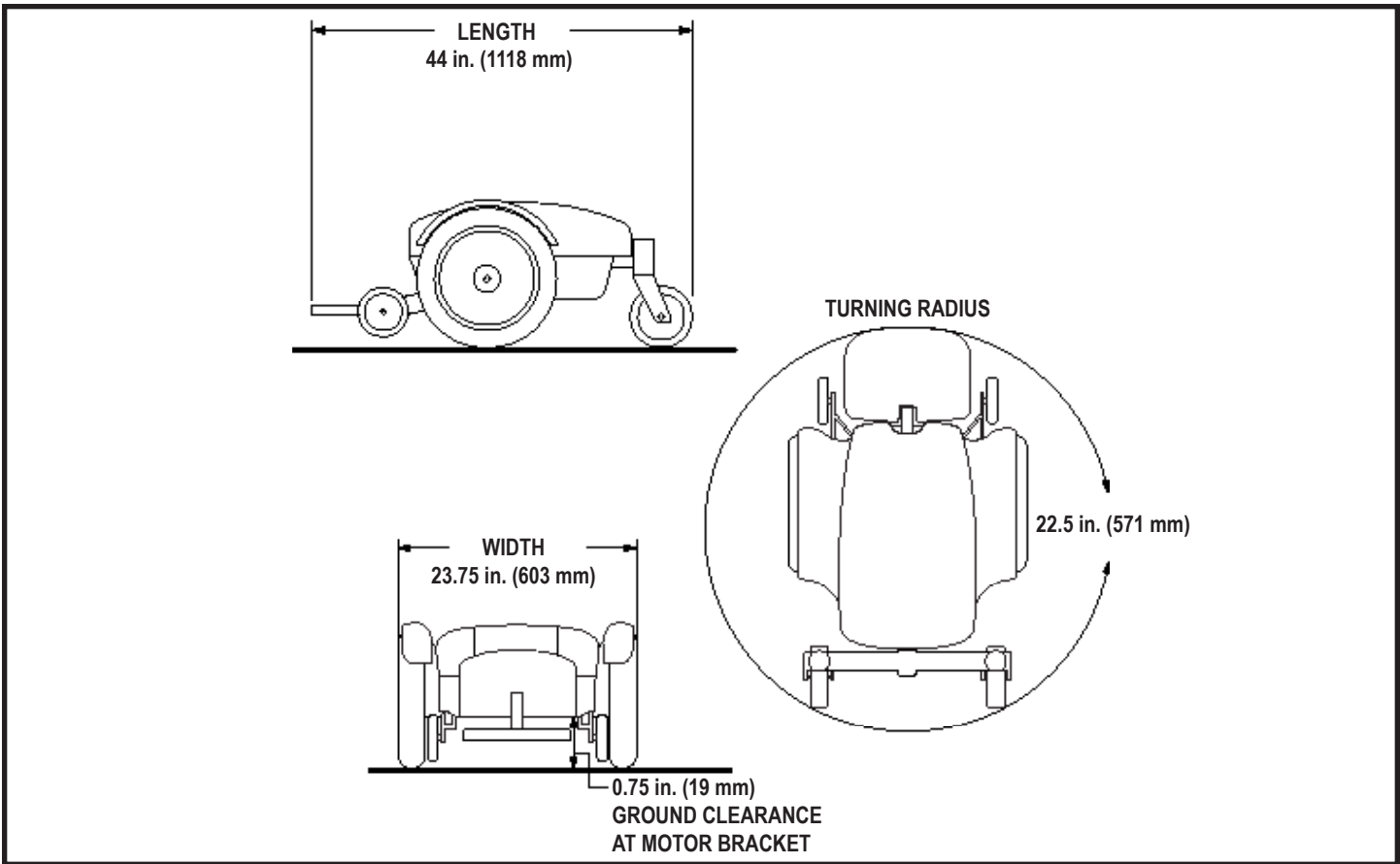
⁴ Tested in accordance with ANSI/RESNA, WC Vol. 2, Section 4 & ISO 7176-4 standards. Results derived from theoretical calculations based on battery specifications and drive system performance. Test conducted at maximum weight capacity.

⁵ Battery weight may vary based on manufacturer.

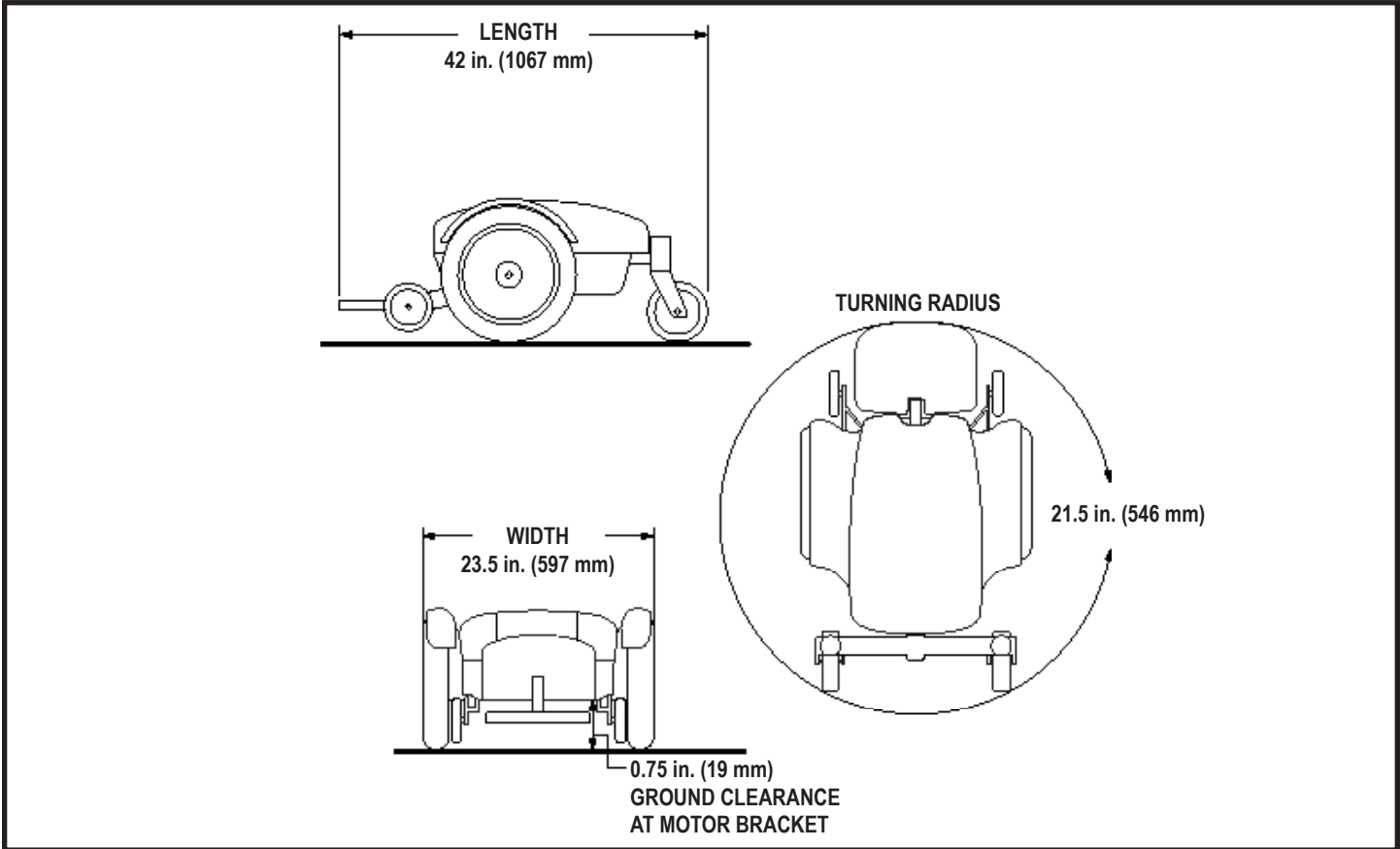
⁶ Dimensions listed are for power base only. Overall measurements will vary based on seating and accessory selections.

NOTE: This product conforms to all applicable ANSI/RESNA, ISO 7176 Series, AS/NZS 3695.2, and EN12184 standards. All specifications subject to change without notice.





Jazzy Select



Jazzy Select 6 and Jazzy Select 6 with Power Seat

