

PRODUCT SPECIFICATIONS SHEET

Model: Jazzy Air®

Document Information: INFINF B3432/Rev D/August 2016

Class of Use ⁷	B
Weight Capacity	300 lbs. (136 kg/21 stone 6 lbs.)
Maximum Speed ¹	Up to 4 mph (6.44 km/h) Up to 3.5 mph (5.6 km/h) with Jazzy Air feature elevated
Ground Clearance ²	2.42 in. (61.5 mm) at footplate bracket in lowest position 1 in. (25.4 mm) at motor bracket
Turning Radius ²	22.5 in. (571.5 mm)
Overall Size ^{2, 6}	Length: 42 in. (1065 mm) with footplate down, to the rear casters in the trailing position 38 in. (965 mm) with footplate up, from joystick to the rear casters in the trailing position Width: 23.375 in. (595 mm) at the drive wheels
Drive Wheels	10 in. (254 mm), flat free
Caster Wheels	6 in. (152.4 mm), flat free
Suspension	Active-Trac® with Mid-Wheel 6 Technology
Range ^{1, 4}	Up to 18.4 miles (29.64 km) with 40 Ah batteries Up to 15.3 miles (24.6 km) with U-1 batteries
Component Weights ⁵	Complete Assembly (without batteries): 181 lbs. (82 kg) Batteries: U-1: 24.5 lbs. (11.1 kg) each; 40 Ah: 32.2 lbs. (14.6 kg) each
Drivetrain	Two motor, mid-wheel-6 drive
Brakes	"Intelligent Braking" electronic regenerative, disc park brake
Batteries ³	Two 12 volt, deep-cycle U-1; 40 Ah
Battery Charger	3.5 amp, off-board
Freewheel Operational Force	Less than 60 N
Drive Control Operational Force	Less than 5 N
Maximum Rated Slope	6° (10.5%)
Maximum Obstacle Climbing Ability (Ascending and Descending)	2.2 in. (56 mm) 1.8 in. (46 mm) with Jazzy Air feature elevated
Measured Sound Level (A-weighted)	Less than 65 dB

- ¹ Varies with base model, user weight, terrain type, battery amp hour rating (Ah), battery charge, battery condition, motors, controller type, tire type, and tire condition. This specification is subject to a variance of +10%, -5%.
- ² Due to manufacturing tolerances and continued product improvement, this specification can be subject to a variance of (+ or -) 3%.
- ³ AGM or Gel-Cell type required. See "Batteries and Charging."
- ⁴ Tested in accordance with ANSI/RESNA, WC Vol. 2, Section 4 & ISO 7176-4 standards. Results derived from theoretical calculations based on battery specifications and drive system performance. Test conducted at maximum weight capacity.
- ⁵ Battery weight may vary based on manufacturer.
- ⁶ Dimensions listed are for power base only. Overall measurements will vary based on seating and accessory selections.
- ⁷ Using 40 Ah batteries.

NOTE: This product conforms to all applicable ANSI/RESNA, ISO 7176 Series, AS/NZS 3695.2, and EN12184 standards. All specifications subject to change without notice.

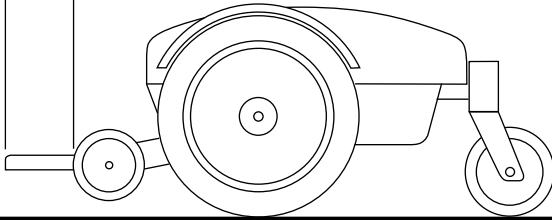


LENGTH (WITH FOOTPLATE DOWN, TO THE REAR
CASTERS IN THE TRAILING POSITION)

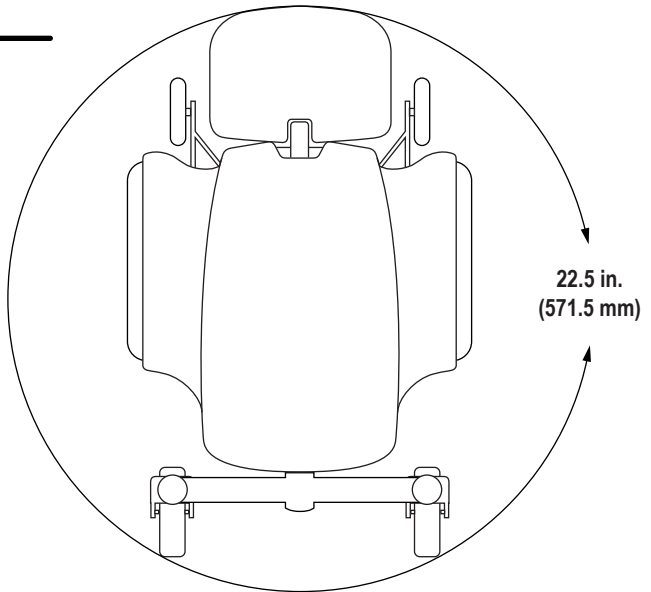
42 in. (1065 mm)

LENGTH (WITH FOOTPLATE UP, FROM JOYSTICK
TO THE REAR CASTERS IN THE TRAILING
POSITIONS)

38 in. (965 mm)

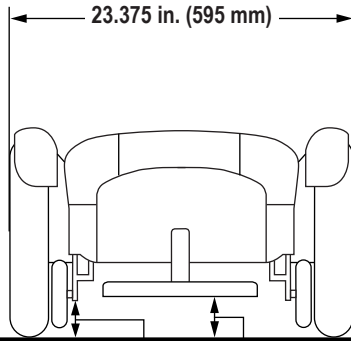


TURNING RADIUS



WIDTH AT DRIVE WHEELS

23.375 in. (595 mm)



1 in. (25.4 mm)
AT MOTOR BRACKET
GROUND CLEARANCE

2.42 in. (61.5 mm)
AT FOOTPLATE BRACKET
IN LOWEST POSITION
GROUND CLEARANCE

