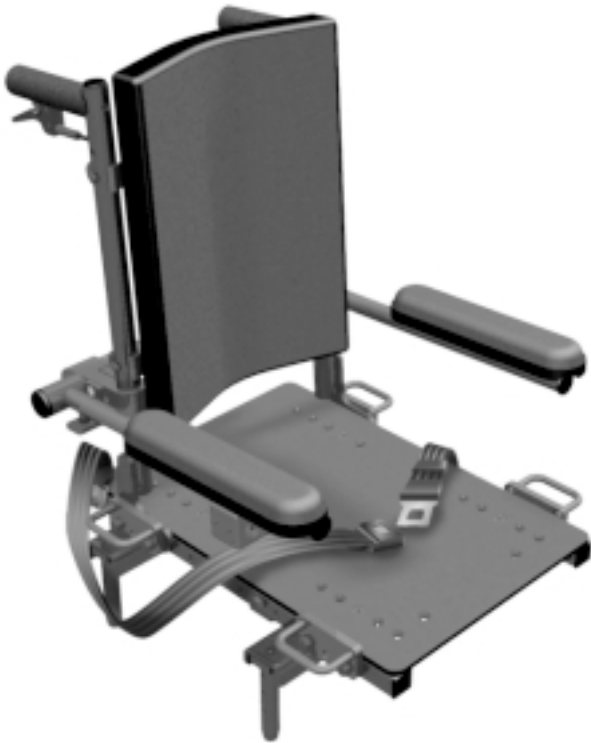


QUANTUM™

REHAB

LEAPING AHEAD WITH MORE ADVANCED REHAB PRODUCTS AND SERVICES

Pediatric Manual Tilt Seating System



Basic Operation Instructions

IMPORTANT NOTICE

This manual describes basic operation for the Pediatric Manual Tilt only and must be read in conjunction with all literature supplied with your power chair. Please read all manuals in their entirety before operating the Pediatric Manual Tilt or your power chair.

This manual is intended as a supplement to the in-service training provided by your authorized provider. If you have any questions or problems regarding the Pediatric Manual Tilt, please contact your authorized Pride provider.

PRODUCTS SAFETY LABELS

The symbols below are used throughout this manual and on the product to identify warnings, cautions, and notes. It is very important for you to read and understand the information that follows these symbols completely.



WARNING! Indicates a potentially hazardous situation which, if not avoided, could result in death or serious injury.



CAUTION! Indicates a potentially hazardous situation which, if not avoided, may result in minor or moderate injury and/or property damage.



NOTE: Indicates important things to remember when using your Pilot Controller.

TABLE OF CONTENTS

INTRODUCTION 4
The Pediatric Manual Tilt Seating System 5

SAFETY PRECAUTIONS 5

USING THE MANUAL TILT FEATURE 6

ADJUSTING THE PEDIATRIC MANUAL TILT 7
Flip-up Armrest Angle Adjustment 7
Flip-up Armrest Height Adjustment 8
Drop-in Armrest Height Adjustment 9

CARE AND MAINTENANCE 10

WARRANTY 10

My Authorized Provider Is:

Name: _____

Address: _____

Phone Number: _____

Quick Reference Information:

Serial Number: _____

Purchase Date: _____

INTRODUCTION

Welcome to Quantum Rehab, a Division of Pride Mobility Products Corporation. Quantum Rehab is dedicated to providing custom power chairs for users with advanced rehabilitation and mobility issues. Quantum Rehab also expands possibilities for enhanced healthcare attendant control over power chair functions to provide a secondary level of support for our customers.

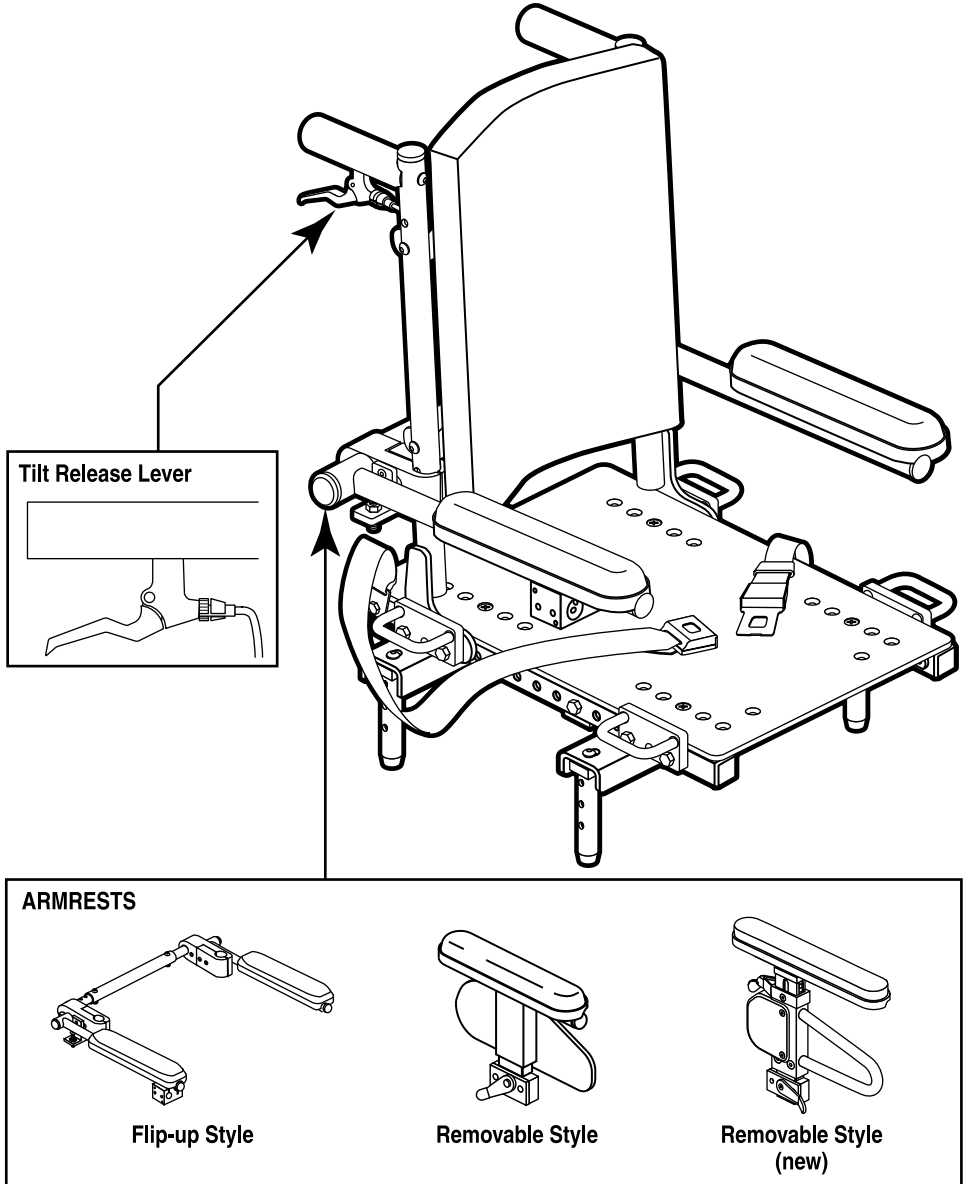


Figure 1. Pediatric Manual Tilt Components and Features

The Pediatric Manual Tilt Seating System

The Pediatric Manual Tilt is a unique seating system designed specifically for the Jazzy Power Chair. It is fully adjustable to meet the individual needs of the user, and it is mounted to a Jazzy power base to provide maximum maneuverability.

This manual explains the basic operation of the Pediatric Manual Tilt and provides information about it to the owner/operator. Please read this manual in its entirety before operating the Pediatric Manual Tilt .

Figure 1 provides information on Pediatric Manual Tilt components and features. Use this diagram to familiarize yourself with the function and location of each component before using the Pediatric Manual Tilt .

SAFETY PRECAUTIONS

Before operating the Pediatric Manual Tilt, please read and follow the safety precautions listed below. These precautions are produced for your benefit and will aid you in the safe operation of the Pediatric Manual Tilt.

- Turn off the power before you are seated in the Pediatric Manual Tilt.
- Always have assistance when you are being seated in the Pediatric Manual Tilt.
- Do not exceed the specifications stated in this manual.
- Follow all of the safety precautions detailed in your power chair owner's manual.
- The only parts of the Pediatric Manual Tilt that are user-adjustable are the armrests. *All other components are to be changed by your authorized provider only.*



WARNING! Your authorized Pride provider configured your Versa Tilt to suit your specific requirements. Do not change the original configuration without first contacting your authorized Pride provider.



NOTE: Please consult your authorized provider and/or rehabilitation specialist if you do not fully understand all of the instructions in this manual.

USING THE MANUAL TILT FEATURE

The seat tilt range is 0 - 45 degrees in almost infinite increments. See figure 2. Squeeze the tilt release lever to tilt the seat. The tilt release lever may be mounted onto one of several locations on the seat.



WARNING! When the seat is tilted 20 degrees or more, an inhibit switch will cut power to the motors of your power chair. Returning the seat to an angle of less than 20 degrees will restore power to the motors.

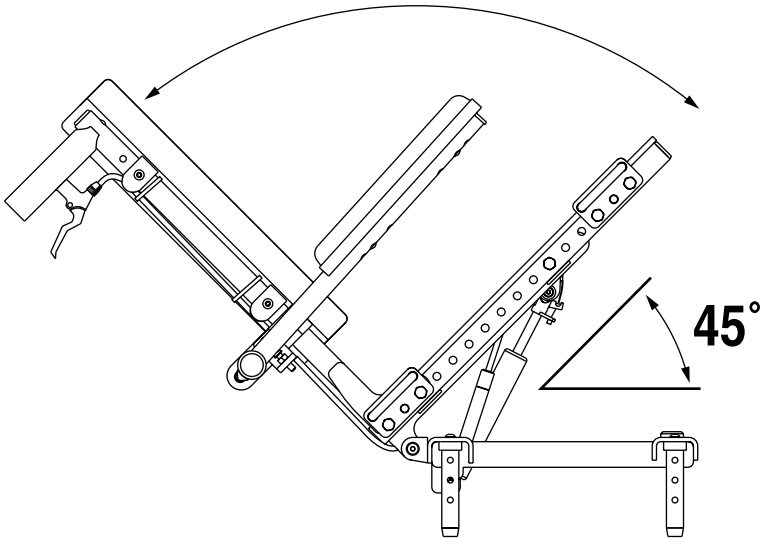


Figure 2. Tilt Angle

ADJUSTING THE PEDIATRIC MANUAL TILT

The only parts of the Pediatric Manual Tilt Seating System that are user-adjustable are the armrests. *All other components are to be changed by your authorized provider only.*

WARNING! Your authorized Pride provider configured your Pediatric Manual Tilt Seating System to suit your specific requirements. Do not change the original configuration without first contacting your authorized provider.

Flip-up Armrest Angle Adjustment

Required Tools:

- 3/16-in. hex key
- 1/2-in. open-ended wrench

1. Move the armrests up and out of the way. See figure 3.
2. Use a 1/2-in. open-ended wrench to loosen the jam nut located on the armrest angle support bracket.
3. Use a 3/16-in. hex key to loosen or tighten the button head screw located on the armrest angle support bracket. Loosening the button head screw will increase the armrest angle; tightening the button head screw will decrease the armrest angle.
4. When the screw has been positioned to the proper angle, tighten the jam nut.
5. Move the armrests down to position.

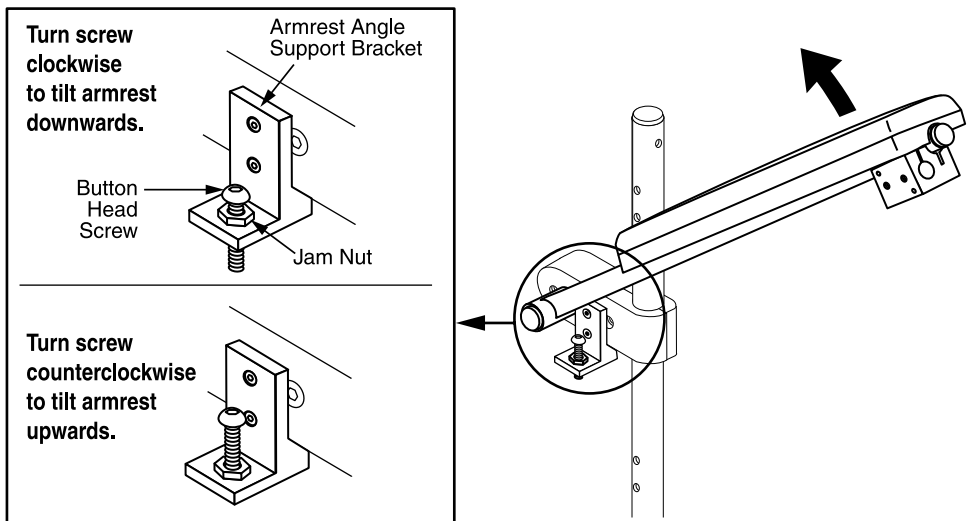


Figure 3. Flip-up Armrest Angle Adjustment (right side shown)

Flip-up Armrest Height Adjustment

Required Tools:

- 3/16-in. hex key
- 1/2-in. open-ended wrench
- 5/32-in. hex key
- 5/16-in. hex key

1. Move the armrests up and out of the way. See figure 4.
2. Use a 1/2-in. open-ended wrench to loosen the jam nut located on the armrest angle support bracket. See figure 3.
3. Use a 3/16-in. hex key to remove the button head screw and jam nut from the armrest angle support bracket.
4. Use a 5/32-in. hex key to remove the two (2) flat head screws from the armrest angle support bracket, then remove the bracket. See figures 3 and 4.
5. Use a 5/16-in. hex key to remove the socket head cap screw from the armrest clamp.
6. Raise or lower the armrests to the desired height.
7. Reinstall the socket head cap screw to the armrest clamp.
8. Replace the armrest angle support bracket, and then reinstall and tighten the two (2) flat head screws.
9. Reinstall and tighten the button head screw to the armrest angle support bracket, then tighten the jam nut with a 1/2-in. open-ended wrench.
10. Move the armrests down to position.

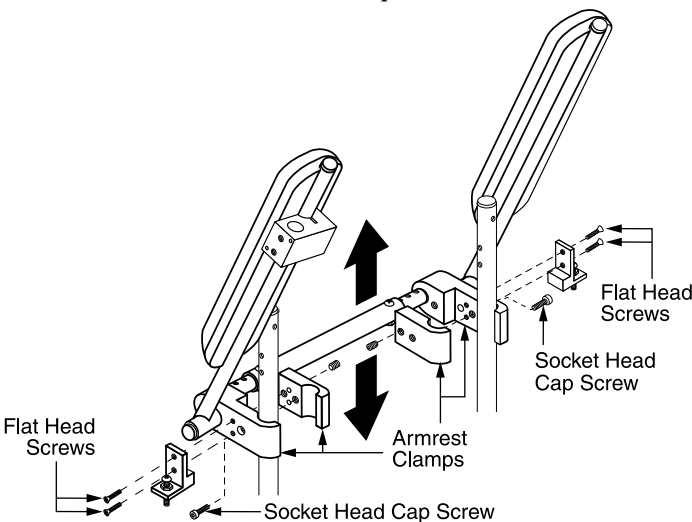


Figure 4. Flip-up Armrest Height Adjustment

Pediatric Drop-in Armrest Height Adjustment

The Pediatric Drop-in Armrest is designed so that it can be adjusted and removed easily. The top height adjustment range is 3-in. in 1/2-in. increments. This range is measured from the top of the seat rail to the top of the arm pad. The total height adjustment range is 8-in. to 11-in.

To adjust the height:

1. Twist the release lever to either side. See figure 5.
2. Slide the armrest up or down.
3. Return the release lever the vertical position and lock into place. If necessary, move the armrest up or down to lock it into place.

To remove the armrest assembly:

1. Rotate the armrest lock lever forward. See figure 6.
2. Lift up the armrest assembly.

To install the armrest assembly:

1. Place the armrest assembly in the armrest lock. See figure 6.
2. Rotate the armrest lock lever rearward.

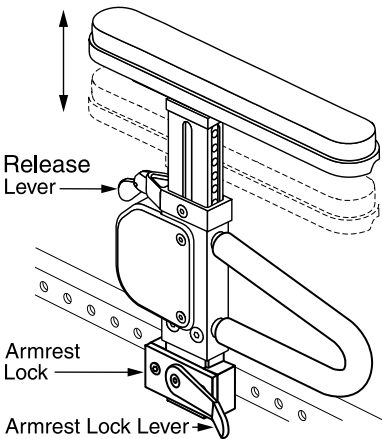


Figure 5. Pediatric Drop-in Armrest Height Adjustment (right side shown)

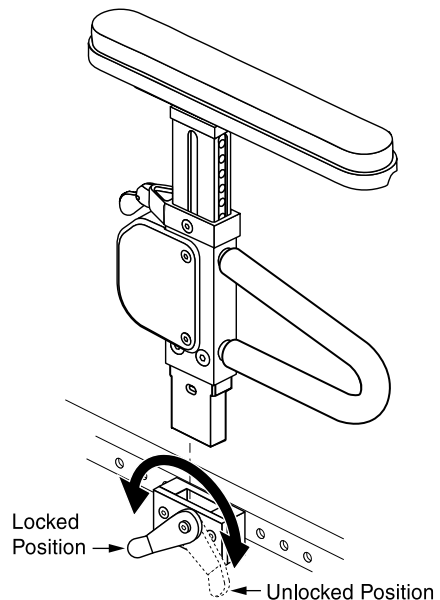


Figure 6. Pediatric Drop-in Armrest Removal/Assembly (right side shown)

CARE AND MAINTENANCE

- Avoid knocking or bumping the controller.
- Keep the controller clean.
- Check all electrical connections to ensure that they are all tight, secured properly, and not corroded.
- Visually inspect controller harnesses. Make sure that they are not frayed, cut, or have any wires exposed.
- Make sure all hardware is secured properly, but do not overtighten any hardware or electrical connection.



CAUTION! If your Pediatric Manual Tilt was configured by an authorized Pride provider or service center, please consult your healthcare professional before changing seat position or making any other adjustment. Some of these adjustments may degrade the performance and safety of your Pediatric Manual Tilt and/or power chair.

WARRANTY INFORMATION

Three-Year Limited Warranty

For three (3) years from the date of purchase, Pride will repair or replace, at our option, to the original purchaser, free of charge, any of the following parts found upon examination by an authorized representative of Pride to be defective in material and/or workmanship:

- Structural frame components

Two-Year Limited Warranty

For two (2) years from the date of purchase, Pride will repair or replace, at our option, to the original purchaser, free of charge, any of the following parts found upon examination by an authorized representative of Pride to be defective in material and/or workmanship:

- Electronics (drive lock out)

Warranty service can be performed by an authorized provider or by Pride. Do not return faulty parts to Pride without prior consent. All transportation costs and shipping damage incurred while submitting parts for repair or replacement are the responsibility of the original purchaser.

Warranty Exclusions:

- Upholstery and seating
- Repairs and/or modifications made to any part without specific consent from Pride
- Circumstances beyond the control of Pride
- Labor, service calls, shipping, and other charges incurred for repair of the product, unless specifically authorized by Pride
- Damage caused by:
 - Battery fluid spillage or leakage
 - Abuse, misuse, accident, or negligence
 - Improper operation, maintenance, or storage
 - Commercial use or use other than normal

There is no other express warranty.

Implied warranties, including those of merchantability and fitness for a particular purpose, are limited to one year from the date of purchase and to the extent permitted by law. Any and all implied warranties are excluded. This is the exclusive remedy. Liabilities for consequential damages under any and all warranties are excluded.

Some states do not allow limitations on how long an implied warranty lasts or do not allow the exclusion of limitation of incidental or consequential damages, so the above limitation or exclusion may not apply to you.

This warranty gives you specific rights, and you may also have other rights which vary from state to state.

Please fill out and return the product registration card to Pride Mobility Products Corporation. This will aid Pride in providing the best possible technical and customer service.



NOTE: If you ever lose or misplace your product registration card or this manual, call or write to us and we will be glad to send you a new one immediately.



QUANTUM™

REHAB

LEAPING AHEAD WITH MORE ADVANCED REHAB PRODUCTS AND SERVICES

Exeter, PA

***Customer Care Department:
1-800-424-8205***

***Visit the Rehab Zone at:
www.quantumrehab.com***

Pride
Mobility Products Corp.