

# **QUANTUM™**

## **REHAB**

LEAPING AHEAD WITH MORE ADVANCED REHAB PRODUCTS AND SERVICES

# **Versa Seat Seating System**



***Basic Operation Instructions***

## IMPORTANT NOTICE

This manual describes basic operation for the Versa Seat only and must be read in conjunction with all literature supplied with your power chair. Please read all manuals in their entirety before operating the Versa Seat or your power chair.

This manual is intended as a supplement to the in-service training provided by your authorized provider. If you have any questions or problems regarding the Versa Seat, please contact your authorized provider.

## PRODUCTS SAFETY LABELS

The symbols below are used throughout this manual and on the product to identify warnings, cautions, and notes. It is very important for you to read and understand the information that follows these symbols completely.



**WARNING!** Indicates a potentially hazardous situation which, if not avoided, could result in death or serious injury.



**CAUTION!** Indicates a potentially hazardous situation which, if not avoided, may result in minor or moderate injury and/or property damage.



**NOTE:** Indicates important things to remember when using your Pilot Controller.

# TABLE OF CONTENTS

<b>INTRODUCTION</b> .....	4
The Versa Seat Seating System .....	4
<b>SAFETY PRECAUTIONS</b> .....	4
<b>ADJUSTING THE ARMRESTS</b> .....	6
Flip-up Armrest Angle Adjustment .....	6
Flip-up Armrest Height Adjustment .....	7
Removable Armrest Height Adjustment .....	8
Removable Armrest Position Adjustment .....	9
Adult Drop-in Armrest Height Adjustment .....	10
Pediatric Drop-in Armrest Height Adjustment .....	11
<b>CARE AND MAINTENANCE</b> .....	12
<b>WARRANTY</b> .....	12

## INTRODUCTION

Welcome to Quantum Rehab, a Division of Pride Mobility Products Corporation. Quantum Rehab is dedicated to providing custom power chairs for users with advanced rehabilitation and mobility issues. Quantum Rehab also expands possibilities for enhanced healthcare attendant control over power chair functions to provide a secondary level of support for our customers.

### The Versa Seat Seating System

The Versa Seat is a unique seating system designed specifically for the Jazzy Power Chair. It is fully adjustable to meet the individual needs of the user, and it is mounted to a Jazzy power base to provide maximum maneuverability.

This manual provides information about the Versa Seat to the owner/operator. Please read this manual in its entirety before operating the Versa Seat.

Figure 1 provides information on Versa Seat components and features. Use this diagram to familiarize yourself with the function and location of each component before using the Versa Seat.

## SAFETY PRECAUTIONS

Before operating the Versa Seat, please read and follow the safety precautions listed below. These precautions are produced for your benefit and will aid you in the safe operation of the Versa Seat.

- Turn off the power before you are seated in the Versa Seat.
- Always have assistance when you are being seated in the Versa Seat.
- Do not exceed the specifications stated in this manual.
- Follow all of the safety precautions detailed in your power chair owner's manual.
- The only parts of the Versa Seat that are user-adjustable are the armrests.

*All other components are to be changed by your authorized provider only.*



**WARNING!** Your authorized Pride provider configured your Versa Seat to suit your specific requirements. Do not change the original configuration without first contacting your authorized Pride provider.



**NOTE:** Please consult your authorized provider and/or rehabilitation specialist if you do not fully understand all of the instructions in this manual.

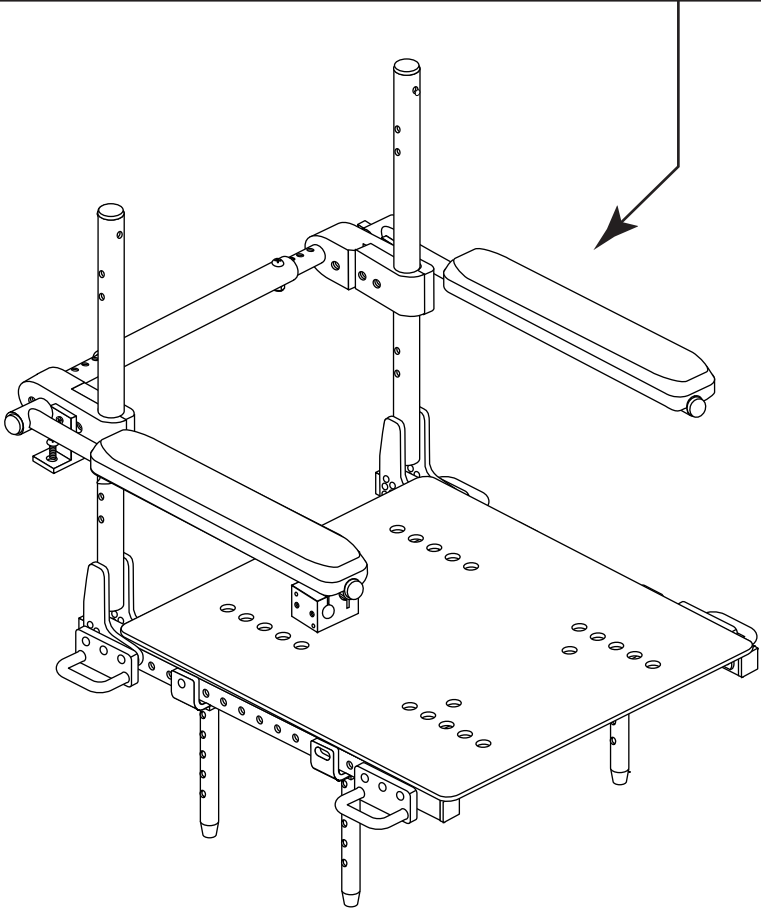
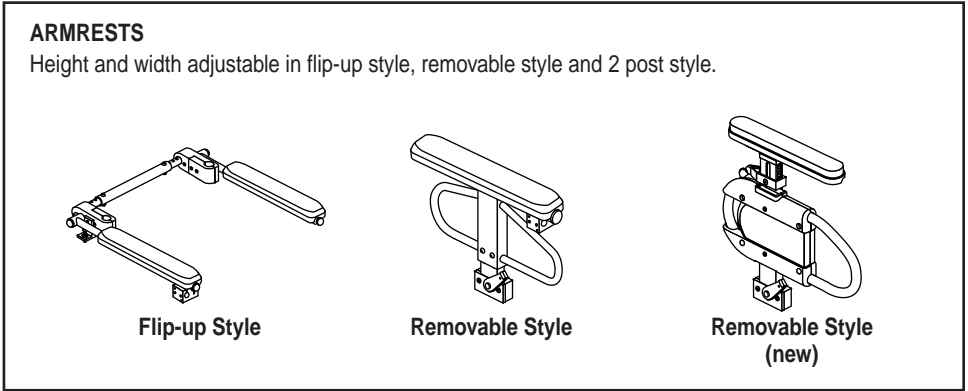


Figure 1. Versa Seat Components and Features

## ADJUSTING THE ARMRESTS

### Flip-up Armrest Angle Adjustment

#### Required Tools:

- 3/16-in. hex key
- 1/2-in. open-ended wrench

1. Move the armrests up and out of the way. See figure 2.
2. Use a 1/2-in. open-ended wrench to loosen the jam nut located on the armrest angle support bracket.
3. Use a 3/16-in. hex key to loosen or tighten the button head screw located on the armrest angle support bracket. Loosening the button head screw will increase the armrest angle; tightening the button head screw will decrease the armrest angle.
4. When the screw has been positioned to the proper angle, tighten the jam nut.
5. Move the armrests down to position.

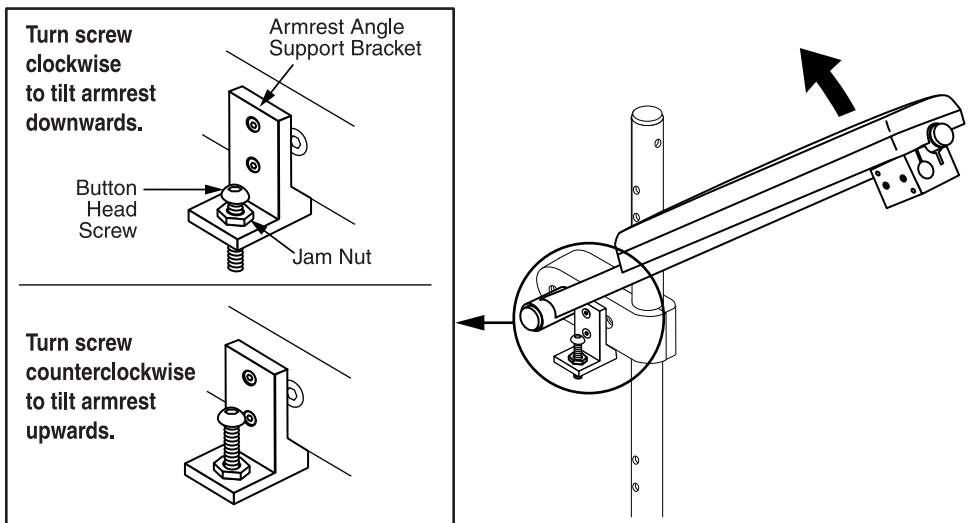


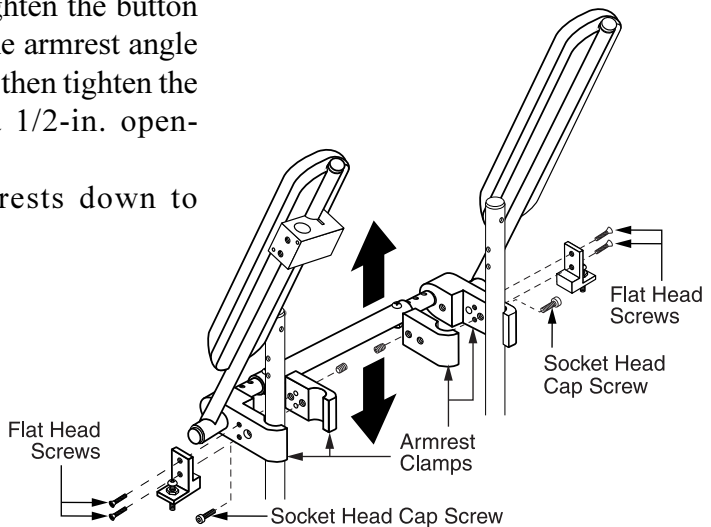
Figure 2. Flip-up Armrest Angle Adjustment

## Flip-up Armrest Height Adjustment

### Required Tools:

- 3/16-in. hex key
- 1/2-in. open-ended wrench
- 5/32-in. hex key
- 5/16-in. hex key

1. Move the armrests up and out of the way. See figure 3.
2. Use a 1/2-in. open-ended wrench to loosen the jam nut located on the armrest angle support bracket. See figure 2.
3. Use a 3/16-in. hex key to remove the button head screw and jam nut from the armrest angle support bracket.
4. Use a 5/32-in. hex key to remove the two (2) flat head screws from the armrest angle support bracket, then remove the bracket. See figures 6 and 7.
5. Use a 5/16-in. hex key to remove the shoulder bolt from the armrest clamp.
6. Raise or lower the armrests to the desired height.
7. Reinstall the shoulder bolt to the armrest clamp.
8. Replace the armrest angle support bracket, and then reinstall and tighten the two (2) flat head screws.
9. Reinstall and tighten the button head screw to the armrest angle support bracket, then tighten the jam nut with a 1/2-in. open-ended wrench.
10. Move the armrests down to position.



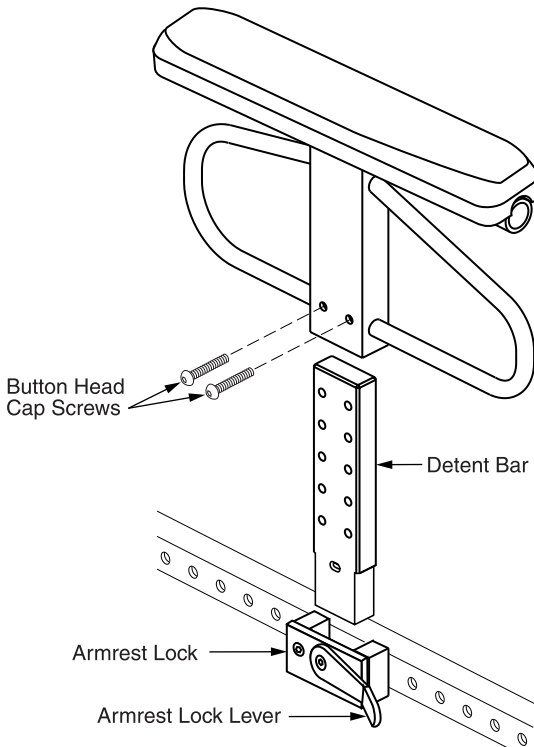
**Figure 3. Flip-up Armrest Height Adjustment**

## Removable Armrest Height Adjustment

### Required Tools:

- 5/32-in. hex key

1. Rotate the armrest lock lever rearward and remove the armrest from the armrest lock. See figure 4.
2. Use a 5/32-in. hex key to remove the two (2) button head cap screws from the side of the armrest.
3. Slide the armrest up or down the detent bar to the desired height.
4. Reinstall the button head cap screws to the side of the armrest.
5. If necessary, repeat for the other armrest.



**Figure 4. Removable Armrest Height Adjustment**

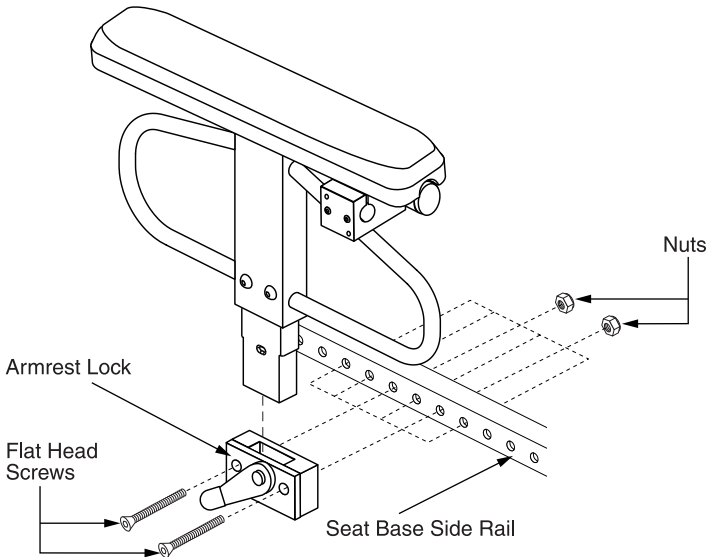


## Removable Armrest Position Adjustment

### Required Tools:

- 3/16-in. hex key
- 1/2-in. open-end wrench

1. Rotate the armrest lock lever rearward and remove the armrest from the armrest lock. See figure 4.
2. Use a 3/16-in. hex key and the 1/2-in. open-end wrench to remove the flat head screws and nuts that fasten the armrest lock to the seat base side rail. See figure 5.
3. Move the armrest lock forward or rearward along the seat base side rail.
4. Reinstall the armrest lock.
5. Reinstall the armrest.
6. Repeat for the other side if necessary.



**Figure 5. Removable Armrest Position Adjustment**

## Adult Drop-in Armrest Height Adjustment

The Adult Drop-in Armrest is designed so that it can be adjusted and removed easily. The top and the bottom of the Drop-in Armrests have height adjustment capabilities. The top height adjustment range is 3-in. in 1/2-in increments. The bottom height adjustment range is 3-in. in 1-in. increments. The total height adjustment range is 6-in. (from 11-in. to 17-in.). This range is measured from the top of the seat rail to the top of the arm pad.

### Required Tools:

- 3/32-in hex key
- 5/32-in hex key

To adjust the top height:

1. Twist the release lever inward. See figure 6.
2. Slide the armrest up or down.
3. Return the release lever to the vertical position and the armrest will lock into place.

To adjust the bottom height:

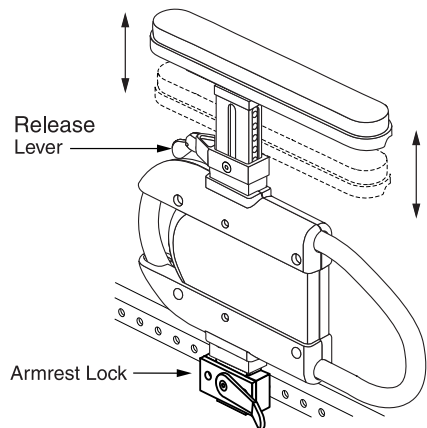
1. Use the 3/32-in hex key to remove the clothing guard. See figure 7.
2. Use the 5/32-in. hex key to remove the two flat head screws from the detent bar.
3. Slide the armrest up or down.
4. Line up the holes in the armrest.
5. Use the 5/32-in. hex key to reinstall the two flat head screws.
6. Use the 3/32-in hex key to reinstall the clothing guard.

To remove the armrest assembly:

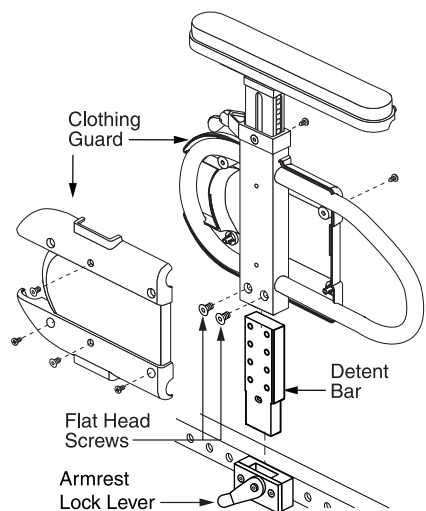
1. Rotate the armrest lock lever rearward. See figure 6.
2. Lift up the armrest.

To install the armrest:

1. Place the armrest assembly into the armrest lock. See figure 7.
2. Rotate the armrest lock lever forward.



**Figure 6. Adult Drop-in Armrest Height Adjustment**



**Figure 7. Adult Drop-in Armrest Assembly**

## Pediatric Drop-in Armrest Height Adjustment

The Pediatric Drop-in Armrest is designed so that it can be adjusted and removed easily. The top height adjustment range is 3-in. in 1/2-in. increments. This range is measured from the top of the seat rail to the top of the arm pad. The total height adjustment range is 8-in. to 11-in.

To adjust the armrest height:

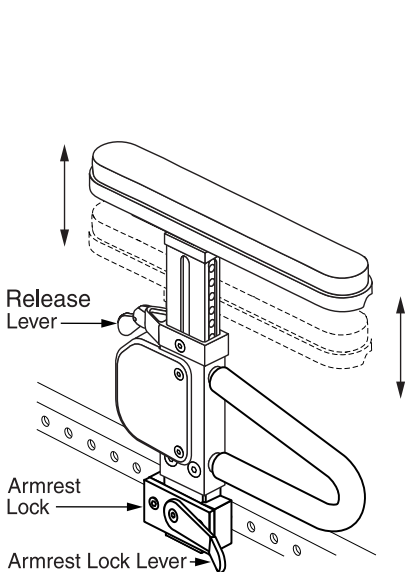
1. Twist the release lever inward. See figure 8.
2. Slide the armrest up or down.
3. Return the release lever the vertical position and lock into place. If necessary, move the armrest up or down to lock it into place.

To remove the armrest assembly:

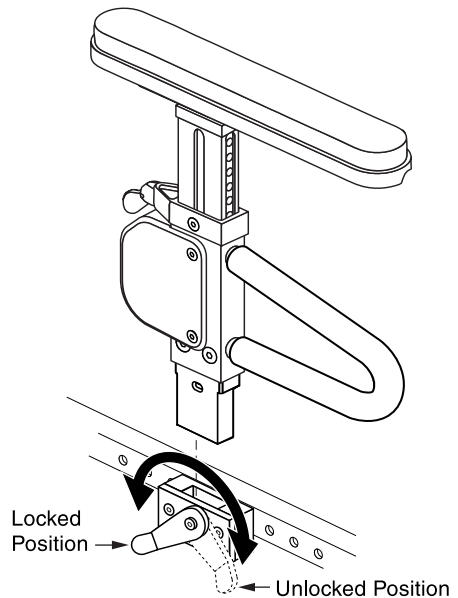
1. Rotate the armrest lock lever rearward. See figure 9.
2. Lift up the armrest assembly.

To install the armrest assembly:

1. Place the armrest assembly in the armrest lock. See figure 9.
2. Rotate the armrest lock lever forward.



**Figure 8. Pediatric Drop-in Armrest Height Adjustment**



**Figure 9. Pediatric Drop-in Armrest Height Adjustment**

## CARE AND MAINTENANCE

- Make sure all hardware is secured properly, but do not overtighten any hardware.



**CAUTION! If your Versa Seat was configured by an authorized Pride provider or service center, please consult your healthcare professional before changing seat position or making any other adjustment. Some of these adjustments may degrade the performance and safety of your Versa Seat and/or power chair.**

## WARRANTY INFORMATION

### Three-Year Limited Warranty

For three (3) years from the date of purchase, Pride will repair or replace, at our option, to the original purchaser, free of charge, any of the following parts found upon examination by an authorized representative of Pride to be defective in material and/or workmanship:

- Structural frame components

Warranty service can be performed by an authorized provider or by Pride. Do not return faulty parts to Pride without prior consent. All transportation costs and shipping damage incurred while submitting parts for repair or replacement are the responsibility of the original purchaser.

### Warranty Exclusions:

- Upholstery and seating
- Repairs and/or modifications made to any part without specific consent from Pride
- Circumstances beyond the control of Pride
- Labor, service calls, shipping, and other charges incurred for repair of the product, unless specifically authorized by Pride
- Damage caused by:
  - Battery fluid spillage or leakage
  - Abuse, misuse, accident, or negligence
  - Improper operation, maintenance, or storage
  - Commercial use or use other than normal

There is no other express warranty.

Implied warranties, including those of merchantability and fitness for a particular purpose, are limited to one year from the date of purchase and to the extent permitted by law. Any and all implied warranties are excluded. This is the exclusive remedy. Liabilities for consequential damages under any and all warranties are excluded.

Some states do not allow limitations on how long an implied warranty lasts or do not allow the exclusion of limitation of incidental or consequential damages, so the above limitation or exclusion may not apply to you. This warranty gives you specific rights, and you may also have other rights which vary from state to state.

Please fill out and return the warranty card to Pride Mobility Products Corporation. This will aid Pride in providing the best possible technical and customer service.

*NOTE: If you ever lose or misplace your product registration card or this manual, contact us and we will be glad to send you a new one immediately.*

**My Authorized Provider Is:**

Name: \_\_\_\_\_

Address: \_\_\_\_\_

Phone Number: \_\_\_\_\_

**Quick Reference Information:**

Serial Number: \_\_\_\_\_

Purchase Date: \_\_\_\_\_





# **QUANTUM™** **REHAB**

LEAPING AHEAD WITH MORE ADVANCED REHAB PRODUCTS AND SERVICES

***Exeter, PA***

***Customer Care Department:  
1-800-424-8205***

***Visit the Rehab Zone at:  
[www.quantumrehab.com](http://www.quantumrehab.com)***

***Pride***  
***Mobility Products Corp.***