

Versa Seat with Manual Recline

Owner's Manual



ATTENTION:
Read everything in
this manual before
operating your Versa
Seat with Manual
Recline

Pride
Mobility Products Corp.

Exeter, PA
St. Catharines, ON

1-800-800-8586

www.pridemobility.com

SAFETY GUIDELINES

Read and follow all of the instructions in this manual before you attempt to operate your Versa Seat with Manual Recline for the first time. If you are unable to understand any of this information or require additional assistance for set-up, contact your local authorized Pride Provider or call the Pride Technical Service Department at 1-800-800-8586.

The following symbols will be used throughout this owner's manual to identify warnings and cautions. It is very important for you to read and understand them completely.



WARNING! Failure to heed the warnings in this owner's manual may result in personal injury.



CAUTION! Failure to heed the cautions in this owner's manual may result in damage to your Versa Seat with Manual Recline and/or mobility vehicle.

TABLE OF CONTENTS

I. INTRODUCTION	4
II. MAIN COMPONENTS	6
III. INSTALLATION	7
IV. ADJUSTMENT	8
V. MANUAL RECLINE	19
VI. WARRANTY	21

I. INTRODUCTION

Welcome to Pride Mobility Products Corporation (Pride). Congratulations on the purchase of your new Versa Seat with Manual Recline. The Versa Seat with Manual Recline design combines the most advanced state-of-the-art components with modern, attractive styling. We are certain that the design features and trouble-free operation of your new Versa Seat with Manual Recline will add convenience to your daily living.

At Pride, your safety is important to us. **Please read and follow all of the instructions in this manual before you attempt to operate your Versa Seat with Manual Recline for the first time.** These instructions were produced for your benefit. Your understanding of these instructions is essential for the safe operation of your new Versa Seat with Manual Recline.

Pride is not liable for damage to property or personal injury arising out of unsafe use of a Versa Seat with Manual Recline. Pride is also not liable for any property damage or personal injury arising out of the failure of any person and/or user to follow the instructions and recommendations set forth in this manual or any other instructions or recommendations contained in other related literature issued by Pride or contained on the Versa Seat with Manual Recline itself.

This owner's manual is compiled from the latest specifications and product information available at the time of publication. We reserve the right to make changes as they become necessary. Any changes to our products may cause slight variations between the illustrations and explanations in this manual and the product you have purchased.

If you experience any problems with your Versa Seat with Manual Recline that you are unable to resolve, or if you do not feel capable of safely following any of the instructions and/or recommendations contained in this manual, please contact your authorized Pride provider for assistance.

Once you understand how to operate and take care of your Versa Seat with Manual Recline, we are certain that it will give you years of trouble-free service and enjoyment.

Information Exchange

We want to hear your questions, comments, and suggestions regarding this manual. We would also like to hear about the safety and reliability of your new Versa Seat with Manual Recline, and about the service you received from your authorized Pride provider.

Please notify us of any change of address, so we can keep you apprised of important information regarding safety, new products, and new options that can increase your ability to use and enjoy your Versa Seat with Manual Recline. Please feel free to write us at the address below:

Pride Mobility Products Corporation
Attn: Technical Service Department
182 Susquehanna Avenue
Exeter, PA 18643-2694

1-800-800-8586

I . I N T R O D U C T I O N

Pride Owners Club

As a Pride product owner, you are invited to register your product's warranty and enroll in the Pride Owners Club. You may do so by filling out and returning your enclosed registration card or by visiting Pride's web site at www.pridemobility.com. As a registered member, each time you visit our site, you will have access to the most interactive and honest educational venue available today for people with mobility needs, their families, and friends.

From our home page, click on the button that reads "Owners Club" to enter a page dedicated to current and potential Pride product owners. You will gain access to interviews, stories, recreation ideas, daily living tips, product and funding information, and interactive message boards. Message boards invite you to speak with other Pride customers as well as Pride representatives who are available to assist you with any questions or concerns you may have. You will receive a free gift simply for registering with the Pride Owners Club.

My Authorized Pride Provider is:

Name: _____

Address: _____

Phone Number: _____

Quick Reference Information about your Versa Seat with Manual Recline:

Serial Number: _____

Purchase Date: _____

NOTE: If you ever lose or misplace your warranty card or this owner's manual, call or write to us and we will be glad to send you a new one immediately.

II. MAIN COMPONENTS

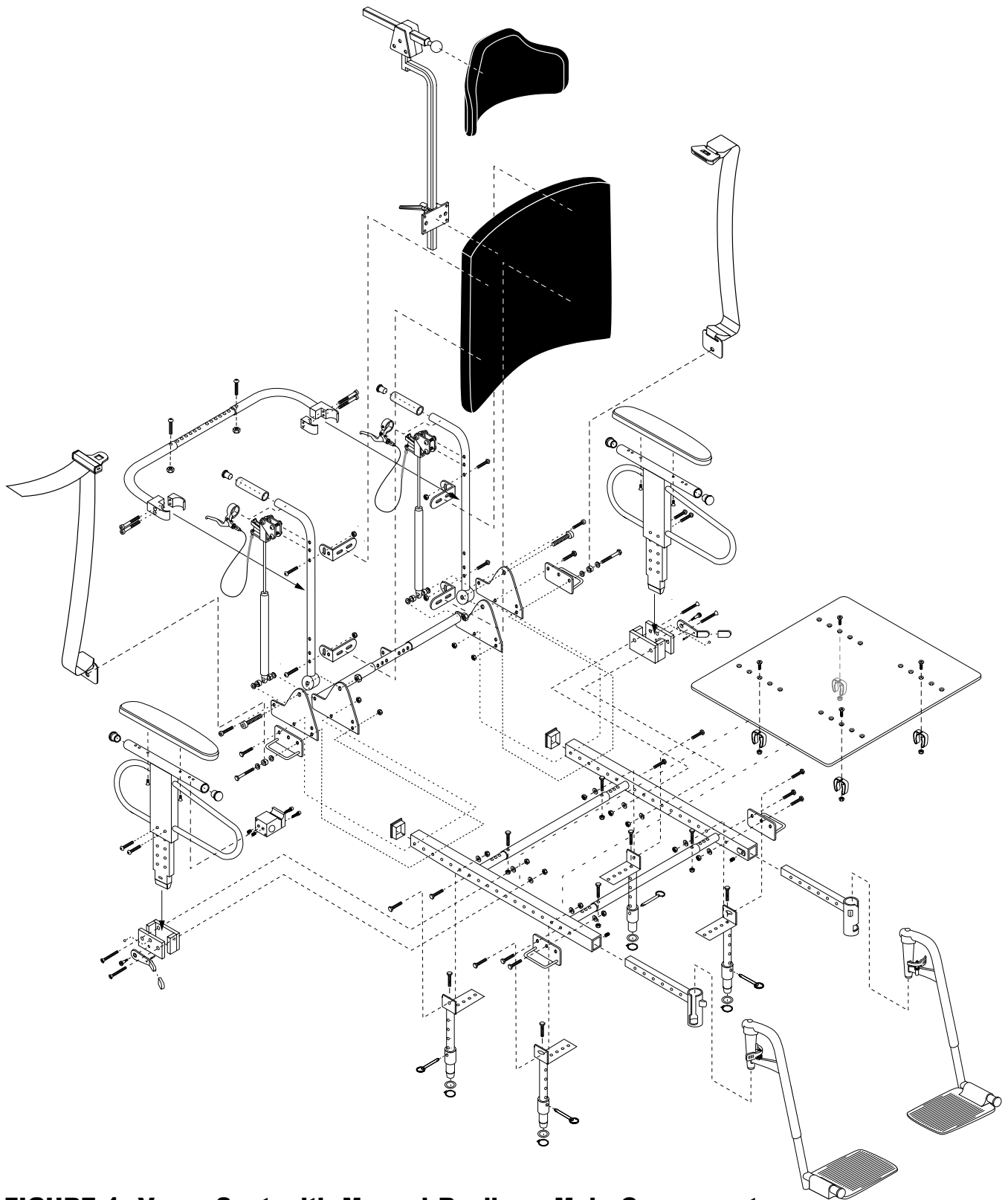


FIGURE 1. Versa Seat with Manual Recline - Main Components

III. INSTALLATION

INSTALLING VERSA SEAT WITH MANUAL RECLINE

Installing the Versa Seat with Manual Recline onto the Power Chair base is best accomplished with two people.

1. Position the Versa Seat with Manual Recline over the Power Chair base. This is best accomplished by having a person on either side of the Power Chair base, holding the Versa Seat with Manual Recline by its tie-down mounts. See figure 2.
2. Insert each of the four seat towers into their respective seat tower receivers, beginning with the rear seat towers. See figure 3. Then, position the two front seat towers into their seat tower receivers. See figure 4.
3. Install the four seat tower (ball detent) pins. See figure 5.
4. Make your adjustments to the seat. (See IV. "Adjustment.")

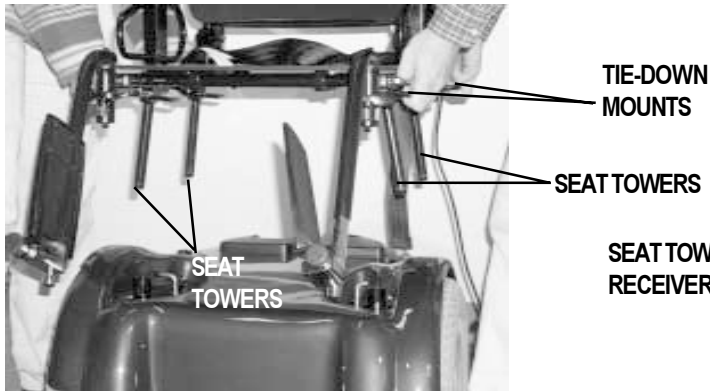


FIGURE 2. Position Seat over Base

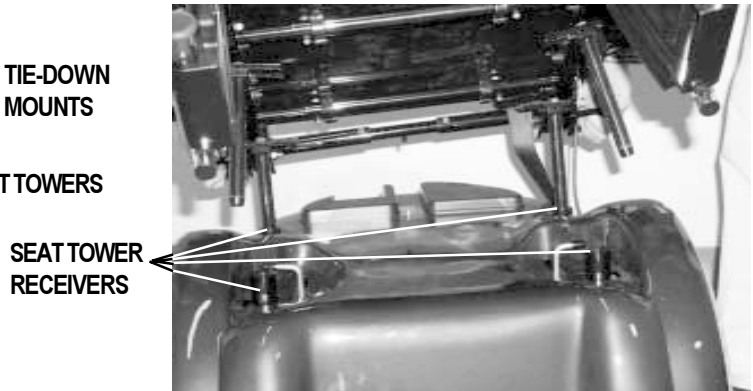


FIGURE 3. Insert Rear Seat Towers into Receivers



FIGURE 4. Insert Front Seat Towers into Receivers



FIGURE 5. Install Seat Tower (Ball Detent) Pins

IV. ADJUSTMENT

HEIGHT ADJUSTMENT

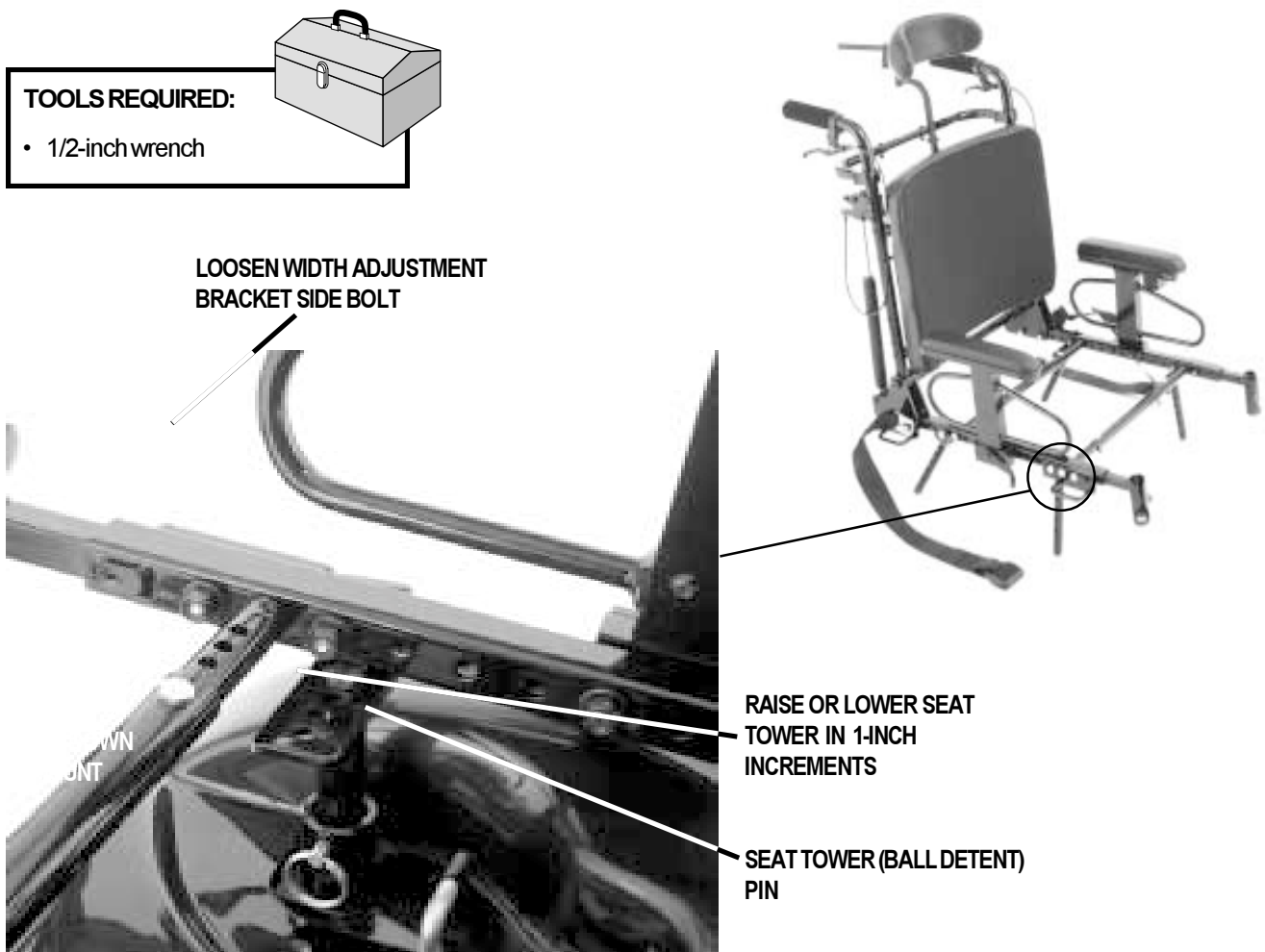
There are five different height settings. The holes in the seat towers are one inch apart.

There are four inches of height adjustment; from 18 - 22 inches (measured from the floor to the top of the seat base).

1. Loosen the width adjustment bracket side bolt on each bracket (four total), using a 1/2-inch wrench. See figure 6.
2. Remove the seat tower (ball detent) pins (four total).
3. Lift the seat to the desired height.
4. Align the holes.
5. Replace the seat tower (ball detent) pins.

NOTE: Raising the front seat towers higher than the rear seat towers will create a base angle tilt. Each notch on a seat tower equals five degrees.

6. Retighten the width adjustment bracket side bolts on all four brackets.



IV. ADJUSTMENT

WIDTH ADJUSTMENT

Each seat tower mounting bracket has five holes that are spaced ½ -inch apart. You must move each mounting bracket one hole to increase/decrease the width one inch (1/2-inch, each side, equals one inch). The width is adjustable from 13 - 21 inches, in one-inch increments.

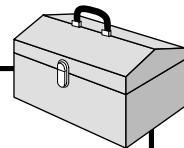
NOTE: The seatback and frame center tubes must be modified for 13-inch widths.

NOTE: The seatback and base must be removed prior to adjusting width.

1. Remove the width adjustment bracket side bolts from each side of the seat base (there are a total of four width adjustment bracket side bolts), using a 1/2-inch wrench. See figure 7.
2. Remove the seat frame.
3. Loosen and remove the bolts holding the width adjustment brackets to each seat tower, using a 1/2-inch wrench (there are a total of four width adjustment bracket bolts).
4. Move the width adjustment brackets inward or outward for the desired width. For 13 - 16 inch settings, you must turn the bracket ends toward the inside. For 17 - 21 inch settings, you must turn the bracket ends toward the outside. Holes are ½-inch apart.
5. Reinstall and tighten the width adjustment bracket bolts to secure the width adjustment brackets to the seat towers.
6. Remove the four center tube button head socket screws (seatback frame), using a 5/32-inch hex key and 7/16-inch wrench. Remove the four bolts (seat base frame), using a 7/16-inch wrench. Adjust the seat frame to the desired width. There are four center tubes (two on the seatback frame, two on the seat base frame).
7. Reinstall and tighten all button head socket screws (seatback frame) and bolts (seat base frame).
8. Place the frame on the width adjustment brackets.
9. Make sure that the seat is centered.
10. Reinstall the width adjustment bracket side bolts.
11. Tighten all bolts and screws as necessary.

TOOLS REQUIRED:

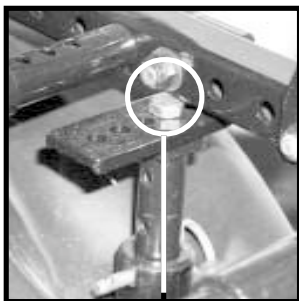
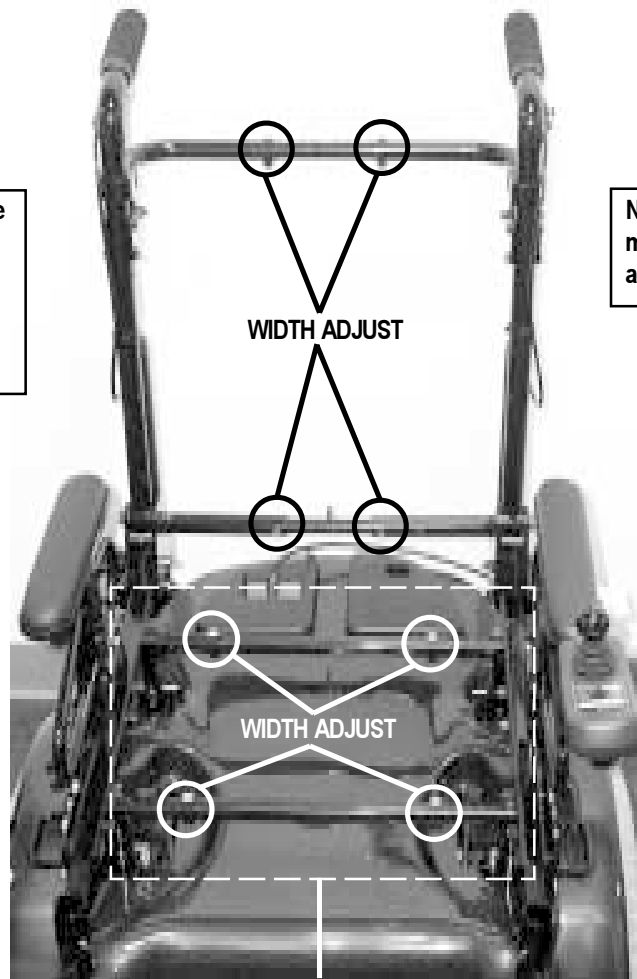
- 1/2-inch wrench
- 7/16-inch wrench
- 5/32-inch hex key



IV. ADJUSTMENT

As shown in this diagram, the Versa Seat with Manual Recline has 12 points that must be adjusted in order to successfully change the width.

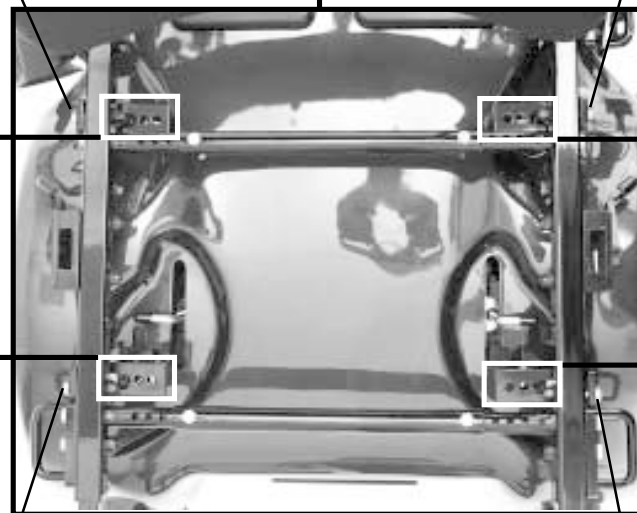
Note that the seatback and base must be removed prior to adjusting width.



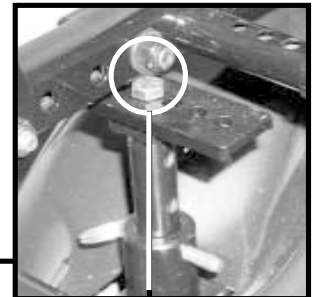
WIDTH ADJUSTMENT BRACKET

WIDTH ADJUSTMENT BRACKET
SIDE BOLT

WIDTH ADJUSTMENT BRACKET
SIDE BOLT



WIDTH ADJUSTMENT BRACKET SIDE BOLTS



WIDTH ADJUSTMENT BRACKET

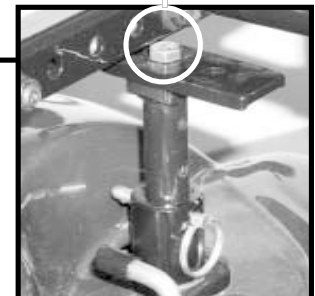


FIGURE 7. Width Adjustment

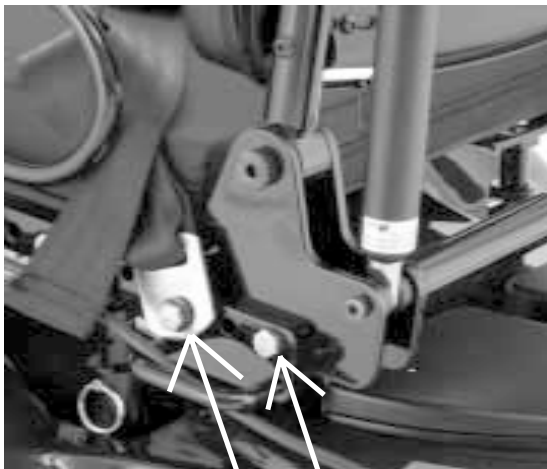
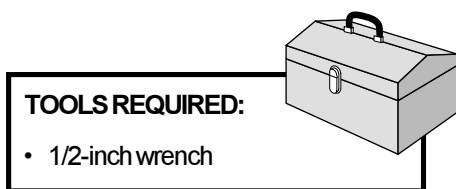
IV. ADJUSTMENT

SEAT DEPTH ADJUSTMENT

The Versa Seat with Manual Recline seat depth is adjustable up to 24 inches, in one-inch increments.

NOTE: You must use Elevated Leg Rests (ELRs) or a standard extension to get beyond 19 inches.

1. Remove the seatback from the seat base rails by removing the two bolts (using a 1/2-inch wrench) that attach the back to the seat base rail (note, two bolts on each side). See figure 8.
2. Slide the seatback forward or rearward to adjust the seat depth.
3. Reinstall the seatback onto the seat base rails.



Remove these bolts, using a 1/2-inch wrench, on each seatback bracket and slide the seatback forward or rearward for desired depth.

FIGURE 8. Seat Depth Adjustment

IV. ADJUSTMENT

ELR DEPTH ADJUSTMENT

The ELRs are adjustable in five different one-inch increments.

1. Remove the setscrew, using a 1/8-inch hex key. See figure 9.
2. Slide the ELR in for shorter lengths or out for longer lengths.
3. Reinstall the setscrew and tighten.
4. Repeat for the other ELR.

TOOLS REQUIRED:

- 1/2-inch wrench
- 1/8-inch hex key

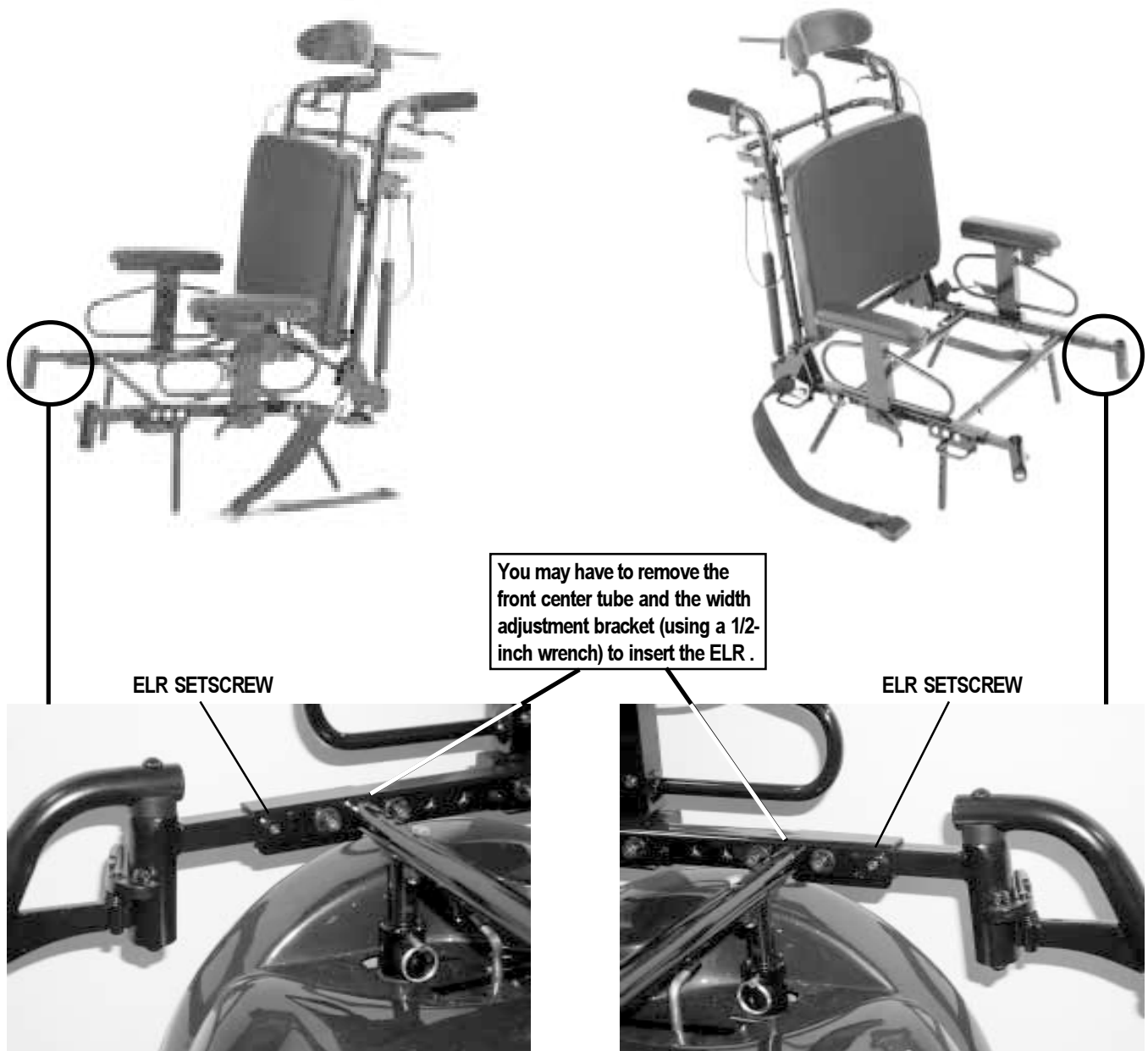
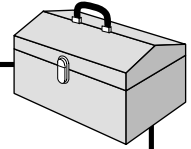


FIGURE 9. ELR Depth Adjustment

IV. ADJUSTMENT

ARMREST HEIGHT ADJUSTMENT

You can adjust the removable armrest's height.

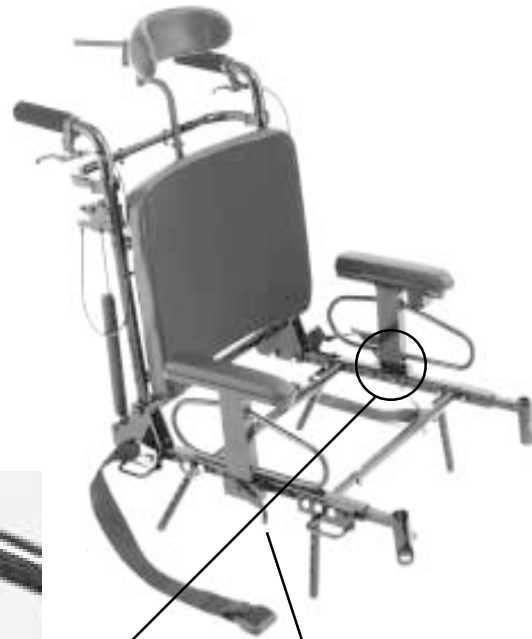
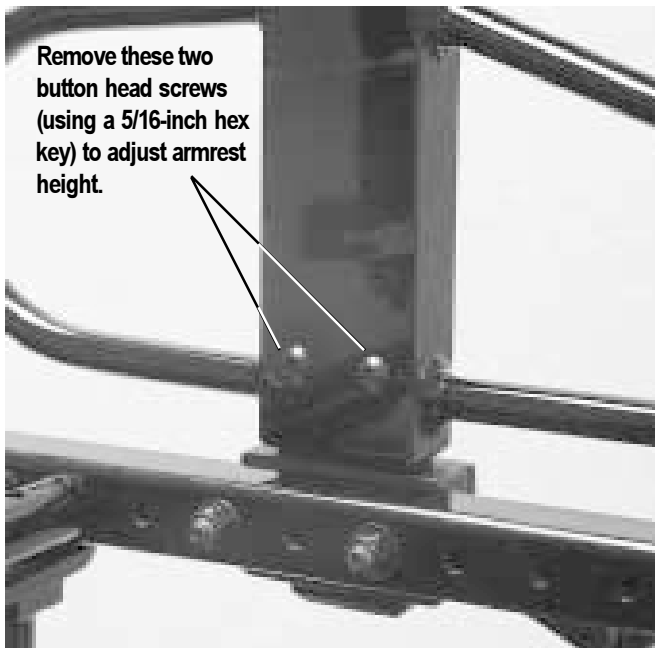
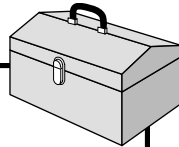
1. Remove the armrest assembly by rotating the armrest receiver lock mechanism toward the back of the chair. Pull up on the armrest assembly to remove. See figure 10.

NOTE: You may also adjust the armrest height while the armrest is locked into the armrest receiver lock.

2. Remove the two button head screws from the side of the armrest, using a 5/16-inch hex key. See figure 10.
3. Slide the armrest mounting bar in or out for the desired height.
4. Reinstall the two armrest button head screws.
5. If you removed the armrest assembly from the armrest receiver lock, reinstall the armrest, and rotate the armrest receiver lock mechanism toward the front of the chair.

TOOLS REQUIRED:

- 5/16-inch hex key



ARMREST
RECEIVER
LOCK
MECHANISM

LOCKED = TOWARD
FRONT OF CHAIR



UNLOCKED = TOWARD
BACK OF CHAIR



FIGURE 10. Armrest Height Adjustment

IV. ADJUSTMENT

ARMREST FORE AND AFT POSITION ADJUSTMENT

You can adjust the removable armrest's forward and rearward positions.

1. Remove the armrest assembly by rotating the armrest receiver lock mechanism toward the back of the chair. Pull up on the armrest assembly to remove. See figure 11.
2. Using a 1/2-inch wrench, remove the armrest receiver lock mechanism anchor nuts (two) on the backside of the rail. See figure 11.
3. Move the armrest lock fore or aft along the frame rail.
4. Reinstall the armrest receiver lock anchor nuts.
5. Reinstall the armrest, and rotate the armrest receiver lock mechanism toward the front of the chair.

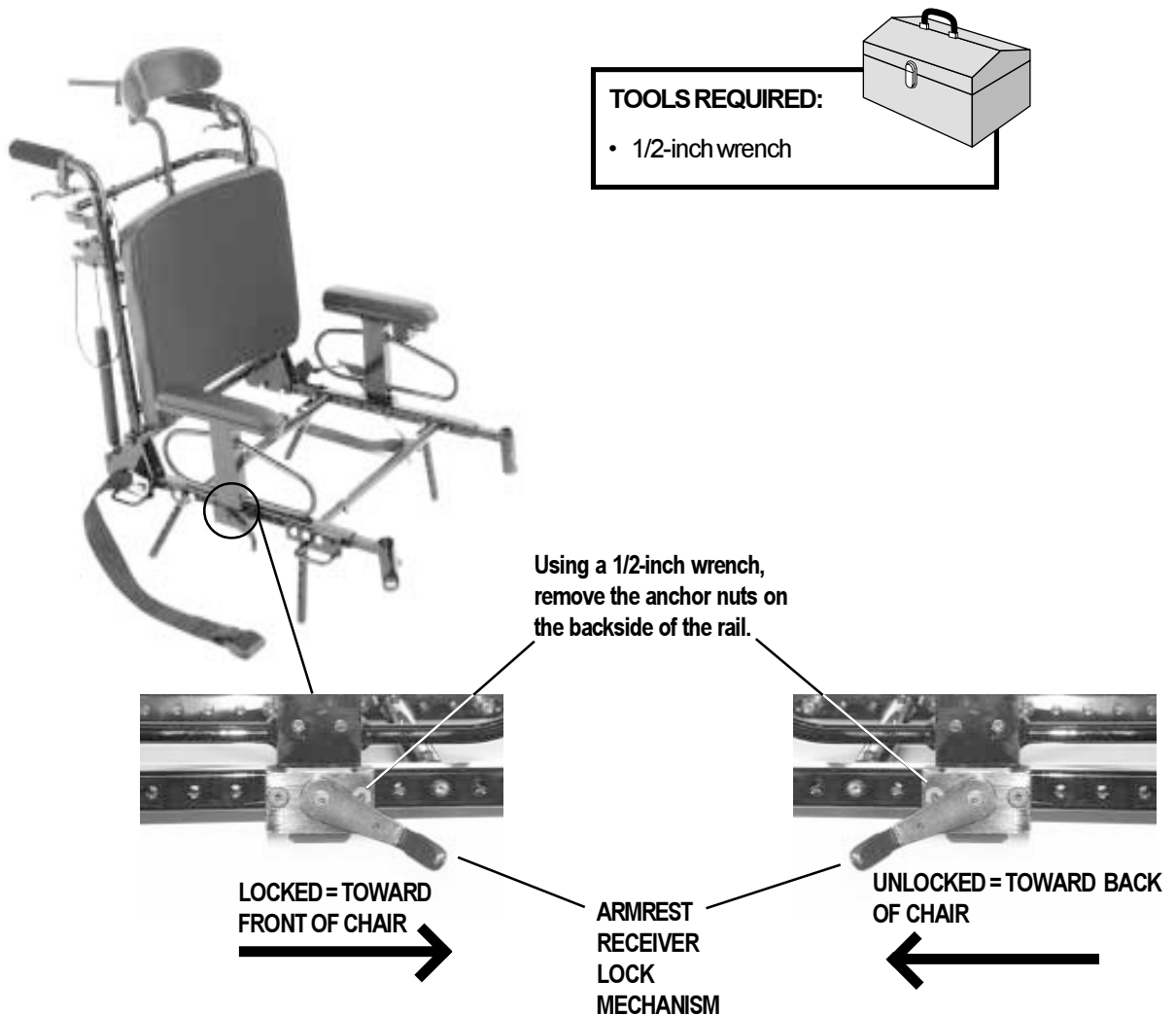


FIGURE 11. Armrest Positioning

IV. ADJUSTMENT

SEAT BASE ANGLE ADJUSTMENT

You can adjust the seat base angle to achieve up to 20° of posterior tilt (seat rake) by raising and lowering the front or back seat towers. See figure 12.

1. Loosen the width adjustment bracket bolts (four total), using a 1/2-inch wrench. See figure 7 for location.
2. Remove the seat tower (ball detent) pins (four total).
3. Raise or lower the seat to the desired position and reinstall the seat tower (ball detent) pins.
4. Tighten the width adjustment bracket bolts.

NOTE: Ensure the bolts are properly tightened before using your Power Chair.



WARNING! Your Power Chair's center of gravity is affected by the seat position/angle. If your Power Chair was configured at your Pride provider or service center, consult your health care professional before changing the seat position/angle. Some adjustments may degrade your Power Chair's performance and safety by changing its center of gravity.

TOOLS REQUIRED:

- 1/2-inch wrench

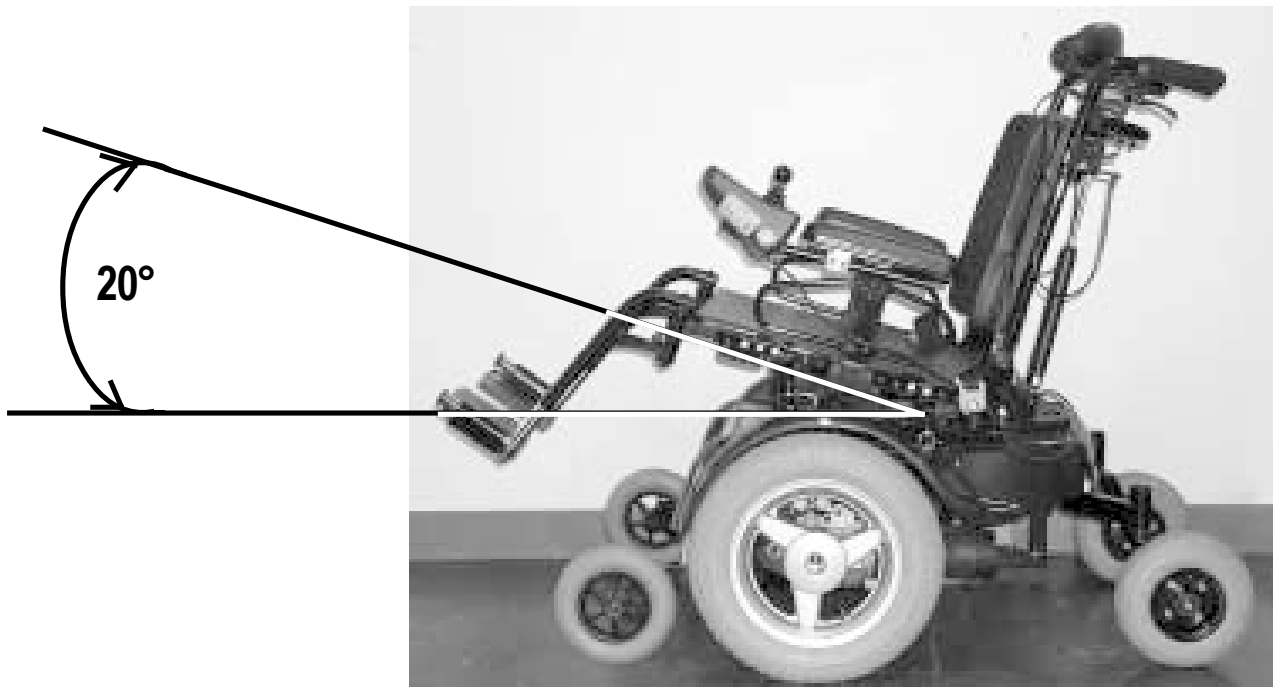
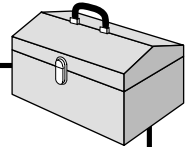


FIGURE 12. Seat Base Angle at Maximum

IV. ADJUSTMENT

SEAT POSITION ADJUSTMENT

You can move the entire seat forward or rearward on the seat towers in one-inch increments. See figure 13.

1. Remove the four width adjustment bracket bolts, using a 1/2-inch wrench. See figure 7 for location.
2. Move the seat forward or rearward to the desired position.

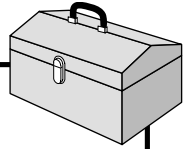
NOTE: You may need to move the center tubes and/or tie-downs for proper position, using a 1/2-inch wrench.

3. Reinstall the four width adjustment bracket bolts and tighten.

NOTE: Ensure the width adjustment bracket bolts are properly tightened before using your Power Chair.

TOOLS REQUIRED:

- 1/2-inch wrench



WARNING! Your Power Chair's center of gravity is affected by the seat position. If your Power Chair was configured at your Pride provider or service center, consult your health care professional before changing the seat position. Some adjustments may degrade your Power Chair's performance and safety by changing its center of gravity.

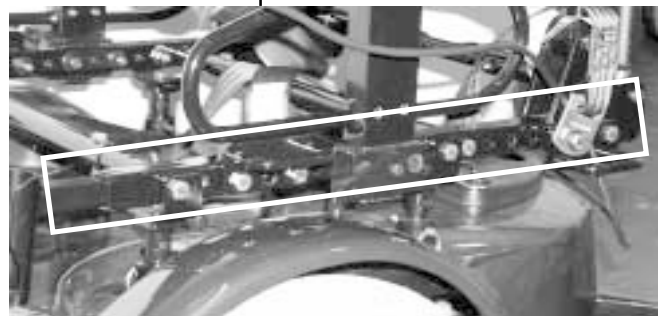
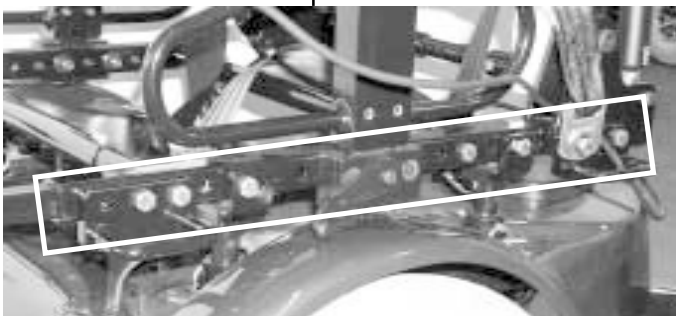


FIGURE 13. Move the Seat Forward or Rearward Along the Seat Towers

IV. ADJUSTMENT

ADJUSTING THE HEADREST

You can adjust the headrest in a number of directions: up and down, front to back, and headrest angle.

To adjust the headrest from front to back or the headrest extension tube angle:

1. Loosen the three hex screws (see figure 14A) using a 3/16-inch hex key.
2. Adjust the location of the headrest as needed.
3. Retighten the three hex screws.

To further adjust the headrest angle:

1. Loosen the three hex screws *on the back of the headrest* (see figure 14B) using a 5/32-inch hex key.
2. Adjust the angle.
3. Retighten the three hex screws.

To adjust the headrest up and down:

1. Turn the height adjustment lever counterclockwise to loosen (see figure 14C).
2. Raise or lower the headrest as needed.
3. Turn the height adjustment lever clockwise to tighten.

The lock collar is used to set the headrest height (see figure 14C). If the headrest is removed for any reason, upon reinstalling it, the lock collar will rest on the height adjustment lever mount, thus returning the headrest height to its previous setting.

Adjust the lock collar using a 3/32-inch hex key.

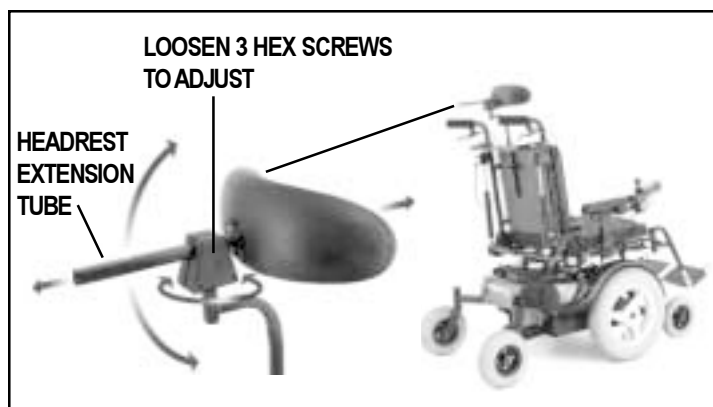
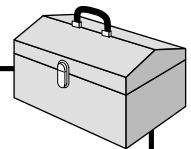


FIGURE 14A. Headrest Extension Tube Angle

TOOLS REQUIRED:

- 3/16-inch hex key
- 5/32-inch hex key
- 3/32-inch hex key



IV. ADJUSTMENT

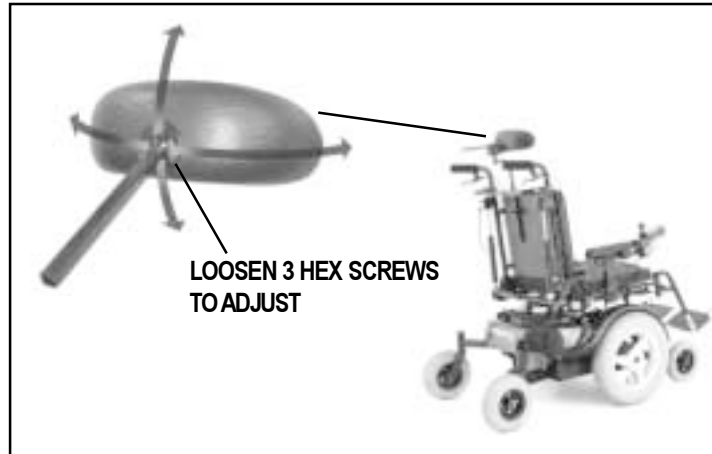


FIGURE 14B. Headrest Angle

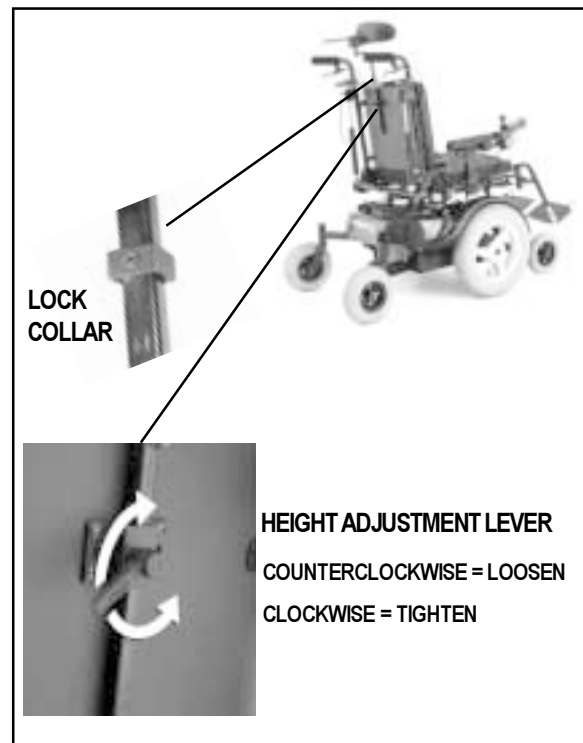


FIGURE 14C. Headrest Height

V. MANUAL RECLINE

OPERATING THE MANUAL RECLINE

You can adjust the seatback to an infinite number of angles, ranging from the straight-up position (90° from the seat base) to the full-recline position (180° from the seat base). See figure 15.

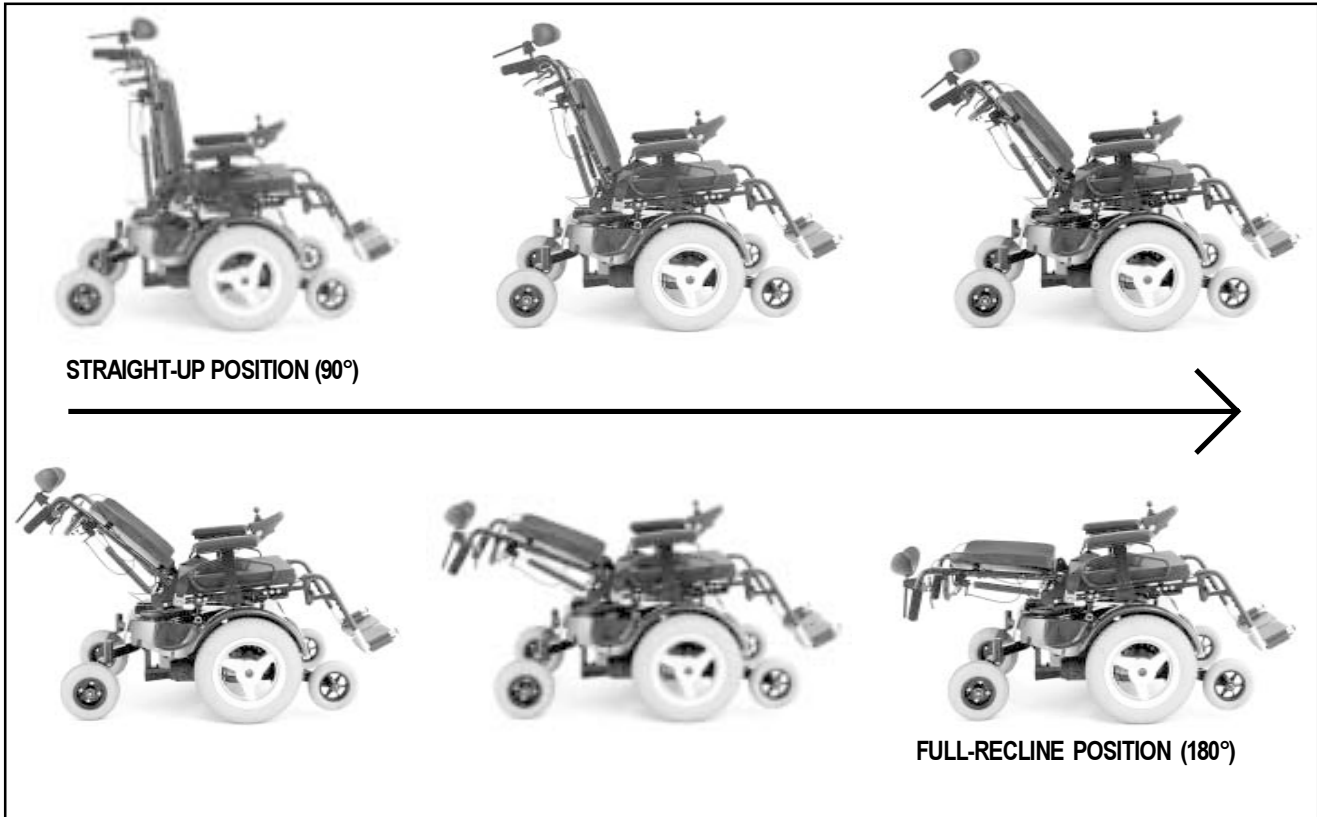


FIGURE 15. Manual Recline's Range of Adjustment



WARNING! Your Power Chair's center of gravity is affected by the seatback angle. If your Power Chair was configured at your Pride provider or service center, consult your health care professional before changing the seatback angle. Some adjustments may degrade your Power Chair's performance and safety by changing its center of gravity.

To recline the seatback, grasp the handles at the top back of the seat. Then, pull up, simultaneously, on the recline release handles. See figure 16. With the recline release handles pulled up against the handles, position the seatback to the desired angle. See figure 17.

V. MANUAL RECLINE

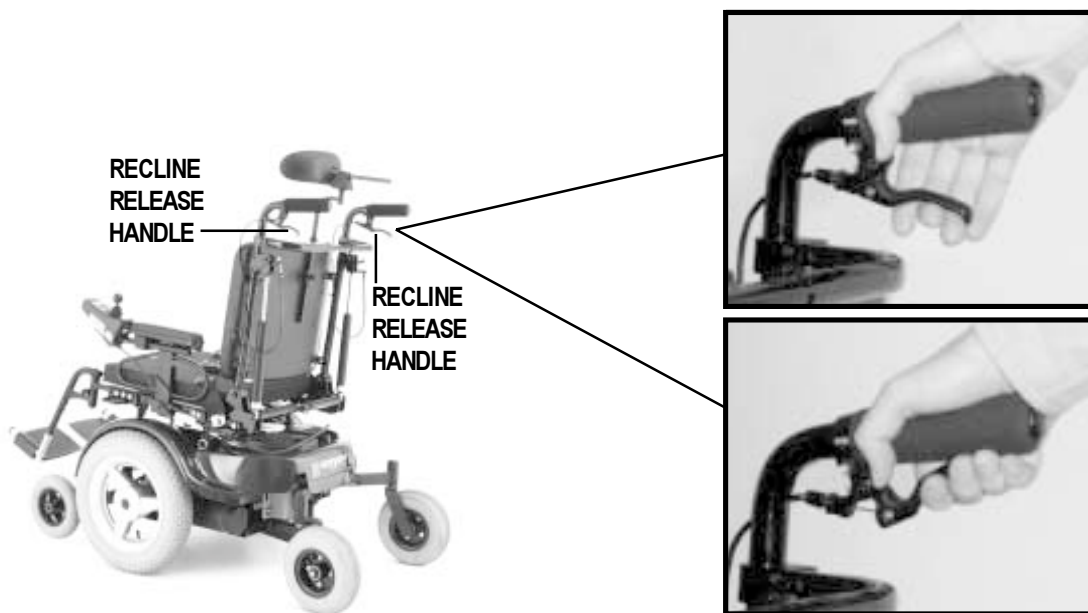


FIGURE 16. Operating the Manual Recline Release Handles



FIGURE 17. Operating the Manual Recline

V I . W A R R A N T Y

THREE-YEAR LIMITED WARRANTY

For three (3) years from the date of purchase, Pride Mobility Products Corporation will repair or replace at our option to the original purchaser, free of charge, any of the following parts found upon examination by an authorized representative of Pride Mobility Products Corporation to be defective in material and/or workmanship:

- Structural frame components

WARRANTY EXCLUSIONS

- Upholstery and seating
- Repairs and/or modifications made to any part without specific consent from Pride Mobility Products Corporation
- Circumstances beyond the control of Pride Mobility Products Corporation
- Labor, service calls, shipping, and other charges incurred for repair of the product, unless specifically authorized by Pride Mobility Products Corporation

Damage caused by:

- Battery fluid spillage or leakage
- Abuse, misuse, accident, or negligence
- Improper operation, maintenance, or storage
- Commercial use or use other than normal

There is no other express warranty.

Implied warranties, including those of merchantability and fitness for a particular purpose, are limited to one (1) year from the date of purchase and to the extent permitted by law. Any and all implied warranties are excluded. This is the exclusive remedy. Liabilities for consequential damages under any and all warranties are excluded.

Some states do not allow limitations on how long an implied warranty lasts or do not allow the exclusion of limitation of incidental or consequential damages, so the above limitation or exclusion may not apply to you.

This warranty gives you specific rights, and you may also have other rights that vary from state to state.

Please fill out and return the warranty card to Pride Mobility Products Corporation; doing so assists us in providing you the best possible technical and customer service.

NOTES