

# **QUANTUM™**

---

# **REHAB**

LEAPING AHEAD WITH MORE ADVANCED REHAB PRODUCTS AND SERVICES

## **Versa Tilt Seating System**



***Basic Operation Instructions***

## IMPORTANT NOTICE

This manual describes basic operation for the Versa Tilt only and must be read in conjunction with all literature supplied with your power chair. Please read all manuals in their entirety before operating the Versa Tilt or your power chair.

This manual is intended as a supplement to the in-service training provided by your authorized provider. If you have any questions or problems regarding the Versa Tilt, please contact your authorized Pride provider.

## PRODUCTS SAFETY LABELS

The symbols below are used throughout this manual and on the product to identify warnings, cautions, and notes. It is very important for you to read and understand the information that follows these symbols completely.



**WARNING!** Indicates a potentially hazardous situation which, if not avoided, could result in death or serious injury.



**CAUTION!** Indicates a potentially hazardous situation which, if not avoided, may result in minor or moderate injury and/or property damage.



**NOTE:** Indicates important things to remember when using your Pilot Controller.

# TABLE OF CONTENTS

|   |    |
|---|----|
| <b>INTRODUCTION</b> .....                         | 4  |
| The Versa Tilt .....                              | 4  |
| <b>SAFETY PRECAUTIONS</b> .....                   | 4  |
| <b>OPERATING THE VERSA TILT</b> .....             | 6  |
| Toggle Switch Operation .....                     | 6  |
| Omni Plus Operation .....                         | 6  |
| SCR Operation .....                               | 7  |
| <b>SPECIFICATIONS</b> .....                       | 8  |
| <b>ADJUSTING THE VERSA TILT</b> .....             | 9  |
| Flip-up Armrest Angle Adjustment .....            | 9  |
| Flip-up Armrest Height Adjustment .....           | 10 |
| Removable Armrest Height Adjustment .....         | 11 |
| Removable Armrest Position Adjustment .....       | 12 |
| Adult Drop-in Armrest Height Adjustment .....     | 12 |
| Pediatric Drop-in Armrest Height Adjustment ..... | 14 |
| <b>CONTROLLER CARE AND MAINTENANCE</b> .....      | 15 |
| <b>WARRANTY</b> .....                             | 15 |

## INTRODUCTION

Welcome to Quantum Rehab, a Division of Pride Mobility Products Corporation. Quantum Rehab is dedicated to providing custom power chairs for users with advanced rehabilitation and mobility issues. Quantum Rehab also expands possibilities for enhanced healthcare attendant control over power chair functions to provide a secondary level of support for our customers.

### The Versa Tilt Seating System

The Versa Tilt is a unique seating system designed specifically for the Jazzy Power Chair. It is fully adjustable to meet the individual needs of the user, and it is mounted to a Jazzy power base to provide maximum maneuverability.

This manual explains the basic operation of the Versa Tilt and provides information about the Versa Tilt to the owner/operator. Please read this manual in its entirety before operating the Versa Tilt.

Figure 1 provides information on Versa Tilt components and features. Use this diagram to familiarize yourself with the function and location of each component before using the Versa Tilt.

## SAFETY PRECAUTIONS

Before operating the Versa Tilt, please read and follow the safety precautions listed below. These precautions are produced for your benefit and will aid you in the safe operation of the Versa Tilt.

- Turn off the power before you are seated in the Versa Tilt.
- Always have assistance when you are being seated in the Versa Tilt.
- Do not exceed the specifications stated in this manual.
- Follow all of the safety precautions detailed in your power chair owner's manual.
- The only parts of the Versa Tilt that are user-adjustable are the armrests.

*All other components are to be changed by your authorized provider only.*



**WARNING!** Your authorized Pride provider configured your Versa Tilt to suit your specific requirements. Do not change the original configuration without first contacting your authorized Pride provider.



**NOTE:** Please consult your authorized provider and/or rehabilitation specialist if you do not fully understand all of the instructions in this manual.

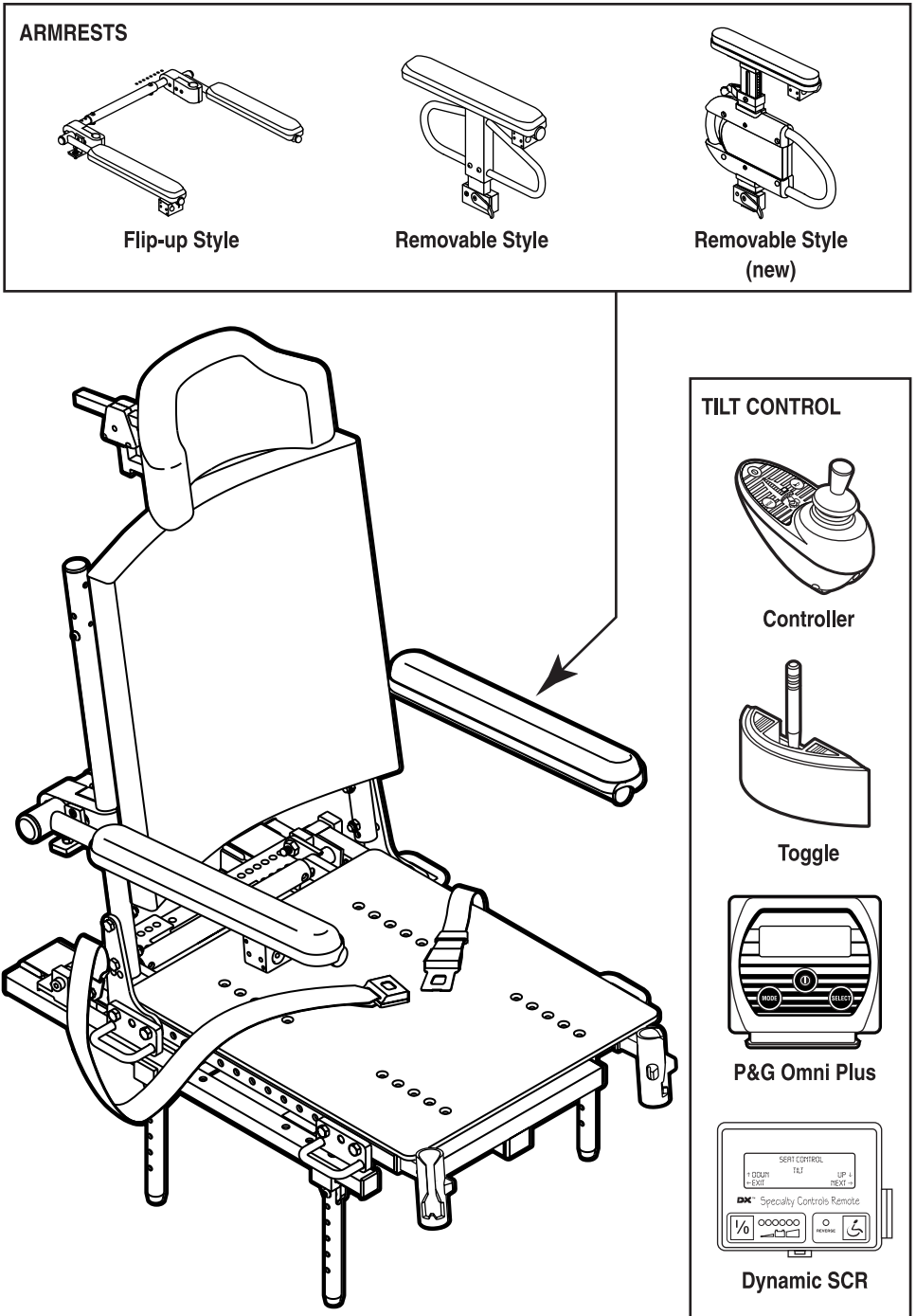


Figure 1. Versa Tilt Components and Features

## OPERATING THE VERSA TILT

There are four main ways to operate the Versa Tilt. Your power chair may be equipped with one of the following: Toggle Switch, Omni Plus, SCR, and joystick. For other Versa Tilt operating methods, contact your authorized Pride provider.



**NOTE: Joystick operation will not be discussed in this manual because of the variety of Penny & Giles and Dynamic DX joystick controllers that can be used in Versa Tilt operation. If your Versa Tilt is equipped with a joystick controller, please refer to the operation manual supplied with that joystick.**

### Toggle Switch Operation

The Versa Tilt angles can be controlled using the toggle switch located at the end of the armrest. See figure 2.

1. To tilt backward, pull the toggle switch backward.
2. To return to a sitting position or to a 0-degree tilt position, push the toggle switch forward.

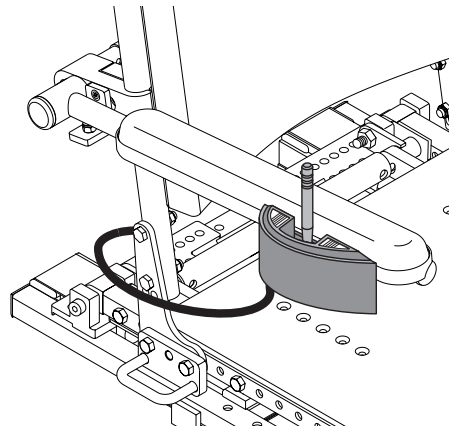


Figure 2. Versa Tilt Toggle Switch



**NOTE: There is a power inhibit on your Versa Tilt which will not allow you to drive your power chair while in the tilt position. Half inhibit will activate at 0°-15°, and full inhibit will activate at 15°-50°.**

### Omni Plus Operation

The Penny & Giles Omni Plus Module is a universal specialty controls interface which accepts signals from a variety of input devices. To operate your Versa Tilt with the Omni Plus and your input device:

1. Press the On/Off button to power on the Omni Plus.
2. Press the MODE button twice (or the external mode switch that is plugged into the mode/stop input) to display the ACTUATORS menu option.
3. Apply a forward (up) command or a reverse (down) command to the input device to select between ACTUATORS, DRIVE, and ACM (if applicable).

4. Use the SELECT button or a right command to choose ACTUATORS, then press the MODE Button or the external mode switch that is plugged into the mode/stop input.
5. Press the SELECT button, or give a right command to the input device to toggle among the actuator functions.
6. Choose TILT. A forward command or a reverse command to the input device will activate the selected function, and adjust the seat.
7. To exit, scroll right or left until the screen display reads EXIT, and then give a forward command or press the MODE button.

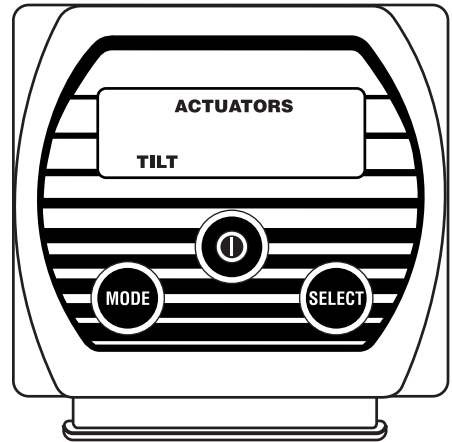


Figure 3. Omni Plus Tilt Display



**NOTE:** The system can be programmed so that forward and reverse commands select actuator function, and right and left commands lower and raise the seating system. Please contact your authorized Pride provider for more information on this feature.

## SCR Operation

The Dynamic DX Specialty Controls Remote (SCR) allows users to control a wide range of on-chair and off-chair functions and accepts signals from a variety of input devices. To operate your Versa Tilt with the SCR and your input device:

1. Press the On/Off switch to power on the SCR. An initializing screen will display followed by a control mode display.
2. Press the MODE Switch or give a “NEXT” (forward) command to the input device until the screen displays the SEAT CONTROL menu. See figure 4.
3. Give a “YES” (right) command to the input device to enter TILT mode.
4. The LCD Display will prompt the user to choose one of four options. See figure 5. “DOWN” returns the seat to an upright position, “UP” adjusts

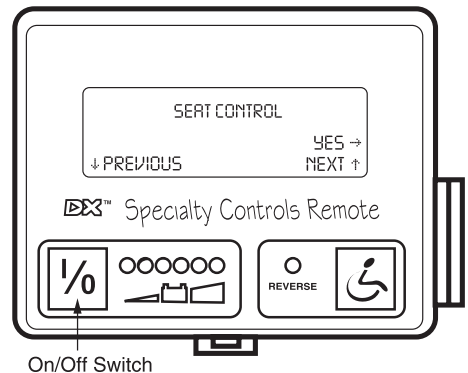
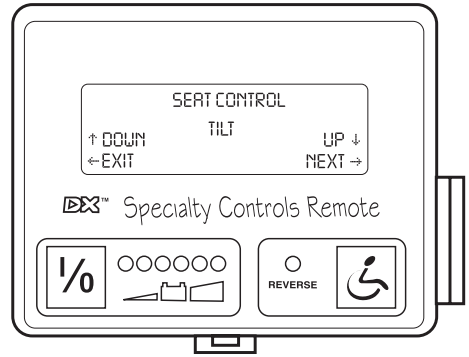


Figure 4. Seat Control Menu

the actuator to the desired position, “EXIT” returns the SCR to the Seat Control menu, and “NEXT” moves the SCR to the next available actuator or mode.

5. Adjust the Versa Tilt to the desired position.
6. To return to the DRIVE mode, choose “EXIT,” then choose “PREVIOUS.”



**Figure 5. Tilt Mode Selection**

## SPECIFICATIONS

|                                  |  |
|----------------------------------|--|
| Total Weight:                    | 79.5 lbs. (standard)   |
| Maximum Weight Capacity:         | Refer to the Specifications Table in the Jazzy Owner's Manual  |
| Maximum Angle of Tilt:           | Up to 60 degrees, depending on model   |
| Adjustable Seatback Range:       | Up to 24 degrees of total adjustment   |
| Adjustable Seat Width Range:     | 16 in. to 21 in. (in 1-inch increments; seat pan adjustment required)  |
| Adjustable Seat Depth Range:     | 14 in. to 22 in. (in 1-inch increments; seat pan adjustment required)  |
| Adjustable Seat Height Range:    | 18 in. to 22 in. depending on Jazzy model  |
| Adjustable Armrest Height Range: | Flip-up: 6 in. to 14 in.<br>Removable: 6 in. to 14 in. (in 1-inch increments)  |
| Electronics:                     | Toggle switch with current limiter circuit   |
| Controller Options:              | Penny & Giles or Dynamic systems   |
| Standard Features:               | Removable solid seat base pan; adjustable seat width, depth, and height; adjustable seatback; curved rigid seatback; headrest (large or small); adjustable armrests (flip-up or removable) |



## ADJUSTING THE VERSA TILT

### Flip-up Armrest Angle Adjustment

#### Required Tools:

- 3/16-in. hex key
- 1/2-in. open-ended wrench

1. Move the armrests up and out of the way. See figure 6.
2. Use a 1/2-in. open-ended wrench to loosen the jam nut located on the armrest angle support bracket.
3. Use a 3/16-in. hex key to loosen or tighten the button head screw located on the armrest angle support bracket. Loosening the button head screw will increase the armrest angle; tightening the button head screw will decrease the armrest angle.
4. When the screw has been positioned to the proper angle, tighten the jam nut.
5. Move the armrests down to position.

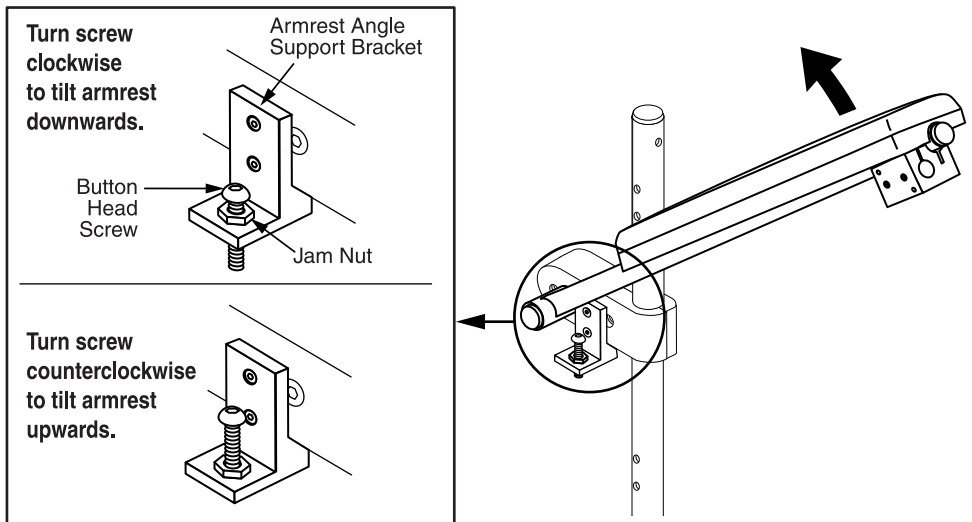


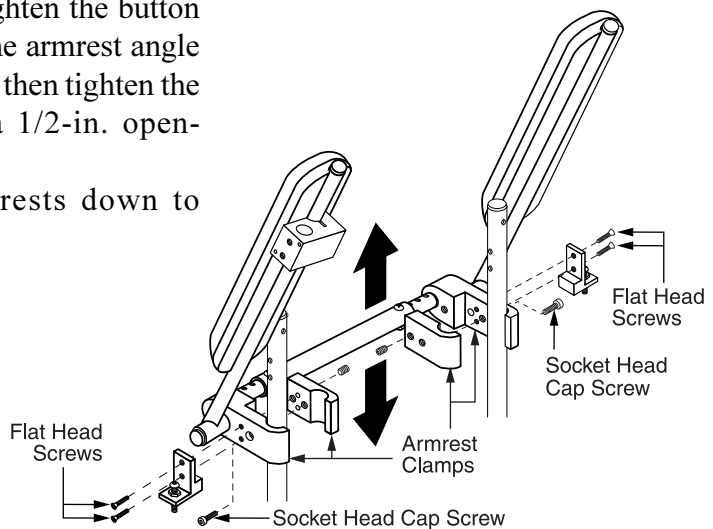
Figure 6. Flip-up Armrest Angle Adjustment

## Flip-up Armrest Height Adjustment

### Required Tools:

- 3/16-in. hex key
- 1/2-in. open-ended wrench
- 5/32-in. hex key
- 5/16-in. hex key

1. Move the armrests up and out of the way. See figure 7.
2. Use a 1/2-in. open-ended wrench to loosen the jam nut located on the armrest angle support bracket. See figure 6.
3. Use a 3/16-in. hex key to remove the button head screw and jam nut from the armrest angle support bracket.
4. Use a 5/32-in. hex key to remove the two (2) flat head screws from the armrest angle support bracket, then remove the bracket. See figures 6 and 7.
5. Use a 5/16-in. hex key to remove the shoulder bolt from the armrest clamp.
6. Raise or lower the armrests to the desired height.
7. Reinstall the shoulder bolt to the armrest clamp.
8. Replace the armrest angle support bracket, and then reinstall and tighten the two (2) flat head screws.
9. Reinstall and tighten the button head screw to the armrest angle support bracket, then tighten the jam nut with a 1/2-in. open-ended wrench.
10. Move the armrests down to position.



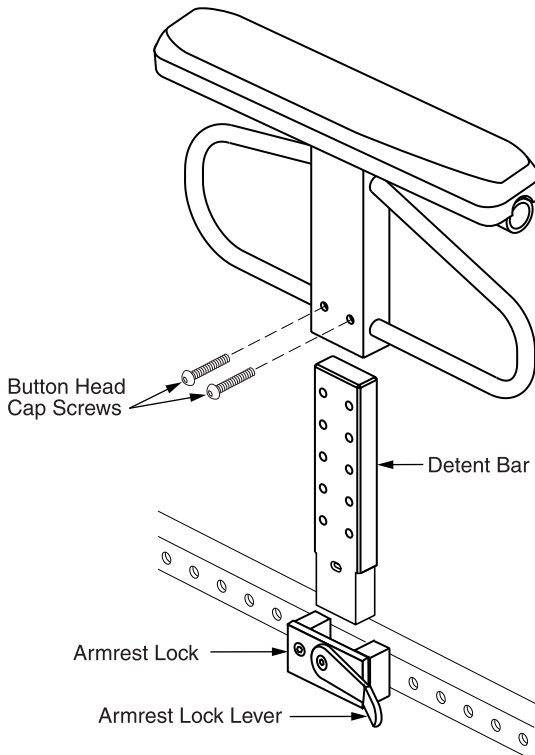
**Figure 7. Flip-up Armrest Height Adjustment**

## Removable Armrest Height Adjustment

### Required Tools:

- 5/32-in. hex key
- 3/16-in. hex key
- 7/16-in. open-end wrench
- 1/2-in. open-end wrench

1. Rotate the armrest lock lever rearward and remove the armrest from the armrest lock. See figure 8.
2. Use a 5/32-in. hex key to remove the two (2) button head cap screws from the side of the armrest.
3. Slide the armrest up or down the detent bar to the desired height.
4. Reinstall the button head cap screws to the side of the armrest.
5. If necessary, repeat for the other armrest.



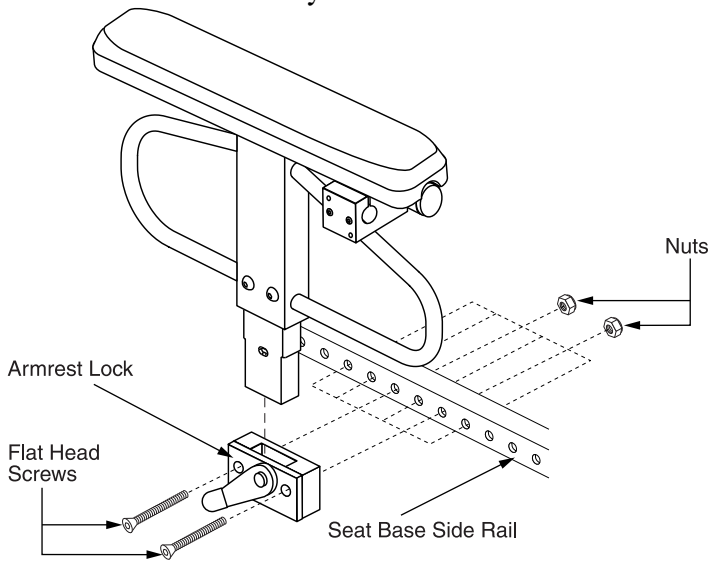
**Figure 8. Removable Armrest Height Adjustment (Right side shown.)**

## Removable Armrest Position Adjustment

### Required Tools:

- 3/16-in. hex key
- 1/2-in. open-end wrench

1. Rotate the armrest lock lever rearward and remove the armrest from the armrest lock. See figure 8.
2. Use a 3/16-in. hex key to remove the flat head screws and nuts that fasten the armrest lock to the seat base side rail. See figure 9.
3. Move the armrest lock forward or rearward along the seat base side rail.
4. Reinstall the armrest lock.
5. Reinstall the armrest.
6. Repeat for the other side if necessary.



**Figure 9. Removable Armrest Position Adjustment (Right side shown.)**

## Adult Drop-in Armrest Height Adjustment

The Adult Drop-in Armrest is designed so that it can be adjusted and removed easily. The top and the bottom of the Drop-in Armrests have height adjustment capabilities. The top height adjustment range is 3-in. in 1/2-in. increments. The bottom height adjustment range is 3-in. in 1-in. increments. The total height adjustment range is 6-in. (from 11-in. to 17-in.). This range is measured from the top of the seat rail to the top of the arm pad.

**Required Tools:**

- 5/32-in hex key
- 3/32-in hex key

To adjust the top height:

1. Twist the release lever inward. See figure 10.
2. Slide the armrest up or down.
3. Return the release lever to the vertical position and the armrest will lock into place.

To adjust the bottom height:

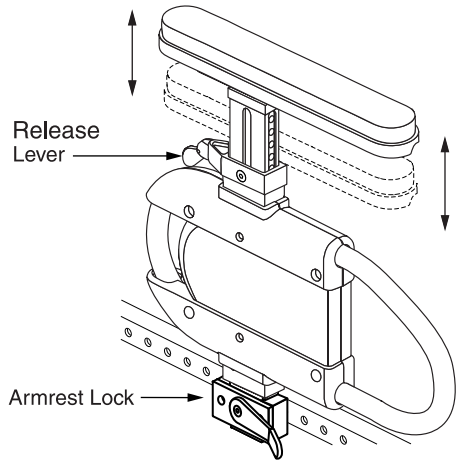
1. Use the 3/32-in hex key to remove the clothing guard. See figure 11.
2. Use the 5/32-in. hex key to remove the two flat head screws from the detent bar.
3. Slide the armrest up or down.
4. Line up the holes in the armrest.
5. Use the 5/32-in. hex key to reinstall the two flat head screws.
6. Use the 3/32-in hex key to reinstall the clothing guard.

To remove the armrest assembly:

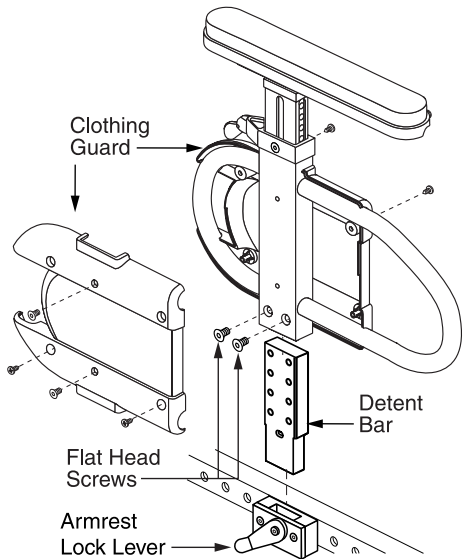
1. Rotate the armrest lock lever rearward. See figure 10.
2. Lift up the armrest.

To install the armrest:

1. Place the armrest assembly into the armrest lock. See figure 10.
2. Rotate the armrest lock lever forward.



**Figure 10. Adult Drop-in Armrest Height Adjustment**



**Figure 11. Adult Drop-in Armrest Assembly**

## Pediatric Drop-in Armrest Height Adjustment

The Pediatric Drop-in Armrest is designed so that it can be adjusted and removed easily. The top height adjustment range is 3-in. in 1/2-in. increments. This range is measured from the top of the seat rail to the top of the arm pad. The total height adjustment range is 8-in. to 11-in.

To adjust the height:

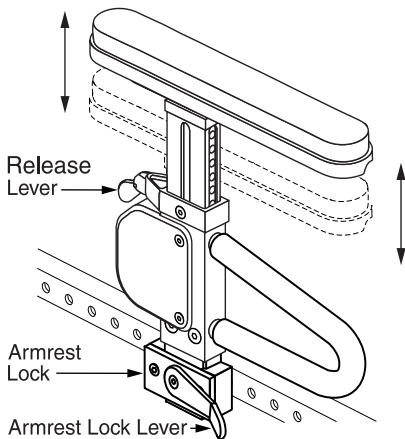
1. Twist the release lever inward. See figure 12.
2. Slide the armrest up or down.
3. Return the release lever the vertical position and lock into place. If necessary, move the armrest up or down to lock it into place.

To remove the armrest assembly:

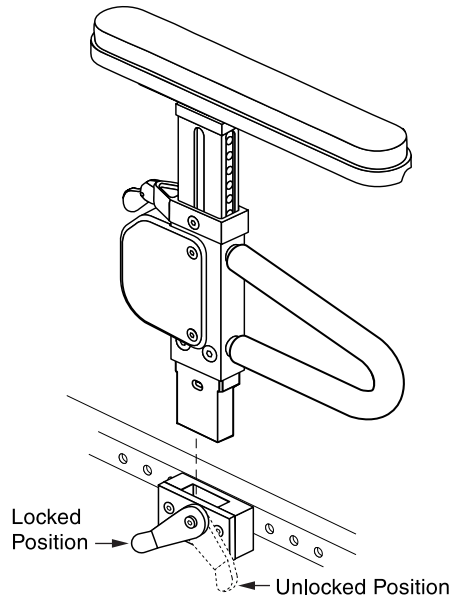
1. Rotate the armrest lock lever rearward. See figure 13.
2. Lift up the armrest assembly.

To install the armrest assembly:

1. Place the armrest assembly in the armrest lock. See figure 13.
2. Rotate the armrest lock lever forward.



**Figure 12. Pediatric Drop-in Armrest Height Adjustment**



**Figure 13. Pediatric Drop-in Armrest Removal**

## **CONTROLLER CARE AND MAINTENANCE**

- Avoid knocking or bumping the controller.
- Keep the controller clean.
- Check all electrical connections to ensure that they are all tight, secured properly, and not corroded.
- Visually inspect controller harnesses. Make sure that they are not frayed, cut, or have any wires exposed.
- Make sure all hardware is secured properly, but do not overtighten any hardware or electrical connection.

## **WARRANTY**

### **Three-Year Limited Warranty**

For three (3) years from the date of purchase, Pride will repair or replace, at our option, to the original purchaser, free of charge, any of the following parts found upon examination by an authorized representative of Pride to be defective in material and/or workmanship:

- Structural frame components

### **Two-Year Limited Warranty**

For two (2) years from the date of purchase, Pride will repair or replace, at our option, to the original purchaser, free of charge, any of the following parts found upon examination by an authorized representative of Pride to be defective in material and/or workmanship:

- Electronics

### **Eighteen-Month Warranty**

For eighteen (18) months from the date of purchase, Pride will repair or replace, at our option, to the original purchaser, free of charge, any of the following parts found upon examination by an authorized representative of Pride to be defective in material and/or workmanship:

- Actuator

Warranty service can be performed by an authorized provider or by Pride. Do not return faulty parts to Pride without prior consent. All transportation costs and shipping damage incurred while submitting parts for repair or replacement are the responsibility of the original purchaser.

**Warranty Exclusions:**

- Upholstery and seating
- Repairs and/or modifications made to any part without specific consent from Pride
- Circumstances beyond the control of Pride
- Labor, service calls, shipping, and other charges incurred for repair of the product, unless specifically authorized by Pride
- Damage caused by:
  - Battery fluid spillage or leakage
  - Abuse, misuse, accident, or negligence
  - Improper operation, maintenance, or storage
  - Commercial use or use other than normal

There is no other express warranty.

Implied warranties, including those of merchantability and fitness for a particular purpose, are limited to one year from the date of purchase and to the extent permitted by law. Any and all implied warranties are excluded. This is the exclusive remedy. Liabilities for consequential damages under any and all warranties are excluded.

Some states do not allow limitations on how long an implied warranty lasts or do not allow the exclusion of limitation of incidental or consequential damages, so the above limitation or exclusion may not apply to you.

This warranty gives you specific rights, and you may also have other rights which vary from state to state.

Please fill out and return the warranty card to Pride Mobility Products Corporation. This will aid Pride in providing the best possible technical and customer service.

*NOTE: If you ever lose or misplace your warranty card or this manual, call or write to us and we will be glad to send you a new one immediately.*



**My Authorized Pride Provider Is:**

Name: \_\_\_\_\_

Address: \_\_\_\_\_

Phone Number: \_\_\_\_\_

**Quick Reference Information:**

Serial Number: \_\_\_\_\_

Purchase Date: \_\_\_\_\_

|                |
|----------------|
| <h1>NOTES</h1> |
|----------------|





**QUANTUM™**  
**REHAB**

LEAPING AHEAD WITH MORE ADVANCED REHAB PRODUCTS AND SERVICES

***Exeter, PA***

***Customer Care Department:  
1-800-424-8205***

***Visit the Rehab Zone at:  
[www.quantumrehab.com](http://www.quantumrehab.com)***

***Pride***  
***Mobility Products Corp.***