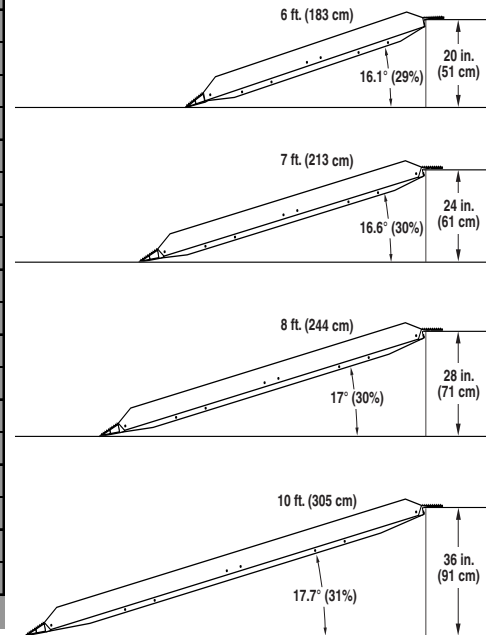


# RAMP SPECIFICATIONS

|                |                |                |                 |                |
|----------------|----------------|----------------|-----------------|----------------|
|                |                |                | 17.7° (31%)     | 36 in. (91 cm) |
|                |                |                | 16.5° (30%)     | 34 in. (86 cm) |
|                |                |                | 15.5° (28%)     | 32 in. (81 cm) |
|                |                |                | 14.5° (26%)     | 30 in. (76 cm) |
|                |                | 17° (30%)      | 13.5° (24%)     | 28 in. (71 cm) |
|                |                | 15.7° (28%)    | 12.5° (22%)     | 26 in. (66 cm) |
|                | 16.6° (30%)    | 14.5° (26%)    | 11.5° (20%)     | 24 in. (61 cm) |
|                | 15.2° (27%)    | 13.2° (24%)    | 10.6° (19%)     | 22 in. (56 cm) |
| 16.1° (29%)    | 13.8° (25%)    | 12° (21%)      | 9.6° (17%)      | 20 in. (51 cm) |
| 14.5° (26%)    | 12.4° (22%)    | 10.8° (19%)    | 8.6° (15%)      | 18 in. (46 cm) |
| 12.8° (23%)    | 11° (19%)      | 9.6° (17%)     | 7.7° (13%)      | 16 in. (41 cm) |
| 11.2° (20%)    | 9.6° (17%)     | 8.4° (15%)     | 6.7° (12%)      | 14 in. (36 cm) |
| 9.6° (17%)     | 8.2° (14%)     | 7.2° (13%)     | 5.7° (10%)      | 12 in. (30 cm) |
| 8.0° (14%)     | 6.8° (12%)     | 6° (10%)       | 4.8° (8%)       | 10 in. (25 cm) |
| 7.2° (13%)     | 6.2° (11%)     | 5.4° (9%)      | —               | 9 in. (23 cm)  |
| 6.4° (11%)     | 5.5° (10%)     | 4.8° (8%)      | —               | 8 in. (20 cm)  |
| 5.6° (10%)     | 4.8° (8%)      | —              | —               | 7 in. (18 cm)  |
| 4.8° (8%)      | 4.1° (7%)      | —              | —               | 6 in. (15 cm)  |
| 4.0° (7%)      | —              | —              | —               | 5 in. (13 cm)  |
| 3.2° (5%)      | —              | —              | —               | 4 in. (10 cm)  |
| 2.4° (4%)      | —              | —              | —               | 3 in. (8 cm)   |
| —              | —              | —              | —               | 2 in. (5 cm)   |
| —              | —              | —              | —               | 1 in. (2.5 cm) |
| 6 ft. (183 cm) | 7 ft. (213 cm) | 8 ft. (244 cm) | 10 ft. (305 cm) |                |



° = degree of slope, degré de la pente, grado de inclinación, Neigungsgrad, hellingshoek, inclinazione della rampa  
 % = percent grade, pourcentage de l'inclinaison, grado porcentual, Prozent Steigung, stijgingspercentage, percentuale

## MULTI-FOLD RAMP

|  |   |
|--|---|
| Length, Longueur, Longitud, Gesamtlänge, Lengte, Lunghezza   | 10 ft. (305 cm), 8 ft. (244 cm), 7 ft. (213 cm), 6 ft. (183 cm)                                 |
| Width (Folded), Largeur (Repliée), Anchura (Plegada), Gesamtbreite (Zusammengeklappt), Breedte (Opgevouwen), Larghezza (Piegata) | 15 in. (36 cm)  |
| Width (Unfolded), Largeur (Dépliée), Anchura (Desplegada), Gesamtbreite (Aufgeklappt), Breedte (Uitgevouwen), Larghezza (Aperta) | 29 in. (72 cm)  |
| Weights, Poids, Pesos, Gewicht, Gewichten, Peso  | 6 ft. (36.5 lbs./16.5 kg), 7 ft. (44 lbs./20 kg), 8 ft. (51 lbs./23 kg), 10 ft. (64 lbs./29 kg) |
| Weight Capacity, Charge Utile, Capacidad de carga, Zuladung, Gewichtscapaciteit, Capacità di carico massima                      | 6 ft., 7 ft., 8 ft.: 600 lbs. (272 kg)<br>10 ft.: 500 lbs. (227 kg)                             |



# RAMP SPECIFICATIONS

| <b>SOLID RAMP</b>   |   |
|---|---|
| Length, Longueur, Longitud, Gesamtlänge, Lengte, Lunghezza  | 1.5 ft. (45.7 cm), 2 ft. (61 cm), 3 ft. (91 cm), 4 ft.(122 cm), 5 ft. (152 cm)  |
| Width, Largeur, Anchura, Gesamtbreit, Breedte, Larghezza  | 30 in. (76.2 cm)  |
| Weights, Poids, Pesos, Gewicht, Gewichten, Peso   | 1.5 ft. (9.5 lbs./4.3 kg), 2 ft. (12 lbs./5.4 kg), 3 ft. (17 lbs./7.7 kg), 4 ft. (21.5 lbs./9.8 kg), 5 ft. (25.5 lbs./ 11.6 kg) |
| Weight Capacity, Charge Utile, Capacidad de carga, Zuladung, Gewichtscapaciteit, Capacità di carico massima | 600 lbs. (272 kg)   |

| <b>SINGLE-FOLD RAMP</b>  |   |
|--|---|
| Length, Longueur, Longitud, Gesamtlänge, Lengte, Lunghezza   | 2 ft. (61 cm), 3 ft. (91 cm), 4 ft. (122 cm), 5 ft. (152 cm), 6 ft. (182 cm)  |
| Width (Folded), Largeur (Repliée), Anchura (Plegada), Gesamtbreite (Zusammengeklappt), Breedte (Opgevouwen), Larghezza (Piegata) | 14.75 in. (37.5 cm)   |
| Width (Unfolded), Largeur (Dépliée), Anchura (Desplegada), Gesamtbreite (Aufgeklappt), Breedte (Utigevouwen), Larghezza (Aperta) | 29.5 in. (75 cm)  |
| Weights, Poids, Pesos, Gewicht, Gewichten, Peso  | 2 ft. (13 lbs./5.4 kg), 3 ft. (18.5 lbs./7.7 kg), 4 ft. (21.5 lbs./9.8 kg), 5 ft. (25.5 lbs./ 11.6 kg), 6 ft. (35 lbs./15.9 kg) |
| Weight Capacity, Charge Utile, Capacidad de carga, Zuladung, Gewichtscapaciteit, Capacità di carico massima                      | 600 lbs. (272 kg)   |

